

### UTILITY AUGER AND BULK TANK AUGER SPECIFICATIONS

#### 4" UTILITY AUGER

HOUSING: 16 ga. (1.52 mm) galvanized tube  
 FLIGHT SHAFT: 1" (25 mm) high yield tube  
 FLIGHT GAUGE: 11 ga. (3 mm)  
 AUGER SHEAVE: 8" (20.3 cm) O.D. Sheave  
 {Use 2.5" (64 mm) O.D. Motor Sheave}

#### 6" UTILITY AUGER

HOUSING: 16 ga. (1.52 mm) welded galvanized tube  
 FLIGHT SHAFT: 1.25" (32 mm) high yield tube  
 FLIGHT GAUGE: 11 ga. (3 mm)  
 AUGER SHEAVE: 12" (30.5 cm) O.D. Sheave  
 ° Use 3.0" (76 mm) or 3.5" (89 mm) O.D. Motor Sheave  
 ° Optional 2-belt Drive

#### 8" UTILITY AUGER

HOUSING: 14 ga. (1.9 mm) welded galvanized tube  
 FLIGHT SHAFT: 1.9" (48 mm) O.D. High Strength Tubing  
 FLIGHT GAUGE: 7 ga. (4.5 mm)  
 AUGER SHEAVE: Two groove 12" (30.5 cm) O.D. Sheave  
 {Use 3.0" (76 mm) O.D. Motor Sheave}

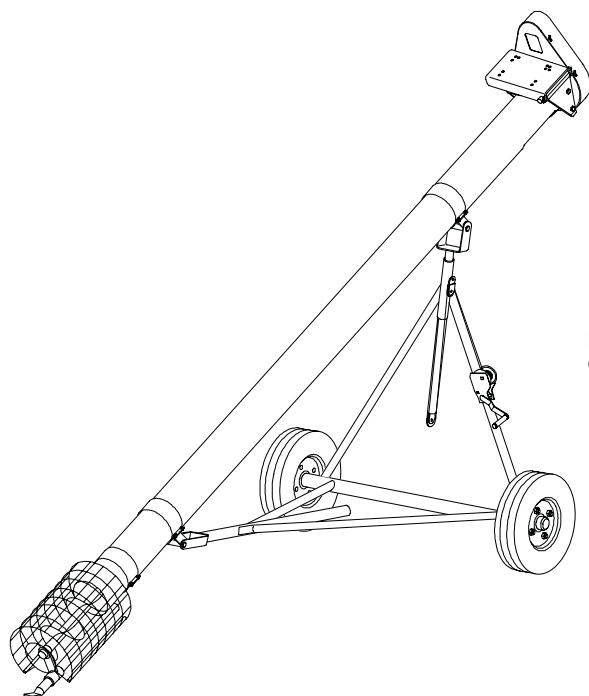
#### 10" UTILITY AUGER

HOUSING: 12 ga. (2.66 mm) welded galvanized tube  
 FLIGHT SHAFT: 2.375" (60 mm) O.D. High Strength Tubing  
 FLIGHT GAUGE: 7 ga. (4.5 mm)  
 AUGER SHEAVE: Two groove 15" (38.1 cm) O.D. Sheave  
 on 21' (6.4 m) & 31' (94.5 m); Three groove 15" (38.1 cm)  
 O.D. Sheave on 41' (12.50 m)  
 {Use 3.0" (76 mm) O.D. Motor Sheave}

### UTILITY HORSEPOWER REQUIREMENTS

SIZE	MAX. CAPACITY	AUGER RPM	POWER
4" x 11' 4" x 15' 4" x 20'	600 BPH (16 TPH)	700 to 875	1/2 HP (.37 kw) 1/2 HP (.37 kw) 3/4 HP (.55 kw)
6" x 11' 6" x 16' 6" x 21' 6" x 27' 6" x 33' 6" x 41'	1500 BPH (41 TPH)	400 to 650	3/4 HP (.55 kw) 1 HP (.75 kw) 2 HP (1.5 kw) 3 HP (2.2 kw) 5 HP (4 kw) 5 HP (4 kw)

SIZE	MAX. CAPACITY	AUGER RPM	POWER
8" x 11' 8" x 16' 8" x 21' 8" x 27' 8" x 33' 8" x 41' 8" x 53'	2500 BPH (68 TPH)	425 to 500	1 1/2 HP (1.1 kw) 2 HP (1.5 kw) 3 HP (2.2 kw) 3 HP (2.2 kw) 5 HP (4 kw) 5 HP (4 kw) 7 1/2 HP (5.5 kw)
10" x 21' 10" x 31' 10" x 41'	3600 BPH (97 TPH)	350 to 450	5 HP (4 kw) 7 1/2 HP (5.5 kw) 10 HP (7.5 kw)



Utility Auger  
 pictured with  
 optional undercarriage

### UTILITY AUGERS AND BULK TANK AUGERS

CATALOG NO.	DESCRIPTION	WEIGHT	LIST PRICE
<b>4" UTILITY AUGERS</b>			
F4011U	4" x 11' (10.2 cm x 3.35 m)	57 lbs. (26 kg)	\$ 493.00
F4015U	4" x 15' (10.2 cm x 4.57 m)	72 lbs. (33 kg)	584.00
F4020U	4" x 20' (10.2 cm x 6.10 m)	85 lbs. (39 kg)	649.00
<b>6" UTILITY AUGERS</b>			
F60110U	6" x 11' (15.2 cm x 3.35 m)	114 lbs. (52 kg)	750.00
F60160U	6" x 16' (15.2 cm x 5.05 m)	145 lbs. (66 kg)	842.00
F60210U	6" x 21' (15.2 cm x 6.40 m)	170 lbs. (77 kg)	914.00
F60270U	6" x 27' (15.2 cm x 8.23 m)	208 lbs. (94 kg)	1,035.00
F60330U	6" x 33' (15.2 cm 10.06 m)	240 lbs. (109 kg)	1,133.00
F60410U	6" x 41' (15.2 cm x 12.50 m)	280 lbs. (127 kg)	1,436.00
<b>8" UTILITY AUGERS</b>			
F80110U	8" x 11' (20.3 cm x 3.35 m)	187 lbs. (85 kg)	998.00
F80160U	8" x 16' (20.3 cm x 5.05 m)	230 lbs. (104 kg)	1,116.00
F80210U	8" x 21' (20.3 cm x 6.40 m)	261 lbs. (118 kg)	1,300.00
F80270U	8" x 27' (20.3 cm x 8.23 m)	337 lbs. (153 kg)	1,487.00
F80330U	8" x 33' (20.3 cm x 10.06 m)	394 lbs. (179 kg)	1,670.00
F80410U	8" x 41' (20.3 cm x 12.50 m)	497 lbs. (225 kg)	2,080.00
F80530U	8" x 53' (20.3 cm x 16.15 m)	611 lbs. (277 kg)	2,483.00
<b>10" UTILITY AUGERS</b>			
F10110U	10" x 11' (25.4 cm x 3.35 m)	368 lbs. (167 kg)	1,375.00
F10160U	10" x 16' (25.4 cm x 5.05 m)	451 lbs. (205 kg)	1,600.00
F10210U	10" x 21' (25.4 cm x 6.40 m)	551 lbs. (250 kg)	1,832.00
F10310U	10" x 31' (25.4 cm x 9.45 m)	741 lbs. (336 kg)	2,585.00
F10410U	10" x 41' (25.4 cm x 12.50 m)	956 lbs. (434 kg)	3,042.00

OPTIONAL 2 BELT DRIVE for 6" Augers,  
Add -2B to end of catalog number.  
Add \$79.00 to List Price.

**PRICE INCLUDES:**

- Tube and Flight
- Connection Band
- Flight Connection Stub

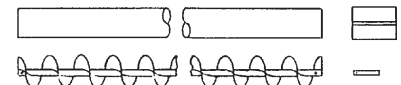
F60160UH - 6" x 16' Utility w/Hydraulic Drive.  
Add "H" for Utility Augers with Hydraulic Drive.  
Add \$ 251.00 to List Price for 6" & 8".  
Add \$1176.00 to List Price for 10".

CATALOG NO.	DESCRIPTION	WEIGHT	LIST PRICE
<b>4" BULK TANK AUGERS</b>			
F4011B	4" x 11' (10.2 cm x 3.35 m)	53 lbs. (24 kg)	\$ 415.00
F4015B	4" x 15' (10.2 cm x 4.57 m)	68 lbs. (31 kg)	506.00
F4020B	4" x 20' (10.2 cm x 6.10 m)	81 lbs. (37 kg)	571.00
<b>6" BULK TANK AUGERS</b>			
F60110B	6" x 11' (15.2 cm x 3.35 m)	96 lbs. (44 kg)	617.00
F60160B	6" x 16' (15.2 cm x 5.05 m)	127 lbs. (58 kg)	707.00
F60210B	6" x 21' (15.2 cm x 6.40 m)	152 lbs. (69 kg)	781.00
F60270B	6" x 27' (15.2 cm x 8.23 m)	187 lbs. (85 kg)	901.00
F60330B	6" x 33' (15.2 cm x 10.06 m)	219 lbs. (99 kg)	1,000.00
F60410B	6" x 41' (15.2 cm x 12.50 m)	259 lbs. (117 kg)	1,304.00
<b>8" BULK TANK AUGERS</b>			
F80110B	8" x 11' (20.3 cm x 3.35 m)	159 lbs. (72 kg)	838.00
F80160B	8" x 16' (20.3 cm x 5.05 m)	202 lbs. (92 kg)	958.00
F80210B	8" x 21' (20.3 cm x 6.40 m)	233 lbs. (106 kg)	1,141.00
F80270B	8" x 27' (20.3 cm x 8.23 m)	309 lbs. (140 kg)	1,325.00
F80330B	8" x 33' (20.3 cm x 10.06 m)	366 lbs. (166 kg)	1,505.00
F80410B	8" x 41' (20.3 cm x 12.50 m)	469 lbs. (213 kg)	1,917.00

\* These units are furnished less intake guards. THEY ARE TO BE USED ONLY IN A BULK TANK. If removed from bulk tank, order an Intake Guard and install it prior to other use.

<b>HYDRAULIC DRIVE KITS</b>			
CATALOG NO.	DESCRIPTION	WEIGHT	LIST PRICE
1008489	6" Drive Kits	54 lbs. (24 kg)	\$ *PPB
1010862	8" Drive Kits	54 lbs. (24 kg)	*PPB
1009874	10" Drive Kits	69 lbs. (31 kg)	*PPB

CATALOG NO.	DESCRIPTION	ADDITIONAL POWER	WEIGHT	LIST PRICE
<b>4" AUGER EXTENSIONS</b>				
N4181A	4" x 5' Ext (10.2 cm x 1.52 m)	0	25 lbs. (11 kg)	\$169.00
N4182A	4" x 10'-6" Ext (10.2 cm x 3.20 m)	1/4 HP (.18 kw)	47 lbs. (21 kg)	242.00
N4183A	4" x 19'-6" Ext (10.2 cm x 5.94 m)	1/2 HP (.37 kw)	87 lbs. (39 kg)	395.00
<b>6" AUGER EXTENSIONS</b>				
H17050A	6" x 5' Ext (15.2 cm x 1.52 m)	1/2 HP (.37 kw)	45 lbs. (20 kg)	232.00
H17100A	6" x 10' Ext (15.2 cm x 3.05 m)	3/4 HP (.55 kw)	79 lbs. (36 kg)	357.00
H17150A	6" x 15' Ext (15.2 cm x 4.57 m)	1 HP (.75 kw)	112 lbs. (51 kg)	491.00
H17200A	6" x 20' Ext (15.2 cm x 6.10 m)	1-1/2 HP (1.1 kw)	145 lbs. (66 kg)	623.00
<b>8" AUGER EXTENSIONS</b>				
H1905A	8" x 5' Ext (20.3 cm x 1.52 m)	3/4 HP (.55 kw)	76 lbs. (34 kg)	357.00
H1906A	8" x 10' Ext (20.3 cm x 3.05 m)	1-1/2 HP (1.1 kw)	119 lbs. (54 kg)	518.00
H1907A	8" x 15' Ext (20.3 cm x 4.57 m)	2 HP (1.5 kw)	169 lbs. (77 kg)	682.00
H1908A	8" x 20' Ext (20.3 cm x 6.10 m)	3 HP (2.2 kw)	217 lbs. (98 kg)	844.00
<b>10" AUGER EXTENSIONS</b>				
H2105A	10" x 5' Ext (25.4 cm x 1.52 m)	1 HP (.75 kw)	123 lbs. (56 kg)	509.00
H2106A	10" x 10' Ext (25.4 cm x 3.05 m)	2 HP (1.5 kw)	202 lbs. (92 kg)	771.00
H2107A	10" x 15' Ext (25.4 cm x 4.57 m)	3 HP (2.2 kw)	302 lbs. (137 kg)	988.00
H2108A	10" x 20' Ext (25.4 cm x 6.10 m)	5 HP (4 kw)	379 lbs. (172 kg)	1,192.00



NOTE: Extension HP requirement must be added to basic HP requirement for total HP needs.

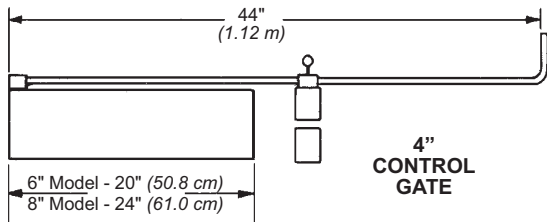
\*PPB - See 2010 Parts Price Book for List Price

## UTILITY AUGER ACCESSORIES

### SPOUTS



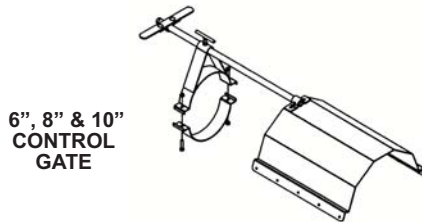
CATALOG NO.	DESCRIPTION	WEIGHT	PRICE
F4052A	Spout Adapt - 4" 90 Deg. w/2' flex	5 lbs. (2.3 kg)	\$62.00
N4125A	Spout Adapt - 4" 90 Deg.	2 lbs. (0.9 kg)	30.00
H1607A	Spout Adapt - 6" 90 Deg.	6 lbs. (2.7 kg)	43.00
H1807A	Spout Adapt - 8" 90 Deg.	12 lbs. (5.4 kg)	65.00
H2007A	Spout Adapt - 10" 90 Deg.	18 lbs. (8.2 kg)	93.00



### CONTROL GATE

CATALOG NO.	DESCRIPTION	WEIGHT	PRICE
N4057A	Control Gate - 4"	5 lbs. (2.3 kg)	\$ 99.00
H16110A	Control Gate - 6"	10 lbs. (4.5 kg)	184.00
H18110A	Control Gate - 8"	14 lbs. (6.4 kg)	201.00
H20110A	Control Gate - 10"	18 lbs. (8.2 kg)	223.00

NOTE: The control gate must be used with an intake guard in place.



6", 8" & 10"  
CONTROL  
GATE

### HOPPER



4" METAL HOPPER  
measures 24" (61.0 cm)  
wide x 24" (61.0 cm) long  
x 14" (35.6 cm) deep.

PLASTIC HOPPER  
measures 42" (1.07 m)  
wide x 48" (1.22 m) long  
x 19" (48.3 cm) deep.

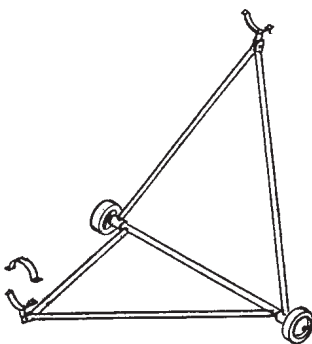
CATALOG NO.	DESCRIPTION	WEIGHT	PRICE
F4050A	4" Metal Hopper	13 lbs. (5.9 kg)	\$ 104.00
A6206A	6" & 8" Plastic Hopper	18 lbs. (8.2 kg)	127.00

### UNDERCARRIAGE

Without winch - includes 10" (25.4 cm) wheel

CATALOG NO.	DESCRIPTION	WEIGHT	PRICE
F4060A	Undercarriage - 4"	46 lbs. (21 kg)	\$ 508.00
F1140C	Undercarriage - 6"	48 lbs. (22 kg)	508.00
F1240C	Undercarriage - 8"	47 lbs. (21 kg)	534.00

NOTE: The undercarriages are designed for use with one piece housing {units up to 21' (6.40 m) long}.



See page 1 for Undercarriage  
with Winch.

### UNDERCARRIAGE

Includes winch and 15" (38.1 cm) rims

CATALOG NO.	DESCRIPTION	WEIGHT	PRICE
F6061A	Undercarriage - 6"	202 lbs. (92 kg)	\$1,264.00
F8061A	Undercarriage - 8"	203 lbs. (92 kg)	1,189.00
F1340C	Undercarriage - 10"	207 lbs. (94 kg)	1,304.00

NOTE: The undercarriages are designed for use with one piece housing {units up to 33' (10.06 m) long}. See drawing on page 1.

