

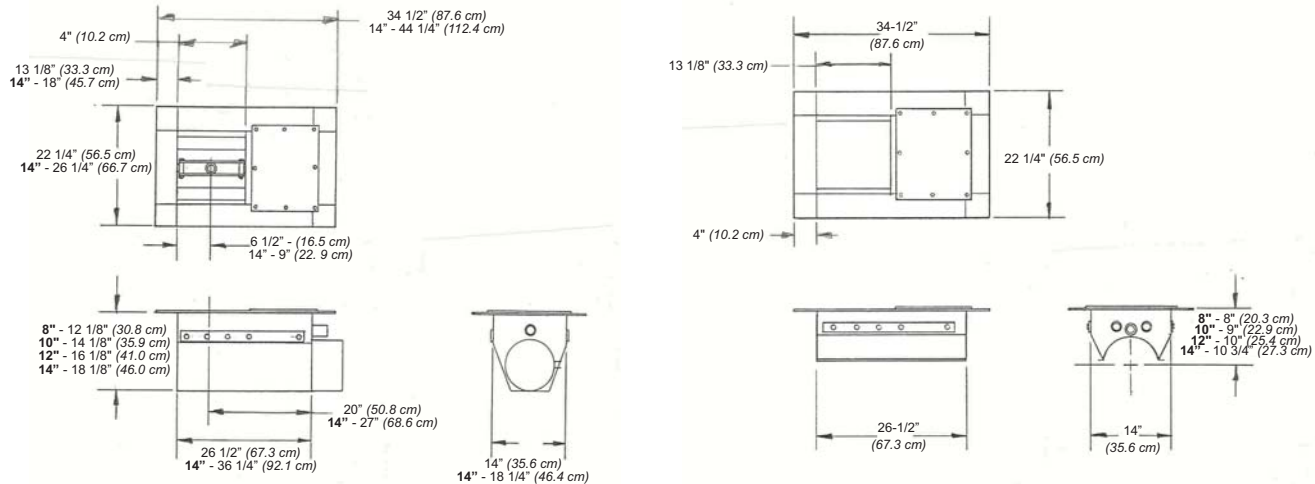
COMMERCIAL BIN UNLOADING SERIES

This is an unloading system available in 8", 10" and 12" (20.8 cm, 25.4 cm and 30.5 cm) for commercial applications and larger diameter grain bins. All components of this series are designed for demanding commercial application. 8" and 10" (20.3 cm and 25.4 cm) unloading systems are available for bin diameters from 24' thru 92' (7.32 m thru 28.04 m) and 12" (30.5 cm) from 24' through 120' (7.32 m through 36.58 m). Even in the smaller bins we recommend consideration of this series. The application and anticipated useage level should be your guide in selection.

All bin wells are constructed of heavier gauges and the heavy gates operate on rollers. Rack and pinion openers are available for center and intermediate wells.

COMMERCIAL WELLS

All wells are painted material and furnished with full gate which operates on rollers.



CENTER WELL

Catalog No.	Description	Weight	List Price
BJ0803W	8" (20.3 cm) Center Well	74 lbs. (34 kg)	\$ 395.00
BJ1003W	10" (25.4 cm) Center Well	76 lbs. (34 kg)	437.00
BJ1203W	12" (30.5 cm) Center Well	80 lbs. (36 kg)	586.00
BJ1403W	14" (35.6 cm) Center Well	90 lbs. (41 kg)	557.00

NOTE: Center Wells cannot be shipped via UPS.

INTERMEDIATE WELL

Catalog No.	Description	Weight	List Price
BJ0804W	8" (20.3 cm) Int. Well	52 lbs. (24 kg)	\$ 341.00
BJ1004W	10" (25.4 cm) Int. Well	53 lbs. (24 kg)	355.00
BJ1204W	12" (30.5 cm) Int. Well	54 lbs. (24 kg)	409.00
BJ1404W	14" (35.6 cm) Int. Well	70 lbs. (32 kg)	428.00

CONTROL PIPE KITS FOR COMMERCIAL BIN WELLS

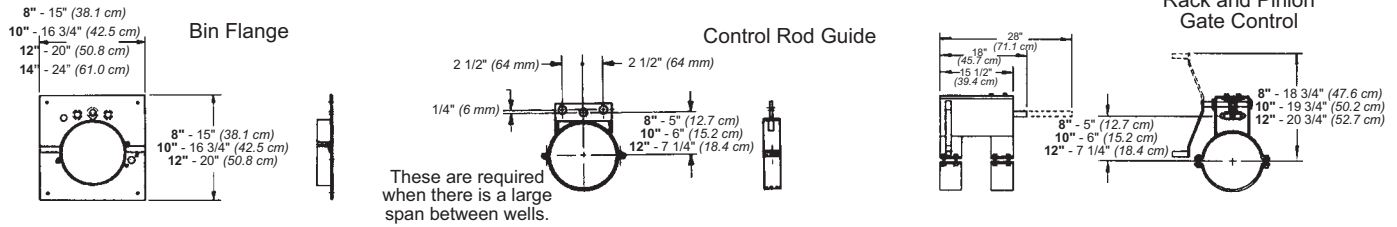
The Commercial Series is designed with one 1/2" (13 mm) pipe to the center well. An additional 1/2" (13 mm) pipe on each side of the center gate pull allows individual control of intermediate wells. Rack and Pinion Control (below) makes gate operation easy.

Each kit includes the pipe necessary to control the gates as described above. Kit may be used on 8", 10" or 12" (20.3 cm, 25.4 cm or 30.5 cm) systems.

Catalog No.	Bin Dia.	Weight	List Price
BJ1224C	24' (7.32 m)	20 lbs. (9 kg)	\$ 110.00
BJ1227C	27' (8.23 m)	22 lbs. (10 kg)	113.00
BJ1230C	30' (9.14 m)	24 lbs. (11 kg)	124.00
BJ1233C	33'-34' (10.06-10.36 m)	27 lbs. (12 kg)	139.00
BJ1236C	36' (10.97 m)	34 lbs. (15 kg)	149.00
BJ1237C	37'-39' (11.28-11.89 m)	37 lbs. (17 kg)	153.00
BJ1240C	40' (12.19 m)	38 lbs. (17 kg)	165.00
BJ1242C	42' (12.80 m)	39 lbs. (18 kg)	175.00
BJ1248C	48'-49' (14.63-14.94 m)	45 lbs. (20 kg)	197.00
BJ1254C	54'-55' (16.46-16.96 m)	51 lbs. (23 kg)	233.00
BJ1260C	60' (18.29 m)	53 lbs. (24 kg)	248.00
BJ1263C	63' (19.20 m)	60 lbs. (27 kg)	270.00

Catalog No.	Bin Dia.	Weight	List Price
BJ1268C	68'-69' (20.73-21.03 m)	63lbs. (29 kg)	\$ 298.00
BJ1272C	72' (21.95 m)	66 lbs. (30 kg)	310.00
BJ1275C	75' (22.86 m)	72 lbs. (33 kg)	320.00
BJ1278C	78' (23.77 m)	73 lbs. (33 kg)	337.00
BJ1280C	80' (24.38 m)	75 lbs. (34 kg)	350.00
BJ1282C	82' (24.99 m)	77 lbs. (35 kg)	377.00
BJ1290C	90' (27.43 m)	85 lbs. (39 kg)	419.00
BJ1292C	92' (28.04 m)	92 lbs. (42 kg)	458.00
BJ1297C	105' (32.00 m)	105 lbs. (48 kg)	528.00
BJ1298C	113' (34.44 m)	111 lbs. (50 kg)	548.00
BJ1299C	120' (36.58 m)	117 lbs. (53 kg)	578.00

BIN WELL ACCESSORIES



Description	8" (20.3 cm)			10" (25.4 cm)			12" (30.5 cm)		
	Catalog No.	Weight	List Price	Catalog No.	Weight	List Price	Catalog No.	Weight	List Price
Bin Flange	B1219C	5 lbs. (2 kg)	\$ 35.00	BJ1001W	7 lbs. (3 kg)	\$ 46.00	BJ1201W	8 lbs. (4 kg)	\$ 98.00
Rack & Pinion Control	BJ0802W	32 lbs. (15 kg)	316.00	BJ1002W	33 lbs. (15 kg)	366.00	BJ1202W	34 lbs. (15 kg)	376.00
Rack & Pinion Control 18" (45.7 cm) Stroke	BJ0806W	36 lbs. (16 kg)	345.00	BJ1006W	37 lbs. (17 kg)	380.00	BJ1206W	38 lbs. (17 kg)	387.00
Control Rod Guide	BJ0805W	3 lbs. (1 kg)	53.00	BJ1005W	3 lbs. (1 kg)	41.00	BJ1205W	4 lbs. (2 kg)	52.00

Description	14" (35.6 cm)		
	Catalog No.	Weight	List Price
Bin Flange	BJ1401W	10 lbs. (5 kg)	\$ 109.00
Rack & Pinion Control	BJ1402W	42 lbs. (19 kg)	412.00
Control Rod Guide	BJ1405W	6 lbs. (3 kg)	111.00

COMMERCIAL UNLOADING TUBES

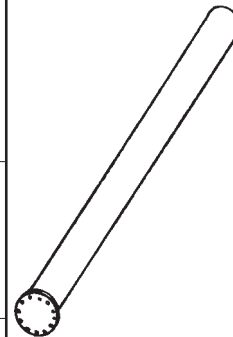
All unloading tubes are flanged and caps are furnished. The 8" (20.3 cm) tubes are 14 gauge (1.9 mm) galvanized; 10" (25.4 cm) and 12" (30.5 cm) tubes are 12 gauge (2.66 mm) galvanized.

Bin Dia.	Tube Length	Req. No. Int. Wells	8" (20.3 cm)			10" (25.4 cm)		
			Catalog Number	Wt.	List Price	Catalog Number	Wt.	List Price
24' (7.32 m)	12'-6" (3.81 m)	2	BT081206	76 lbs. (34 kg)	\$ 252.00	BT101206	144 lbs. (65 kg)	\$ 454.00
27' (8.23 m)	14'-0" (4.27 m)	2	BT081400	87 lbs. (39 kg)	279.00	BT101400	159 lbs. (72 kg)	518.00
30' (9.14 m)	15'-6" (4.72 m)	2	BT081506	96 lbs. (44 kg)	304.00	BT101506	189 lbs. (86 kg)	567.00
33'-34' (10.06-10.36m)	17'-6" (5.33 m)	2	BT081706	111 lbs. (50 kg)	336.00	BT101706	197 lbs. (89 kg)	626.00
36' (10.97 m)	18'-6" (5.64 m)	3	BT081806	114 lbs. (52 kg)	352.00	BT101806	219 lbs. (99 kg)	655.00
37'-39' (11.28-11.89 m)	20'-0" (6.10 m)	3	BT082000	123 lbs. (56 kg)	392.00	BT102000	234 lbs. (106 kg)	680.00
40' (12.19 m)	21'-0" (6.40 m)	3	BT082100	132 lbs. (60 kg)	410.00	BT102100	235 lbs. (107 kg)	711.00
42' (12.80 m)	22'-0" (6.71 m)	4	BT082200	134 lbs. (61 kg)	428.00	BT102200	264 lbs. (120 kg)	745.00
48'-49' (14.63-14.94 m)	25'-0" (7.62 m)	4	BT082500	153 lbs. (69 kg)	477.00	BT102500	299 lbs. (136 kg)	845.00
54'-55' (16.46-16.76 m)	28'-0" (8.53 m)	4	BT082800	170 lbs. (77 kg)	544.00	BT102800	311 lbs. (141 kg)	954.00
60' (18.29 m)	31'-0" (9.45 m)	4	BT083100	198 lbs. (90 kg)	601.00	BT103100	389 lbs. (176 kg)	1,054.00
63' (19.20 m)	32'-6" (9.91 m)	4	BT083206	210 lbs. (95 kg)	626.00	BT103206	406 lbs. (184 kg)	1,108.00
68'-69' (20.73-21.03 m)	35'-6" (10.82 m)	4	BT083506	230 lbs. (104 kg)	674.00	BT103506	451 lbs. (205 kg)	1,133.00
72' (21.95 m)	37'-0" (11.28 m)	4	BT083700	236 lbs. (107 kg)	701.00	BT103700	464 lbs. (210 kg)	1,254.00
75' (22.86 m)	38'-6" (11.73 m)	4	BT083806	248 lbs. (112 kg)	725.00	BT103806	481 lbs. (218 kg)	1,295.00
78' (23.77 m)	40'-6" (12.34 m)	4	BT084006	256 lbs. (116 kg)	777.00	BT104006	509 lbs. (231 kg)	1,364.00
80' (24.38 m)	42'-6" (12.95 m)	4	BT084206	265 lbs. (120 kg)	808.00	BT104206	521 lbs. (236 kg)	1,430.00
82' (24.99 m)	43'-6" (13.26 m)	4	BT084306	275 lbs. (125 kg)	804.00	BT104306	544 lbs. (247 kg)	1,539.00
90' (27.43 m)	47'-6" (14.48 m)	4	BT084706	300 lbs. (136 kg)	894.00	BT104706	574 lbs. (260 kg)	1,610.00
92' (28.04 m)	48'-6" (14.78 m)	5	BT084806	303 lbs. (137 kg)	907.00	BT104806	596 lbs. (270 kg)	1,643.00

COMMERCIAL UNLOADING TUBES

All unloading tubes are flanged and caps are furnished. The 12" (30.5 cm) tubes are 12 gauge (2.66 mm) galvanized.

Bin Dia.	Tube Length	Req. No. Int. Wells	12" (30.5 cm)		
			Catalog Number	Wt.	List Price
24' (7.32 m)	12'-6" (3.81 m)	2	BT121206	187 lbs. (85 kg)	\$ 693.00
27' (8.23 m)	14'-0" (4.27 m)	2	BT121400	196 lbs. (89 kg)	755.00
30' (9.14 m)	15'-6" (4.72 m)	2	BT121506	217 lbs. (98 kg)	818.00
33'-34' (10.06-10.36 m)	17'-6" (5.33 m)	2	BT121706	245 lbs. (111 kg)	943.00
36' (10.97 m)	18'-6" (5.64 m)	3	BT121806	265 lbs. (120 kg)	998.00
37'-39' (11.28-11.89 m)	20'-0" (6.10 m)	3	BT122000	280 lbs. (127 kg)	1,042.00
40' (12.19 m)	21'-0" (6.40 m)	3	BT122100	294 lbs. (133 kg)	1,076.00
42' (12.80 m)	22'-0" (6.71 m)	4	BT122200	308 lbs. (140 kg)	1,093.00
48'-49' (14.63-14.94 m)	25'-0" (7.62 m)	4	BT122500	350 lbs. (159 kg)	1,227.00
54'-55' (16.46-16.76 m)	28'-0" (8.53 m)	4	BT122800	392 lbs. (178 kg)	1,394.00
60' (18.29 m)	31'-0" (9.45 m)	4	BT123100	434 lbs. (197 kg)	1,593.00
63' (19.20 m)	32'-6" (9.91 m)	4	BT123206	491 lbs. (223 kg)	1,663.00
68'-69' (20.73-21.03 m)	35'-6" (10.82 m)	4	BT123506	533 lbs. (242 kg)	1,759.00
72' (21.95 m)	37'-0" (11.28 m)	4	BT123700	554 lbs. (251 kg)	1,967.00
75' (22.86 m)	38'-6" (11.73 m)	4	BT123806	575 lbs. (261 kg)	2,029.00
78' (23.77 m)	40'-6" (12.34 m)	4	BT124006	603 lbs. (274 kg)	2,048.00
80' (24.38 m)	42'-6" (12.95 m)	4	BT124206	631 lbs. (286 kg)	2,132.00
82' (24.99 m)	43'-6" (13.26 m)	5	BT124306	645 lbs. (293 kg)	2,160.00
90' (27.43 m)	47'-6" (14.48 m)	4	BT124706	701 lbs. (318 kg)	2,302.00
92' (28.04 m)	48'-6" (14.78 m)	5	BT124806	715 lbs. (324 kg)	2,350.00
105' (32.00 m)	55'-0" (16.76 m)	5	BT125500	806 lbs. (366 kg)	2,665.00
113' (34.44 m)	59'-0" (17.98 m)	6	BT125900	862 lbs. (391 kg)	2,860.00
120' (36.58 m)	62'-6" (19.05 m)	6	BT126206	949 lbs. (430 kg)	3,065.00



14" (35.66 cm) COMMERCIAL BIN

The following are kits that include unloading tube, flight, center well, intermediate wells, rack & pinion control for well gates connecting pipes and bin flange.

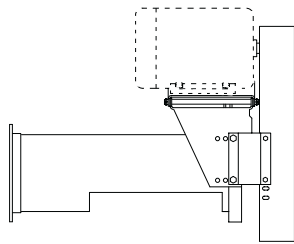
Catalog No.	Bin Dia.	No. of Int. Wells	Unloading Tube Length	Center of Bin to Tube Flange	List Price
BW14360	36' (10.97 m)	3	18'-9" (5.72 m)	21'-0" (6.40 m)	\$ 3,986.00
BW14420	42' (12.80 m)	3	21'-9" (6.63 m)	24'-0" (7.32 m)	4,187.00
BW14480	48' (14.63 m)	4	24'-9" (7.54 m)	27'-0" (8.23 m)	4,788.00
BW14540	54' (16.46 m)	4	27'-9" (8.46 m)	30'-0" (9.14 m)	5,347.00
BW14600	60' (18.29 m)	4	30'-9" (9.37 m)	33'-0" (10.06 m)	5,510.00
BW14720	72' (21.95 m)	5	36'-9" (11.20 m)	39'-0" (11.89 m)	6,282.00
BW14750	75' (22.86 m)	5	38'-9" (11.81 m)	41'-0" (12.50 m)	6,485.00
BW14780	78' (23.77 m)	5	39'-9" (12.12 m)	42'-0" (12.80 m)	6,581.00
BW14900	90' (27.43 m)	6	45'-9" (13.94 m)	48'-0" (14.63 m)	7,347.00
BW14920	92' (28.04 m)	6	46'-9" (14.25 m)	49'-0" (14.94 m)	7,652.00

14" (35.66 cm) COMMERCIAL POWER

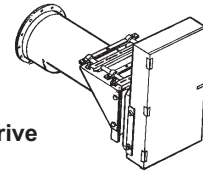
14" (35.6 cm) Horizontal power heads - 14" x 36" (35.6 cm x 91.4 cm) 12 ga. (2.66 mm) painted tube with flange. Head flight is 1/4 inch (6 mm) . Direct drive includes 20.0" (50.8 cm) P.D. sheave. Use 5.0" (12.7 cm) P.D. motor sheave for 440 RPM.

Catalog No.	Description	List Price
BJ1436DH	Direct Drive, 3-Belt, bins 36' to 72' (10.97 m to 21.95 m)	\$ 1763.00
BJ1475DH	Direct Drive, 4-Belt, bins 75' to 92' (22.86 m to 28.04 m)	1,814.00
BJ1436DHR	Reducer Drive, 3-Belt, bins 36' to 72' (10.97 m to 21.95 m)	4,425.00
BJ1475DHR	Reducer Drive, 4-Belt, bins 75' to 92' (22.86 m to 28.04 m)	4,580.00

COMMERCIAL POWER HEADS



Direct Belt Drive



Reducer Drive

8" (20.3 cm) HORIZONTAL POWER HEAD DIRECT BELT DRIVE

8" x 24" (20.3 cm x 61 cm) 14 ga. (1.9 mm) galvanized tube with flange. Head Flight is 7 ga. (4.5 mm) mounted on 1.9" (48 mm) O.D. tube. For 2-Belt Drive a 15" (38.1 cm) auger sheave is provided. Use 3-1/2" (8.9 cm) O.D. motor sheave for 408 RPM. For 3-Belt Drive an 18.4" (46.7 cm) auger sheave is provided. Use 4-1/2" (11.4 cm) O.D. motor sheave. Capacity up to 2000 BPH (54 TPH).

Catalog No.	Bin Dia.	No. of Drive Belts	Max. Power HP (kw)	Wt. lbs. (kg)	List Price
BJ08240DH	24' - 48' (7.32-14.63 m)	2	7-1/2 (5.5)	86 (39)	\$ 558.00
BJ08540DH	54' - 78' (16.46-23.77 m)	3	15 (11 kw)	91 (41)	775.00

See pg. 7 for horizontal unloading flight and power requirements for a bin diameter. When using the power head with a power sweep, use the power listed for the power sweep. For Power Head Ext. add \$46.00/ft.

10" (25.4 cm) HORIZONTAL POWER HEAD DIRECT BELT DRIVE

10" x 30" (25.4 cm x 76.2 cm) 12 ga. (2.66 mm) galvanized tube with flange. Head Flight is 1/4" (6 mm) mounted on 2-3/8" (60 mm) O.D. tube. 18.4" (46.7 cm) P.D. auger sheave. Use 4.6" (11.7 cm) P.D. motor sheave for 438 RPM. Capacity up to 4000 BPH (108 TPH).

Catalog No.	Bin Dia.	No. of Drive Belts	Max. Power HP (kw)	Wt. lbs. (kg)	List Price
BJ10240DH	24' - 63' (7.32-10.20 m)	2	10 (7.5)	150 (68)	\$ 957.00
BJ10680DH	68' - 92' (20.73-28.04 m)	3	15 (11)	165 (75)	988.00
BJ10930DH	---	4	20 (15)	175 (79)	1,098.00

See pg. 7 for horizontal unloading flight and power requirements for a bin diameter. When using this power head with a power sweep, use the power listed for the power sweep. For Power Head Ext. add \$68.00/ft.

10" (25.4 cm) HORIZONTAL POWER HEAD REDUCER CHAIN & GEAR DRIVE

10" x 30" (25.4 cm x 76.2 cm) 12 ga. (2.66 mm) galvanized tube with flange. Head Flight is 1/4" (6 mm) mounted on 2-3/8" (60 mm) O.D. tube. 7.4" (18.8 cm) driven sheave. For chain drive, use 3.8" (97 mm) P.D. motor sheave for 312 RPM and capacity up to 3500 BPH (95 TPH) or use 4.6" (11.7 cm) P.D. motor sheave for 375 RPM and capacity up to 4000 BPH (108 TPH).

Catalog No.	Bin Dia.	No. of Drive Belts	Maximum Power Motor Sheave		Wt. lbs. (kg)	List Price
			3.8 (97 mm) HP (kw)	4.6 (11.7 cm) HP (kw)		
BJ1024DHR	24' - 48' (7.32-14.63 m)	2	7-1/2 (5.5)	10 (7.5)	198 (90)	\$1,479.00
BJ1048DHR	54' - 78' (16.46-23.77 m)	3	10 (7.5)	15 (11)	202 (92)	1,633.00
BJ1048DGR (Gear Drive - 295 RPM)	24'-92' (7.32-28.04 m)	4	Motor Sheave - 5.0" P.D. (12.7 cm) 25 HP (18.5 kw)		315 (143)	2,300.00

See pg. 7 for horizontal unloading flight and power requirements for a bin diameter. When using this power head with a power sweep, use the power listed for the power sweep. For Power Head Ext. add \$68.00/ft.

12" (30.5 cm) HORIZONTAL POWER HEAD

Includes a 12" x 30" (30.5 cm x 76.2 cm) long gauge galvanized tube with flange. The head flight is 7 ga. (4.5 mm) mounted on 2-7/8" (73 mm) tube.

12" (30.5 cm) Direct Drive Power Head includes 18.4" (46.7 cm) P.D. sheave. Use 4.2" (10.7 cm) P.D. motor sheave for 425 RPM up to 6,000 BPH (162 TPH) capacity.

Catalog No.	Bin Dia.	Number Drive Belts	Max. Power HP (kw)	Wt. lbs. (kg)	List Price
BJ12240DH	24' - 42' (7.32-12.80 m)	2	10 (7.5)	200 (91)	\$1,408.00
BJ12480DH	48' - 68' (14.63-20.73 m)	3	15 (11)	215 (98)	1,454.00
BJ12720DH	72' - 90' (21.05-27.43 m)	4	20 (15)	225 (102)	1,517.00

See pg. 7 for horizontal unloading flight and power requirements for a bin diameter. When using this power head with a power sweep, use the power listed for the power sweep. For Power Head Ext. add \$101.00/ft.

12" (30.5 cm) 3-1 Reduction Chain Drive Power Head includes 7.4" (18.8 cm) P.D. sheave. Use 3.8" (97 mm) P.D. motor sheave for 312 RPM. For faster 375 RPM, use 4.6" (11.7 cm) P.D. motor sheave. Capacities up to 5,000 BPH (135 TPH).

Catalog No.	Bin Dia.	No. of Drive Belts	Maximum Power		Wt.	List Price
			3.8" (97 mm) Motor Sheave	4.6" (11.7 cm) Motor Sheave		
BJ12240DCR	24' - 30' (7.32-9.14 m)	2	7-1/2 HP (5.5 kw)		230 (104 kg)	\$1,756.00
	24' - 42' (7.32-12.80 m)	2		10 HP (7.5 kw)		
BJ12330DCR	33' - 48' (10.06-14.63 m)	3	10 HP (7.5 kw)		233 lbs. (106 kg)	1,828.00
	42' - 68' (12.80-20.73 m)	3		15 HP (11 kw)		

See pg. 7 for horizontal unloading flight and power requirements for a bin diameter. When using this power head with a power sweep, use the power listed for the power sweep. For Power Head Ext. add \$101.00/ft.

12" (30.5 cm) 4-1 Reduction Gear Drive Power Head includes 7.4" (18.8 cm) P.D. sheave. Use 4.6" (11.7 cm) P.D. motor sheave for 280 RPM. For faster 360 RPM, use 6.0" (15.2 cm) P.D. motor sheave. Capacities up to 5,000 BPH (135 TPH).

Catalog No.	Bin Dia.	No. of Drive Belts	Maximum Power		Wt.	List Price
			4.6" (11.7 cm) Motor Sheave	6.0" (15.2 cm) Motor Sheave		
BJ12240DGR	24' - 42' (7.32-12.80m)	2	10 HP (7.5 kw)		295 lbs. (134 kg)	\$2,309.00
	24' - 90' (7.32-27.43 m)	2		15 HP (11 kw)		
BJ12480DGR	42' - 68' (12.80-20.73 m)	3	15 HP (11 kw)		300 lbs. (136 kg)	2,385.00
	68' - 90' (20.73-27.43 m)	3		20 HP (15 kw)		
BJ12920DGR	92'-120' (28.04-36.58 m)	4	25 HP (18.5 kw)		305 lbs. (138 kg)	2,480.00

See pg. 7 for horizontal unloading flight and power requirements for a bin diameter. When using this power head with a power sweep, use the power listed for the power sweep. For Power Head Ext. add \$101.00/ft.

8" to 10" (20.3 cm to 25.4 cm) HEAVY DUTY 25° BIN UNLOADERS

Includes a 25° "box" transfer unit containing a short flight between two u-joints, 10" (25.4 cm) 12 gauge (2.66 mm) galvanized inclined tube 5' (1.52 m) long with auger, motor mount, direct drive with 15.0" (38.1 cm) O.D. sheave, belts, guard and support stand. The unit will attach to an 8" (20.3 cm) flanged bin unloading tube and auger, or to an 8" (20.3 cm) power sweep. Use a 4.0 (10.2 cm) O.D. motor sheave for 467 RPM and maximum capacity of 2,500 BPH (68 TPH).

Catalog No.	Number of Drive Belts	Maximum Power	Weight	List Price
B126700B	2	7-1/2 HP (5.5 kw)	260 lbs. (118 kg)	\$ 2,120.00
B126710B	3	10 HP (7.5 kw)	266 lbs. (121 kg)	2,167.00
B126720B	4	15 HP (11 kw)	276 lbs. (125 kg)	2,248.00

10" to 12" (25.4 cm to 30.5 cm) HEAVY DUTY 25° BIN UNLOADERS

Includes a 25° "box" transfer unit containing a short flight between two u-joints, 12" (30.5 cm) 12 gauge (2.66 mm) galvanized inclined tube 5' (1.52 m) long with auger, motor mount, direct drive with 18.4" (46.7 cm) P.D. sheave, belts, guard and support stand. The unit will attach to a 10" (25.4 cm) flanged bin unloading tube and auger, or to a 10" (25.4 cm) power sweep. Use a 4.6" (11.7 cm) P.D. motor sheave for 460 RPM and maximum capacity of 4,000 BPH (108 TPH).

Catalog No.	Number of Drive Belts	Maximum Power	Weight	List Price
B136700B	2	10 HP (7.5 kw)	350 lbs. (159 kg)	\$ 2,660.00
B136710B	3	15 HP (11 kw)	360 lbs. (163 kg)	2,703.00
B136720B	4	25 HP (18.5 kw)	370 lbs. (168 kg)	2,777.00

12" to 14" (30.5 cm to 35.6 cm) HEAVY DUTY 25° BIN UNLOADERS

Includes a 25° "box" transfer unit containing a short flight between two u-joints, 14" (35.6 cm) 12 gauge (2.66 mm) painted inclined tube 5' (1.52 m) long with auger, motor mount, direct drive or gear reducer drive, sheaves, belts, and support stand. The unit will attach to a 12" (30.5 cm) flanged bin unloading tube and auger. Maximum capacity range from 5,000 to 6,000 BPH (135 to 162 TPH).

Catalog No.	Drive Type	Maximum Power	*Driver Pulley	Driven Pulley	Auger Speed	Weight	List Price
B146300B	Direct 2-Belt	10 HP (7.5 kw)	5.0" (12.7 cm) P.D.	20.0" (50.8 cm) P.D.	460	420 lbs. (191 kg)	\$ 3,162.00
B146310B	Direct 3-Belt	20 HP (15 kw)	5.0" (12.7 cm) P.D.	20.0" (50.8 cm) P.D.	460	430 lbs. (195 kg)	3,252.00
B146320B	Direct 4-Belt	25 HP (18.5 kw)	5.0" (12.7 cm) P.D.	20.0" (50.8 cm) P.D.	460	440 lbs. (200 kg)	3,339.00
B14621B	4-1 Red. 2-Belt	10 HP (7.5 kw)	5.0" (12.7 cm) P.D.	7.4" (18.8 cm) P.D.	300	530 lbs. (240 kg)	4,126.00
B14631B	4-1 Red. 3-Belt	20 HP (15 kw)	5.0" (12.7 cm) P.D.	7.4" (18.8 cm) P.D.	300	540 lbs. (245 kg)	4,183.00
B14641B	4-1 Red. 4-Belt	25 HP (18.5 kw)	5.0" (12.7 cm) P.D.	7.4" (18.8 cm) P.D.	300	550 lbs. (249 kg)	4,230.00

*Not included.

DOUBLE DRIVE VERTICAL BIN UNLOADING AUGERS

These unloaders use a separate electric motor drive on the horizontal and vertical sections. The vertical part uses a direct belt drive on all sizes located at the bottom. On 8" and 10" (20.3 cm and 25.4 cm) models, a direct belt drive is used for the horizontal part. For 10" (25.4 cm) units, a 2-1 reduction oil bath chain drive is available for the horizontal. A gear reduction drive is standard on 12" (30.5 cm) sizes for the horizontal. All unloaders include a 16'-6" (5.03 m) tall vertical auger and a horizontal section with flange to attach to a bin unloading tube and flight or to a power sweep. There is a discharge spout with 3' (91.4 cm) of solid tube attached and a mounting bracket to connect the vertical to a bin.

8" (20.3 cm) - Use a 2B 4.5" (11.4 cm) O.D. motor sheave on the 5 HP (4 kw) motor needed for the vertical drive. Order the horizontal flight separately for the desired bin size from page 7 of this section. Use the power listed there for a horizontal unloader. Use a 2B 4.0" (10.2 cm) O.D. motor sheave. When connected to a power sweep, use the power listed there for the horizontal power head. Capacity up to 2,000 BPH (54 TPH).

Catalog No.	Description	Maximum Horizontal Power	Wt.	List Price
BJ12516A	Direct Belt Drive for 6" (15.2 cm) Horizontal	7-1/2 HP (5.5 kw)	420 lbs. (191 kg)	\$2,582.00
BJ12518A	Direct Belt Drive for 8" (20.3 cm) Horizontal	7-1/2 HP (5.5 kw)	420 lbs. (191 kg)	2,532.00

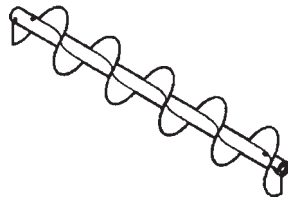
10" (25.4 cm) - Use a 2B 4.0" O.D. motor sheave on the 7-1/2 HP (5.5 kw) motor needed for the vertical drive. Order an 8" or 10" (20.3 cm or 25.4 cm) horizontal flight separately for the desired bin size from page 7 of this section. Use the power listed there for a horizontal unloader. Use a 2B 4.0" (10.2 cm) O.D. motor sheave. When connected to a power sweep, use the power listed there for the horizontal power head. Capacity up to 3,500 BPH (95 TPH).

Catalog No.	Description	Motor Sheave for Horizontal	Maximum Horizontal Power	Wt.	List Price
BJ13518A	Direct Belt Drive for 8" (20.3 cm) Horiz.	2B 4.5" (11.4 cm) O.D.	10 HP (7.5 kw)	477 lbs. (216 kg)	\$3,596.00
BJ13518B	Direct Belt Drive for 8" (20.3 cm) Horiz.	3B 4.5" (11.4 cm) O.D.	15 HP (11 kw)	485 lbs. (220 kg)	3,650.00
BJ13510A	Direct Belt Drive for 10" (25.4 cm) Horiz.	2B 3.5" (8.9 cm) O.D.	7-1/2 HP (5.5 kw)	475 lbs. (215 kg)	3,505.00
BJ13510B	Direct Belt Drive for 10" (25.4 cm) Horiz.	3B 3.5" (8.9 cm) O.D.	10 HP (7.5 kw)	483 lbs. (219 kg)	3,558.00
BJ13510C	2-1 Chain Reduction for 10" (25.4 cm) Horiz.	2B 5.0" (12.7 cm) O.D.	10 HP (7.5 kw)	518 lbs. (235 kg)	3,987.00
BJ13510D	2-1 Chain Reduction for 10" (25.4 cm) Horiz.	3B 5.0" (12.7 cm) O.D.	15 HP (11 kw)	527 lbs. (239 kg)	4,026.00

12" (30.5 cm) - Use a 3B 4.0" (10.2 cm) O.D. motor sheave on the 10 HP (7.5 kw) motor needed for the vertical drive. Order a 10" or 12" (25.4 cm or 30.5 cm) horizontal flight separately for the desired bin size from page 7 of this section. Use the power listed there for a horizontal unloader. When connected to a power sweep, use the power listed there for the horizontal power head. Capacity up to 5,000 BPH (135 TPH).

Catalog No.	Description	Motor Sheave for Horizontal	Maximum Horizontal Horsepower	Wt.	List Price
BJ12240ADV	Direct Belt for 10" (25.4 cm) Horiz.	2B 3.4" (8.6 cm) P.D.	7-1/2 HP (5.5 kw)	563 lbs. (255 kg)	\$4,838.00
BJ12480ADV	Direct Belt for 10" (25.4 cm) Horiz.	3B 3.4" (8.6 cm) P.D.	10 HP (7.5 kw)	563 lbs. (255 kg)	4,873.00
BJ12240BDV	Gear Reducer Drive for 10" (25.4 cm) Horiz.	2B 5.0" (12.7 cm) P.D.	10 HP (7.5 kw)	650 lbs. (295 kg)	5,918.00
BJ12480BDV	Gear Reducer Drive for 10" (25.4 cm) Horiz.	3B 5.0" (12.7 cm) P.D.	15 HP (11 kw)	660 lbs. (299 kg)	5,931.00
BJ12720BDV	Gear Reducer Drive for 10" (25.4 cm) Horiz.	4B 5.0 (12.7 cm) P.D.	25 HP (18.5 kw)	670 lbs. (304 kg)	5,952.00
BJ12241BDV	Gear Reducer Drive for 12" (30.5 cm) Horiz.	2B 5.0" (12.7 cm) P.D.	10 HP (7.5 kw)	648 lbs. (294 kg)	5,918.00
BJ12481BDV	Gear Reducer Drive for 12" (30.5 cm) Horiz.	3B 5.0" (12.7 cm) P.D.	15 HP (11 kw)	658 lbs. (298 kg)	5,931.00
BJ12721BDV	Gear Reducer Drive for 12" (30.5 cm) Horiz.	4B 5.0" (12.7 cm) P.D.	25 HP (18.5 kw)	668 lbs. (303 kg)	5,952.00

For adapter plates and flight stubs, see page 15 of the Standard Bin Unload Section.



8" (20.3 cm) COMMERCIAL HORIZONTAL FLIGHT

7 ga. (4.5 mm) Flight Mounted on 1.9" (48 mm) O.D. Tube
To be used with Horizontal, Vertical or 25° Powerhead

Catalog No.	Length	Bin Dia.	Wt. lbs. (kg)	Power			List Price
				Horiz. Unloader HP (kw)	25° Unloader HP (kw)	Vertical Unloader HP (kw)	
BJ0824FA	14' - 6" (4.42 m)	24' (7.32 m)	73 (33)	3 (2.2)	5 (4)	5 (4)	\$ 224.00
BJ0827FA	16' - 0" (4.88 m)	27' (8.23 m)	80 (36)	3 (2.2)	5 (4)	5 (4)	247.00
BJ0830FA	17' - 6" (5.33 m)	30' (9.14 m)	88 (40)	5 (4)	7 1/2 (5.5)	5 (4)	269.00
BJ0833FA	19' - 6" (5.94 m)	33' - 34' (10.06-10.52 m)	98 (44)	5 (4)	7 1/2 (5.5)	5 (4)	295.00
BJ0836FA	20' - 6" (6.25 m)	36' (10.97 m)	103 (47)	5 (4)	7 1/2 (5.5)	5 (4)	307.00
BJ0837FA	22' - 0" (6.71 m)	37' - 39' (11.28-11.89 m)	110 (50)	5 (4)	7 1/2 (5.5)	5 (4)	336.00
BJ0840FA	23' - 0" (7.01 m)	40' (12.19 m)	115 (52)	5 (4)	7 1/2 (5.5)	5 (4)	343.00
BJ0842FA	24' - 0" (7.32 m)	42' (12.80 m)	120 (54)	5 (4)	7 1/2 (5.5)	5 (4)	361.00
BJ0848FA	27' - 0" (8.23 m)	48' - 49' (14.63-14.94 m)	132 (60)	5 (4)	7 1/2 (5.5)	5 (4)	457.00
BJ0854FA	30' - 0" (9.14 m)	54' - 55' (16.46-16.76 m)	145 (66)	7-1/2 (5.5)	7 1/2 (5.5)	5 (4)	504.00
BJ0860FA	33' - 0" (10.06 m)	60' (18.29 m)	158 (72)	7-1/2 (5.5)	7 1/2 (5.5)	5 (4)	558.00
BJ0863FA	34' - 6" (10.52 m)	63' (19.20 m)	162 (73)	7-1/2 (5.5)	7 1/2 (5.5)	5 (4)	577.00
BJ0868FA	37' - 6" (11.43 m)	68' - 69' (20.73-21.03 m)	174 (79)	7-1/2 (5.5)	10 (7.5)	5 (4)	622.00
BJ0872FA	39' - 0" (11.89 m)	72' (21.95 m)	183 (83)	7-1/2 (5.5)	10 (7.5)	5 (4)	646.00
BJ0875FA	40' - 6" (12.34 m)	75' (22.86 m)	190 (86)	7-1/2 (5.5)	10 (7.5)	5 (4)	669.00
BJ0878FA	42' - 6" (12.95 m)	78' (23.77 m)	198 (90)	10 (7.5)	—	5 (4)	691.00



12" (30.5 cm) COMMERCIAL HORIZONTAL FLIGHT

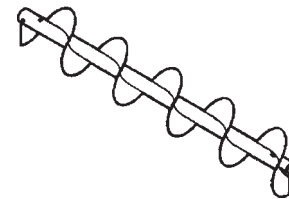
7 ga. Flight Mounted on 2 7/8" (73 mm) O.D. tube.
To be used with Horizontal or Vertical Powerhead

Catalog No.	Length	Bin Dia.	Wt. lbs. (kw)	H.P. (kw)	List Price
BJ1224FA	14' - 6" (4.42 m)	24' (7.32 m)	178 (81)	7-1/2 (5.5)	\$559.00
BJ1227FA	16' - 0" (4.88 m)	27' (8.23 m)	194 (88)	7-1/2 (5.5)	610.00
BJ1230FA	17' - 6" (5.33 m)	30' (9.14 m)	209 (95)	7-1/2 (5.5)	663.00
BJ1233FA	19' - 6" (5.94 m)	33' - 34' (10.06-10.52 m)	230 (104)	10 (7.5)	734.00
BJ1236FA	20' - 6" (6.25 m)	36' (10.97 m)	240 (109)	10 (7.5)	766.00
BJ1237FA	22' - 0" (6.71 m)	37' - 39' (11.28-11.89 m)	256 (116)	10 (7.5)	826.00
BJ1240FA	23' - 0" (7.01 m)	40' (12.19 m)	273 (124)	10 (7.5)	910.00
BJ1242FA	24' - 0" (7.32 m)	42' (12.80 m)	291 (132)	10 (7.5)	941.00
BJ1248FA	27' - 0" (8.23 m)	48' - 49' (14.63-14.94 m)	336 (152)	15 (11)	1,030.00
BJ1254FA	30' - 0" (9.14 m)	54' - 55' (16.46-16.76 m)	349 (158)	15 (11)	1,100.00
BJ1260FA	33' - 0" (10.06 m)	60' (18.29 m)	380 (172)	15 (11)	1,202.00
BJ1263FA	34' - 6" (10.52 m)	63' (19.20 m)	396 (180)	15 (11)	1,253.00
BJ1268FA	37' - 6" (11.43 m)	68' - 69' (20.73-21.03 m)	427 (194)	15 (11)	1,344.00
BJ1272FA	39' - 0" (11.89 m)	72' (21.95 m)	443 (201)	20 (15)	1,397.00
BJ1275FA	40' - 6" (12.34 m)	75' (22.86 m)	459 (208)	20 (15)	1,445.00
BJ1278FA	42' - 6" (12.95 m)	78' (23.77 m)	483 (219)	20 (15)	1,615.00
BJ1280FA	44' - 6" (13.56 m)	80' (24.38 m)	505 (229)	20 (15)	1,673.00
BJ1282FA	45' - 6" (13.87 m)	82' (24.99 m)	517 (235)	20 (15)	1,705.00
BJ1290FA	49' - 6" (15.09 m)	90' (27.43 m)	552 (250)	20 (15)	1,813.00
BJ1292FA	50' - 6" (15.39 m)	92' (28.04 m)	568 (258)	25 (18.5)	1,849.00
BJ1297FA	57' - 0" (17.37 m)	105' (32.00 m)	631 (286)	25 (18.5)	2,061.00
BJ1298FA	61' - 0" (18.59 m)	113' (34.44 m)	677 (307)	25 (18.5)	2,184.00
BJ1299FA	64' - 6" (19.66 m)	120' (36.58 m)	714 (323)	25 (18.5)	2,383.00

10" (25.4 cm) COMMERCIAL HORIZONTAL FLIGHT

7 ga. (4.5 mm) Flight Mounted on 2 3/8" (60 mm) O.D. Tube
To be used with Horizontal, Vertical or 25° Powerhead

Catalog No.	Length	Bin Dia.	Wt. lbs. (kg)	Power			List Price
				Horiz. Unloader HP (kw)	25° Unloader HP (kw)	* Vertical Unloader HP (kw)	
BJ1024FA	14' - 6" (4.42 m)	24' (7.32 m)	93 (42)	5 (4)	7 1/2 (5.5)	7 1/2 (5.5)	\$ 301.00
BJ1027FA	16' - 0" (4.88 m)	27' (8.23 m)	102 (46)	5 (4)	7 1/2 (5.5)	7 1/2 (5.5)	328.00
BJ1030FA	17' - 6" (5.33 m)	30' (9.14 m)	113 (51)	7 1/2 (5.5)	7 1/2 (5.5)	7 1/2 (5.5)	360.00
BJ1033FA	19' - 6" (5.94 m)	33' - 34' (10.06-10.52 m)	125 (57)	7 1/2 (5.5)	7 1/2 (5.5)	7 1/2 (5.5)	394.00
BJ1036FA	20' - 6" (6.25 m)	36' (10.97 m)	132 (60)	7 1/2 (5.5)	7 1/2 (5.5)	7 1/2 (5.5)	414.00
BJ1037FA	22' - 0" (6.71 m)	37' - 39' (11.28-11.89 m)	141 (64)	7 1/2 (5.5)	10 (7.5)	7 1/2 (5.5)	448.00
BJ1040FA	23' - 0" (7.01 m)	40' (12.19 m)	147 (67)	7 1/2 (5.5)	10 (7.5)	7 1/2 (5.5)	466.00
BJ1042FA	24' - 0" (7.32 m)	42' (12.80 m)	154 (70)	7 1/2 (5.5)	10 (7.5)	7 1/2 (5.5)	485.00
BJ1048FA	27' - 0" (8.23 m)	48' - 49' (14.63-14.94 m)	173 (78)	10 (7.5)	10 (7.5)	7 1/2 (5.5)	588.00
BJ1054FA	30' - 0" (9.14 m)	54' - 55' (16.46-16.76 m)	192 (87)	10 (7.5)	10 (7.5)	7 1/2 (5.5)	653.00
BJ1060FA	33' - 0" (10.06 m)	60' (18.29 m)	211 (96)	10 (7.5)	15 (11)	7 1/2 (5.5)	719.00
BJ1063FA	34' - 6" (10.52 m)	63' (19.20 m)	218 (99)	10 (7.5)	15 (11)	7 1/2 (5.5)	747.00
BJ1068FA	37' - 6" (11.43 m)	68' - 69' (20.73-21.03 m)	241 (109)	15 (11)	15 (11)	7 1/2 (5.5)	804.00
BJ1072FA	39' - 0" (11.89 m)	72' (21.95 m)	250 (113)	15 (11)	15 (11)	7 1/2 (5.5)	833.00
BJ1075FA	40' - 6" (12.34 m)	75' (22.86 m)	260 (118)	15 (11)	15 (11)	7 1/2 (5.5)	858.00
BJ1078FA	42' - 6" (12.95 m)	78' (23.77 m)	273 (124)	15 (11)	—	7 1/2 (5.5)	898.00
BJ1080FA	44' - 6" (13.56 m)	80' (24.38 m)	285 (129)	15 (11)	—	7 1/2 (5.5)	997.00
BJ1082FA	45' - 6" (13.87 m)	82' (24.99 m)	292 (132)	15 (11)	—	7 1/2 (5.5)	1,016.00
BJ1090FA	49' - 6" (15.09 m)	90' (27.43 m)	317 (144)	15 (11)	—	7 1/2 (5.5)	1,102.00
BJ1092FA	50' - 6" (15.39 m)	92' (28.04 m)	325 (147)	15 (11)	—	7 1/2 (5.5)	1,121.00



*Horsepower Requirement for the Vertical Section of the Double Drive.

For 1/4" (6 mm) Flight Option, add "7" to Catalog No. Add \$5.50 per foot to List Price rounded up.

COMMERCIAL KLEAN SWEEPS

Commercial Klean Sweeps are furnished with the Flight and Shield in sections no longer than 9'-9 3/4" (2.99 m) long. Sweeps for 48' (14.63 m) bins and larger include a Sweep Carrier Assembly. Additional carriers can be ordered on page 12.

It is recommended that the center portion of the sweep be used first and then add on sections in sequence until the entire sweep has been assembled and the bin unloaded.

CAPACITY CHART

68 Series Model - 5" (12.7 cm) O.D. Flight

1750 Motor			
Driver Pulley	Driven Pulley	RPM	Capacity
3.0" (76 mm) O.D.	8" (20.3 cm) O.D.	328	787 BPH (21 TPH)
4.0" (102 mm) O.D.	8" (20.3 cm) O.D.	438	1050 BPH (28 TPH)

Capacity rated at approximately 240 BPH (6 TPH) per 100 RPM.

1012 Series Model - 9" (22.9 cm) O.D. Flight

1750 Motor			
Driver Pulley	Driven Pulley	RPM	Capacity
5.0" (12.7 cm) O.D.	12" (30.5 cm) O.D.	250	3200 BPH (86 TPH)
6.0" (15.2 cm) O.D.	12" (30.5 cm) O.D.	290	3712 BPH (100 TPH)

Capacity rated at approximately 1280 BPH (35 TPH) per 100 RPM.

810 Series Model - 7" (17.8 cm) O.D. Flight

1750 Motor			
Driver Pulley	Driven Pulley	RPM	Capacity
3.5" (89 mm) O.D.	10" (25.4 cm) O.D.	306	1591 BPH (43 TPH)
4.5" (114 mm) O.D.	10" (25.4 cm) O.D.	394	2049 BPH (55 TPH)

Capacity rated at approximately 520 BPH (14 TPH) per 100 RPM.

1214 Series Model - 12" (30.5 cm) O.D. Flight

1750 Motor w/3 to 1 Chain Drive			
Driver Pulley	Driven Pulley	RPM	Capacity
3.0" (76 mm) O.D.	12" (30.5 cm) O.D.	146	3,942 BPH (106 TPH)
3.5" (89 mm) O.D.	12" (30.5 cm) O.D.	170	4,590 BPH (124 TPH)
4.5" (114 mm) O.D.	12" (30.5 cm) O.D.	218	5,886 BPH (159 TPH)

1750 Motor w/4 to 1 Gear Drive			
Driver Pulley	Driven Pulley	RPM	Capacity
4.6" (11.7 cm) O.D.	11.0" (27.9 cm) P.D.	177	4,887 BPH (182 TPH)
5.0" (12.7 cm) O.D.	11.0" (27.9 cm) P.D.	194	5,292 BPH (143 TPH)
5.6" (14.2 cm) O.D.	11.0" (27.9 cm) P.D.	206	5,886 BPH (159 TPH)
6.0" (15.2 cm) O.D.	11.0" (27.9 cm) P.D.	232	6,102 BPH (165 TPH)

Capacity rated at approximately 2700 BPH (73 TPH) per 100 RPM.

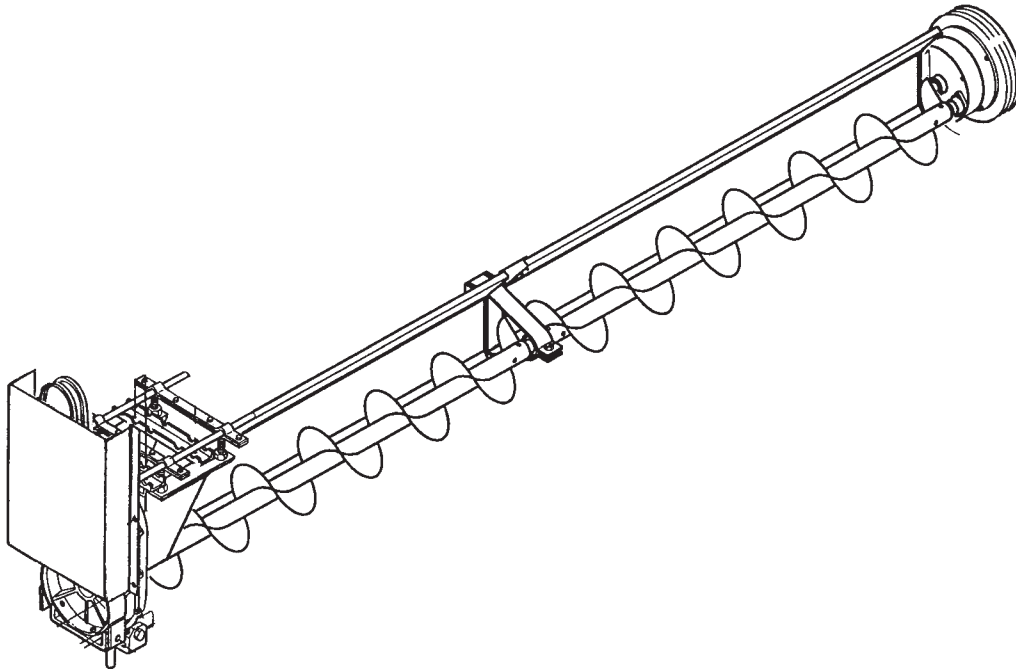
68 SERIES COMMERCIAL KLEAN SWEEP FLIGHT, SHIELD, REDUCTION WHEEL AND DRIVE

5" (12.7 cm) O.D. 7 ga. (4.5 mm) Flight on 1.9" (48 mm) tube. Drive includes 2 to 1 Oil Bath Reducer.

These units are designed to match the capacity of a 6" or 8" (15.2 cm or 20.3 cm) Unloading System. For 6" (15.2 cm) systems, use a 3.0" (76 mm) O.D. Motor Sheave for 328 RPM. For 8" (20.3 cm) systems, use a 3.8" (97 mm) P.D. Motor Sheave for 459 RPM.

Catalog No.	Description	Sections	Elec. Power	Bin. Dia.	Wt.	Center of Bin to Outside of Sweep Wheel	List Price
BK0824SD	Klean Sweep	2	2 HP (1.5 kw)	24' (7.32 m)	191 lbs. (87 kg)	11' - 4" (3.45 m)	\$ 1,783.00
BK0827SD	Klean Sweep	2	2 HP (1.5 kw)	27' (8.23 m)	201 lbs. (91 kg)	12' - 10" (3.91 m)	1,813.00
BK0830SD	Klean Sweep	2	2 HP (1.5 kw)	30' (9.14 m)	208 lbs. (94 kg)	14' - 2 1/4" (4.32 m)	1,834.00
BK0833SD	Klean Sweep	2	3 HP (2.2 kw)	33' (10.06 m)	218 lbs. (99 kg)	15' - 10" (4.83 m)	1,864.00
BK0834SD	Klean Sweep	2	3 HP (2.2 kw)	34' (10.36 m)	221 lbs. (100 kg)	16' - 4 1/2" (4.99 m)	1,872.00
BK0836SD	Klean Sweep	2	3 HP (2.2 kw)	36' (10.97 m)	225 lbs. (102 kg)	17' - 4" (5.28 m)	1,888.00
BK0837SD	Klean Sweep	2	3 HP (2.2 kw)	37' (11.28 m)	231 lbs. (105 kg)	17' - 10 1/2" (5.45 m)	1,900.00
BK0839SD	Klean Sweep	2	3 HP (2.2 kw)	39' (11.89 m)	235 lbs. (107 kg)	18' - 10 1/4" (5.75 m)	1,916.00
BK0840SD	Klean Sweep	2	3 HP (2.2 kw)	40' (12.19 m)	238 lbs. (108 kg)	19' - 4" (5.89 m)	1,920.00
BK0842SD	Klean Sweep	2	3 HP (2.2 kw)	42' (12.80 m)	242 lbs. (110 kg)	20' - 4 1/4" (6.20 m)	1,940.00
BK0848SD	Klean Sweep	3	3 HP (2.2 kw)	48' (14.63 m)	302 lbs. (137 kg)	23' - 4 1/4" (7.12 m)	2,267.00
BK0849SD	Klean Sweep	3	5 HP (4 kw)	49' (14.94 m)	310 lbs. (141 kg)	23' - 9 1/2" (7.25 m)	2,277.00
BK0854SD	Klean Sweep	3	5 HP (4 kw)	54' (16.46 m)	319 lbs. (145 kg)	26' - 4 1/2" (8.04 m)	2,323.00
BK0855SD	Klean Sweep	3	5 HP (4 kw)	55' (16.76 m)	330 lbs. (150 kg)	26' - 9 1/2" (8.17 m)	2,332.00
BK0860SD	Klean Sweep	3	5 HP (4 kw)	60' (18.29 m)	340 lbs. (154 kg)	29' - 4 1/2" (8.95 m)	2,376.00
BK0863SD	Klean Sweep	4	5 HP (4 kw)	63' (19.20 m)	351 lbs. (159 kg)	30' - 11" (9.42 m)	2,510.00
BK0868SD	Klean Sweep	4	5 HP (4 kw)	68' (20.73 m)	375 lbs. (170 kg)	33' - 4 3/4" (10.18 m)	2,586.00
BK0869SD	Klean Sweep	4	5 HP (4 kw)	69' (21.03 m)	386 lbs. (175 kg)	33' - 10" (10.31 m)	2,633.00
BK0872SD	Klean Sweep	4	5 HP (4 kw)	72' (21.95 m)	388 lbs. (176 kg)	35' - 5 1/4" (10.80 m)	2,662.00
BK0875SD	Klean Sweep	4	5 HP (4 kw)	75' (22.86 m)	402 lbs. (182 kg)	36' - 11" (11.25 m)	2,691.00

810 SERIES COMMERCIAL KLEAN SWEEP FLIGHT, SHIELD, REDUCTION WHEEL AND DRIVE



7" (17.8 cm) O.D. 7 (4.5 mm) ga. Flight 1.9" (48 mm) O.D. tube.

Drive includes 2 to 1 Oil Bath Reducer with 2 belts and 10" (25.4 cm) driven pulley.

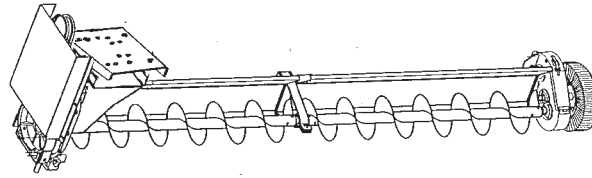
These units are designed to match the capacity of an 8" or 10" (20.3 cm or 25.4 cm) Unloading System.

For 8" (20.3 cm) unloading system, use a 3.5" (89 mm) O.D. motor pulley for sweep speed of 306 RPM.

For 10" (25.4 cm) unloading system, use a 4.5" (11.4 cm) O.D. motor pulley for sweep speed of 394 RPM.

Catalog No.	Description	Sections	Electric Power	Bin Dia.	WT.	Center of Bin to Outside of Sweep Wheel	List Price
BK1024SD	Klean Sweep	2	3 HP (2.2 kw)	24' (7.32 m)	259 lbs. (117 kg)	11' - 4 1/2" (3.47 m)	\$ 1,854.00
BK1027SD	Klean Sweep	2	3 HP (2.2 kw)	27' (8.23 m)	269 lbs. (122 kg)	12' - 10 1/2" (3.92 m)	1,888.00
BK1030SD	Klean Sweep	2	3 HP (2.2 kw)	30' (9.14 m)	279 lbs. (127 kg)	14' - 2 3/4" (4.34 m)	1,900.00
BK1033SD	Klean Sweep	2	3 HP (2.2 kw)	33' (10.06 m)	292 lbs. (132 kg)	15' - 10 1/2" (4.84 m)	1,944.00
BK1034SD	Klean Sweep	2	3 HP (2.2 kw)	34' (10.36 m)	309 lbs. (140 kg)	16' - 5" (5.00 m)	1,953.00
BK1036SD	Klean Sweep	2	3 HP (2.2 kw)	36' (10.97 m)	316 lbs. (143 kg)	17' - 4 3/4" (5.30 m)	1,980.00
BK1037SD	Klean Sweep	2	3HP (2.2 kw)	37' (11.28 m)	319 lbs. (145 kg)	17' - 11" (5.46 m)	1,990.00
BK1039SD	Klean Sweep	2	3 HP (2.2 kw)	39' (11.89 m)	326 lbs. (148 kg)	18' - 10 3/4" (5.76 m)	2,003.00
BK1040SD	Klean Sweep	2	3 HP (2.2 kw)	40' (12.19 m)	329 lbs. (149 kg)	19' - 4 1/2" (5.91 m)	2,012.00
BK1042SD	Klean Sweep	2	3 HP (2.2 kw)	42' (12.80 m)	336 lbs. (152 kg)	20' - 5" (6.22 m)	2,033.00
BK1048SD	Klean Sweep	3	5 HP (4 kw)	48' (14.63 m)	410 lbs. (186 kg)	23' - 5" (7.14 m)	2,403.00
BK1049SD	Klean Sweep	3	5 HP (4 kw)	49' (14.94 m)	412 lbs. (187 kg)	23' - 10 1/4" (7.27 m)	2,408.00
BK1054SD	Klean Sweep	3	5 HP (4 kw)	54' (16.46 m)	430 lbs. (195 kg)	26' - 5 1/4" (8.06 m)	2,456.00
BK1055SD	Klean Sweep	3	5 HP (4 kw)	55' (16.76 m)	432 lbs. (196 kg)	26' - 10 1/4" (8.19 m)	2,470.00
BK1060SD	Klean Sweep	3	5 HP (4 kw)	60' (18.29 m)	461 lbs. (209 kg)	29' - 5 1/4" (8.97 m)	2,498.00
BK1063SD	Klean Sweep	4	7-1/2 HP (5.5 kw)	63' (19.20 m)	484 lbs. (220 kg)	30' - 11 1/2" (9.44 m)	2,696.00
BK1068SD	Klean Sweep	4	7-1/2 HP (5.5 kw)	68' (20.73 m)	504 lbs. (229 kg)	33' - 5 1/4" (10.19 m)	2,759.00
BK1069SD	Klean Sweep	4	7-1/2 HP (5.5 kw)	69' (21.03 m)	506 lbs. (230 kg)	33' - 10 1/2" (10.33 m)	2,767.00
BK1072SD	Klean Sweep	4	7-1/2 HP (5.5 kw)	72' (21.95 m)	531 lbs. (241 kg)	35' - 5 3/4" (10.81 m)	2,834.00
BK1075SD	Klean Sweep	4	7-1/2 HP (5.5 kw)	75' (22.86 m)	552 lbs. (250 kg)	36' - 11 1/2" (11.26 m)	2,853.00
BK1078SD	Klean Sweep	4	7-1/2 HP (5.5 kw)	78' (23.77 m)	562 lbs. (254 kg)	38' - 5 3/4" (11.73 m)	2,898.00
BK1080SD	Klean Sweep	4	7-1/2 HP (5.5 kw)	80' (24.38 m)	562 lbs. (254 kg)	39' - 5 1/2" (12.03 m)	2,905.00
BK1082SD	Klean Sweep	4	7-1/2 HP (5.5 kw)	82' (24.99 m)	576 lbs. (261 kg)	40' - 5 1/4" (12.33 m)	2,934.00
BK1090SD	Klean Sweep	5	7-1/2 HP (5.5 kw)	90' (27.43 m)	644 lbs. (292 kg)	44' - 6 1/4" (13.57 m)	3,378.00
BK1092SD	Klean Sweep	5	7-1/2 HP (5.5 kw)	92' (28.04 m)	657 lbs. (298 kg)	45' - 6" (13.87 m)	3,407.00

1012 SERIES COMMERCIAL KLEAN SWEEP FLIGHT, SHIELD, REDUCTION WHEEL AND DRIVE



9" (22.9 cm) O.D. 1/4" (6 mm) Flight on 2 7/8" (73 mm) O.D. tube. Drive includes 3 to 1 Oil Bath Reducer. These units are designed to match the capacity of a 10" or 12" (25.4 cm or 30.5 cm) Unloading System. For 10" (25.4 cm) unloading system, use 5.0" (12.7 cm) O.D. motor pulley for sweep speed of 250 RPM. For 12" (30.5 cm) unloading system, use a 6.0" (15.2 cm) O.D. motor pulley for sweep speed of 290 RPM. Center sweep carrier(s) provided on 48' thru 82' (14.63 m thru 24.99 m) diameter bins. Two carriers are furnished with units for 90' (27.43 m) bins and larger.

Catalog No.	Description	Sections	No. of Belts	Elec. Power	Bin Dia.	Wt.	Center of Bin to Outside of Sweep Wheel	List Price
BK12241SW	Klean Sweep	2	1-B	3 HP (2.2 kw)	24' (7.32 m)	438 lbs. (199 kg)	11' - 5 5/8" (3.50 m)	\$ 2,984.00
BK12271SW	Klean Sweep	2	1-B	3 HP (2.2 kw)	27' (8.23 m)	451 lbs. (205 kg)	12' - 11 5/8" (3.95 m)	3,025.00
BK12301SW	Klean Sweep	2	1-B	3HP (2.2 kw)	30' (9.14 m)	476 lbs. (216 m)	14' - 3 7/8" (4.37 m)	3,068.00
BK12331SW	Klean Sweep	2	1-B	3HP (2.2 kw)	33' (10.06 m)	490 lbs. (222 kg)	15' - 11 5/8" (4.87 m)	3,141.00
BK12341SW	Klean Sweep	2	1-B	3HP (2.2 kw)	34' (10.36 m)	498 lbs. (226 kg)	16' - 6 1/8" (5.03 m)	3,167.00
BK12361SW	Klean Sweep	2	1-B	3HP (2.2 kw)	36' (10.97 m)	511 lbs. (232 kg)	17' - 5 7/8" (5.33 m)	3,212.00
BK12371SW	Klean Sweep	2	1-B	3HP (2.2 kw)	37' (11.28 m)	515 lbs. (234 kg)	18' - 1/8" (5.49 m)	3,241.00
BK12391SW	Klean Sweep	2	1-B	5 HP (4 kw)	39' (11.89 m)	529 lbs. (240 kg)	18' - 11 7/8" (5.79 m)	3,290.00
BK12401SW	Klean Sweep	2	1-B	5HP (4 kw)	40' (12.19 m)	536 lbs. (243 kg)	19' - 5 5/8" (5.93 m)	3,315.00
BK12421SW	Klean Sweep	2	1-B	5HP (4 kw)	42' (12.80 m)	550 lbs. (249 kg)	20' - 6 1/8" (6.25 m)	3,364.00
BK12451SW	Klean Sweep	3	2-B	5HP (4 kw)	45' (13.72 m)	622 lbs. (282 kg)	22'-1/8" (6.71 m)	3,684.00
BK12481SW	Klean Sweep	3	2-B	5HP (4 kw)	48' (14.63 m)	649 lbs. (294 kg)	23' - 6 1/8" (7.17 m)	3,716.00
BK12491SW	Klean Sweep	3	2-B	5HP (4 kw)	49' (14.94 m)	658 lbs. (298 kg)	23' - 11 3/8" (7.30 m)	3,730.00
BK12541SW	Klean Sweep	3	2-B	5HP (4 kw)	54' (16.46 m)	688 lbs. (312 kg.)	26' - 6 3/8" (8.09 m)	3,839.00
BK12551SW	Klean Sweep	3	2-B	5HP (4 kw)	55' (16.76 m)	697 lbs. (316 kg)	26' - 11 3/8" (8.21 m)	3,864.00
BK12601SW	Klean Sweep	3	2-B	7 1/2 HP (5.5 kw)	60' (18.29 m)	727 lbs. (330 kg)	29' - 6 3/8" (9.00 m)	3,987.00
BK12631SW	Klean Sweep	4	2-B	7 1/2 HP (5.5 kw)	63' (19.20 m)	750 lbs. (340 kg)	31' - 1" (9.47 m)	4,144.00
BK12681SW	Klean Sweep	4	2-B	7 1/2 HP (5.5 kw)	68' (20.73 m)	785 lbs. (356 kg)	33' - 6 3/4" (10.23 m)	4,248.00
BK12691SW	Klean Sweep	4	2-B	7 1/2 HP (5.5 kw)	69' (21.03 m)	795 lbs. (361 kg)	34' - 0" (10.36 m)	4,273.00
BK12721SW	Klean Sweep	4	2-B	7 1/2 HP (5.5 kw)	72' (21.95 m)	810 lbs. (367 kg)	35' - 4 3/8" (10.78 m)	4,347.00
BK12751SW	Klean Sweep	4	2-B	7 1/2 HP (5.5 kw)	75' (22.86 m)	827 lbs. (375 kg)	37' - 1" (11.30 m)	4,422.00
BK12781SW	Klean Sweep	4	2-B	10 HP (7.5 kw)	78' (23.77 m)	849 lbs. (385 kg)	38' - 7 1/4" (11.77 m)	4,496.00
BK12801SW	Klean Sweep	4	2-B	10 HP (7.5 kw)	80' (24.38 m)	863 lbs. (391 kg)	40' - 1/2" (12.20 m)	4,546.00
BK12821SW	Klean Sweep	4	2-B	10 HP (7.5 kw)	82' (24.99 m)	880 lbs. (399 kg)	40' - 6 3/4" (12.36 m)	4,593.00
BK12901SW	Klean Sweep	5	2-B	10 HP (7.5 kw)	90' (27.43 m)	974 lbs. (441 kg)	44' - 7 3/8" (13.60 m)	5,025.00
BK12921SW	Klean Sweep	5	2-B	10 HP (7.5 kw)	92' (28.04 m)	1022 lbs. (463 kg)	45' - 7 1/8" (13.90 m)	5,003.00
BK12971SW	Klean Sweep	6	2-B	10 HP (7.5 kw)	105' (32.00 m)	1101 lbs. (499 kg)	51' - 6 1/8" (15.70 m)	5,353.00
BK12981SW	Klean Sweep	6	2-B	10 HP (7.5 kw)	113' (34.44 m)	1237 lbs. (561 kg)	55' - 6 1/8" (16.92 m)	5,565.00
BK12991SW	Klean Sweep	6	2-B	15 HP (11 kw)	120' (36.58 m)	1246 lbs. (565 kg)	59' - 3/8" (17.99 m)	5,758.00

COMMERCIAL KLEAN SWEEP TRACTOR FOR 1012 SERIES

A sweep tractor may be included with a 1012 series sweep. To order a sweep with a tractor, add the option number for the tractor you choose to the end of the catalog number. Add the list price for that tractor option to the list price of the sweep. This price includes the tractor and the deduct for the reduction end wheel assembly that is not provided with sweeps that have tractors.

Tractor Option No.	Description	List Price
3	Sweep Tractor with single phase TEF motor	\$1,799.00
4	Sweep Tractor with single phase explosion proof motor	2,182.00
5	Sweep Tractor with 208-230/460 volt motor	1,634.00
6	Sweep Tractor with 208-230/460 explosion proof motor	2,173.00
7	Sweep Tractor with 575 volt motor	1,621.00
8	Sweep Tractor for 12" (30.5 cm) O.D. flight 575 volt - explosion proof motor	2,195.00
9	Sweep Tractor for 12" (30.5 cm) O.D. flight 380 volt, 50 Hz - explosion proof motor	2,531.00

Sweep Tractor Weights

Weights are not included with Sweep Tractors. Two 50 lb. (23 kg) weights are recommended with sweeps for bin diameters 60' thru 80' (18.29 m thru 24.38 m). Four 50 lb. (23 kg) weights are recommended with sweeps for bin diameters 88' thru 120' (26.82 m thru 36.58 m). To order weights for Sweep Tractor, see page 11.

1214 SERIES COMMERCIAL KLEAN SWEEP FLIGHT, SHIELD, KLEAN SWEEP TRACTOR AND DRIVE

12" (30.5 cm) O.D. 1/4" (6 mm) Flight on 2 7/8" (73 mm) O.D. tube. These units are designed to match the capacity of a 12" (30.5 cm) Unloading System. Standard with Tractor and Sweep Wheel disk on outer end.

Reducer Drive

3 to 1 Oil Bath Reducer - 36' thru 78' (10.97 thru 23.77 m) dia. bin.
4 to 1 Oil Bath Gear Reducer - 80' thru 120' (24.38 thru 36.58 m) dia. bin. Motor Pulley Not Included. Pivot pin support is 1" (25 mm) dia.

Tractor includes reduction drive gearbox. For bin diameters of 60 ft. (18.2 m) and greater, the tractor includes cast iron weights. For bin diameters 68' (20.73 m) and longer, one sweep carrier is provided.

Catalog No.	Description	Sections	No. of Belts	Elec. H.P.	Bin Dia.	Wt.	Center of Bin to Outside of Sweep Wheel	List Price
BK1436SD5	Klean Sweep	2	2	7-1/2 HP (5.5 kw)	36' (10.97 m)	448 lbs. (203 kg)	17' - 1" (5.21 m)	\$ 6,011.00
BK1437SD5	Klean Sweep	2	2	7-1/2 HP (5.5 kw)	37' (11.28 m)	456 lbs. (207 kg)	17' - 7" (5.36 m)	6,037.00
BK1440SD5	Klean Sweep	2	2	7-1/2 HP (5.5 kw)	40' (12.19 m)	474 lbs. (215 kg)	19' - 1" (5.82 m)	6,146.00
BK1442SD5	Klean Sweep	2	3	10 HP (7.5 kw)	42' (12.80 m)	493 lbs. (224 kg)	19' - 9" (6.02 m)	6,275.00
BK1443SD5	Klean Sweep	2	3	10 HP (7.5 kw)	43' (13.11 m)	501 lbs. (227 kg)	20' - 6" (6.25 m)	6,275.00
BK1448SD5	Klean Sweep	3	3	10 HP (7.5 kw)	48' (14.63 m)	563 lbs. (255 kg)	23' - 0" (7.01 m)	6,700.00
BK1449SD5	Klean Sweep	3	3	10 HP (7.5 kw)	49' (14.94 m)	565 lbs. (256 kg)	23' - 6" (7.16 m)	6,743.00
BK1454SD5	Klean Sweep	3	3	15 HP (11 kw)	54' (16.46 m)	611 lbs. (277 kg)	26' - 0" (7.92 m)	6,890.00
BK1455SD5	Klean Sweep	3	3	15 HP (11 kw)	55' (16.76 m)	618 lbs. (280 kg)	26' - 6" (8.08 m)	6,916.00
BK1459SD5	Klean Sweep	3	3	15 HP (11 kw)	59' (17.98 m)	649 lbs. (294 kg)	28' - 7" (8.71 m)	7,067.00
BK1460SD5	Klean Sweep	3	3	15 HP (11 kw)	60' (18.29 m)	657 lbs. (298 kg)	29' - 0" (8.84 m)	7,145.00
BK1462SD5	Klean Sweep	3	3	15 HP (11 kw)	62' (18.90 m)	668 lbs. (303 kg)	29' - 8" (9.04 m)	7,412.00
BK1468SD5	Klean Sweep	4	3	15 HP (11 kw)	68' (20.73 m)	735 lbs. (333 kg)	33' - 10" (10.31 m)	8,047.00
BK1472SD5	Klean Sweep	4	3	15 HP (11 kw)	72' (21.95 m)	767 lbs. (348 kg)	34' - 10" (10.62 m)	8,182.00
BK1475SD5	Klean Sweep	4	3	15 HP (11 kw)	75' (22.86 m)	793 lbs. (360 kg)	36' - 5" (11.10 m)	8,308.00
BK1478SD5	Klean Sweep	4	3	15 HP (11 kw)	78' (23.77 m)	816 lbs. (370 kg)	37' - 11" (11.56 m)	8,417.00
BK14801SD5	Klean Sweep	4	3	20 HP (15 kw)	80' (24.38 m)	937 lbs. (425 kg)	39' - 0" (11.89 m)	9,534.00
BK14881SD5	Klean Sweep	5	3	20 HP (15 kw)	88' (26.82 m)	1015 lbs. (460 kg)	42' - 10" (13.06 m)	10,309.00
BK14901SD5	Klean Sweep	5	3	20 HP (15 kw)	90' (27.43 m)	1028 lbs. (466 kg)	43' - 8" (13.31 m)	10,380.00
BK14921SD5	Klean Sweep	5	3	20 HP (15 kw)	92' (28.04 m)	1041 lbs. (472 kg)	44' - 7" (13.59 m)	10,438.00
BK141051SD5	Klean Sweep	6	3	20 HP (15 kw)	105' (32.00 m)	1164 lbs. (527 kg)	51' - 1" (15.57 m)	11,189.00
BK141131SD5	Klean Sweep	6	3	25 HP (18.5 kw)	113' (34.44 m)	1224 lbs. (555 kg)	55' - 0" (16.76 m)	11,391.00
BK141201SD5	Klean Sweep	6	3	25 HP (18.5 kw)	120' (36.58 m)	1279 lbs. (580 kg)	58' - 5" (17.81 m)	11,656.00

COMMERCIAL KLEAN SWEEP TRACTOR for 1214 SERIES

The 1214 Series Commercial Klean Sweep includes the tractor listed as option 5. The tractor is driven by a gear motor separate from the Klean Sweep motor and can be operated, along with the sweep auger, or wired to operate from a separate control.

For other tractor gear motor choices, change the 5 at the end of the Klean Sweep catalog number to the option number of your choice. Change the list price as indicated.

Option No.	Description	Add	Deduct
3	Sweep Tractor for 12" (30.5 cm) O.D. flight single phase TEFC motor	\$ 10.30	---
4	Sweep Tractor for 12" (30.5 cm) O.D. flight single phase - explosion proof motor	429.00	---
5	Sweep Tractor for 12" (30.5 cm) O.D. flight 208-230/460 volt motor	---	---
6	Sweep Tractor for 12" (30.5 cm) O.D. flight 208-230/460 - explosion proof motor	420.00	---
7	Sweep Tractor for 12" (30.5 cm) O.D. flight 575 volt motor	---	\$ 84.00
8	Sweep Tractor for 12" (30.5 cm) O.D. flight 575 volt - explosion proof motor	499.00	---
9	Sweep Tractor for 12" (30.5 cm) O.D. flight 380 volt, 50 Hz - explosion proof motor	780.00	---

Sweep Tractor Weights

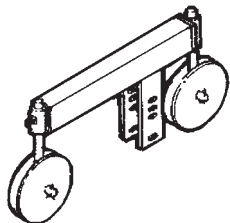
Weights are not included with sweeps for bin diameters up to 60' (18.29 m). Two 50 lb. (23 kg) weights are included with sweeps for bin diameters 60' thru 80' (18.29 m thru 24.38 m). Four 50 lb. (23 kg) weights are included with sweeps for bin diameters 88' thru 120' (26.82 m thru 36.58 m). To order weights to add to sweeps, use the following list.

Catalog No.	Description	Weight	List Price
BK1411W	Cast iron weight	50 lbs. (23 kg)	\$ 130.00

Some sweep tractors ordered prior to April 1, 2005 may require a weight stand in order to add weights. Two versions are available for tractors manufactured before different dates. Choose from the list below.

Catalog No.	Description	Weight	List Price
BK1410W	Weight stand with 2 weights - Prior to April 2005	131 lbs. (59 kg)	\$431.00
BK1409W	Weight stand with 2 weights - Prior to April 2001	136 lbs. (62 kg)	453.00

COMMERCIAL KLEAN SWEEP ACCESSORIES

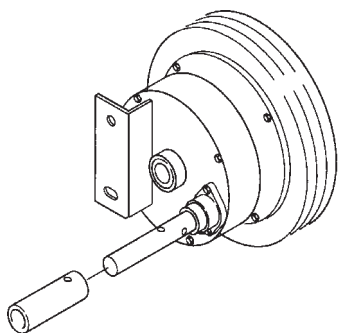


SWEEP CARRIER

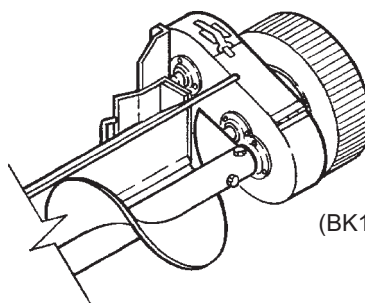
Catalog No.	Description	Wt.	List Price
BK0800W	Used on 68 & 810 Series	28 lbs. (13 kg)	\$ 190.00
BK1200W	Used on 1012 & 1214 Series	48 lbs. (22 kg)	258.00

REPLACEMENT UHMW WHEELS for SWEEPS

Catalog No.	Description	List Price
1009906	7" (17.8 cm) O.D. For 68 CKS UHMW Wheel (For Sweeps w/Threaded Shafts)	*PPB
1009907	9" (22.9 cm) O.D. For 810 CKS UHMW Wheel (For Sweeps w/Threaded Shafts)	*PPB
1004699	11" (27.9 cm) O.D. For 1012 CKS UHMW Wheel (For Sweeps w/Threaded Shafts)	*PPB



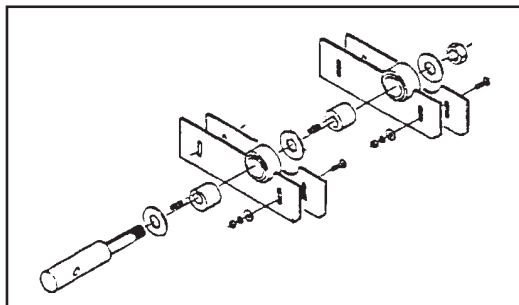
(BK0802W
BK1002W
BK1003W
Illustrated)



(BK1202W Illustrated)

REDUCTION SWEEP WHEEL

Catalog No.	Description	List Price
BK0802W	Reduction end wheel for 68 series Commercial Klean Sweep 4-1 Ratio	\$ 370.00
BK1002W	Reduction end wheel for 810 series Commercial Klean Sweep 4-1 Ratio	455.00
BK1003W	Reduction end wheel for 7" (17.8 cm) O.D. left hand Sweep Flight 4-1 Ratio	455.00
BK12020W	Reduction end wheel for 1012 series Commercial Klean Sweep 9.46-1 Ratio	853.00

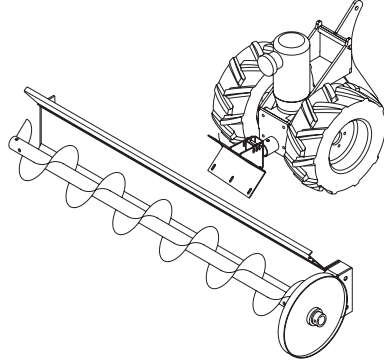


SWEEP WALKER

Catalog No.	Description	List Price
014338	Sweep Walker for 68 Commercial Klean Sweep	*PPB
014344	Sweep Walker for 810 Commercial Klean Sweep	*PPB
BK1201W	Sweep Walker for 1012 Commercial Klean Sweep	\$ 383.00

*PPB - See 2010 Parts Price Book for List Price.

COMMERCIAL KLEAN SWEEP ACCESSORIES



The following is a listing of commercial sweep tractors that may be ordered for sweeps in the field. These include the complete tractor and steel end wheel. Any end drive wheel on those units remains with the customer.

For 1012 series sweeps

Catalog No.	Description	List Price
BK1203W	Tractor with single phase TEFC motor	\$2,950.00
BK1204W	Tractor with single phase explosion proof motor	N/A
BK1205W	Tractor with 208-230/460 volt motor - 3 phase	2,798.00
BK1206W	Tractor with 208-230/460 explosion proof motor - 3 phase	3,334.00
BK1207W	Tractor with 575 volt motor - 3 phase	2,798.00

Weights are not included with tractors listed above.

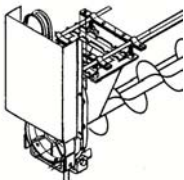
For 1214 series sweeps

Catalog No.	Description	List Price
BK1403W	Tractor with single phase TEFC motor	\$2,982.00
BK1404W	Tractor with single phase explosion proof motor	N/A
BK1405W	Tractor with 208-230/460 volt motor - 3 phase	2,835.00
BK1406W	Tractor with 208-230/460 explosion proof motor - 3 phase	3,358.00
BK1407W	Tractor with 575 volt motor - 3 phase	2,798.00
BK1408W	Tractor with 575 volt explosion proof motor	3,395.00

Weights are not included with tractors listed above.

Sweep Tractor Weights

Catalog No.	Description	Weight	List Price
BK1411W	Cast iron weight	50 lbs. (23 kg)	\$ 130.00



COMMERCIAL KLEAN SWEEP REPLACEMENT HEAD DRIVE w/OIL BATH REDUCTION

Catalog No.	Description	No. of Belts	List Price
BK0800DSR	68 Commercial Sweep 2-1 Chain Reduction Oil Bath	2	\$ 967.00
BK1000DSR	810 Commercial Sweep 2-1 Chain Reduction Oil Bath	2	873.00
BK1200DSR	1012 Commercial Sweep 3-1 Chain Reduction Oil Bath	2	1,259.00
BK1400DSR	1214 Commercial Sweep 3-1 Chain Reduction Oil Bath	3	1,265.00
BK1401DSR	1214 Commercial Sweep 5-1 Gear Reduction 80' to 120' (24.38 m to 36.58 m) Bin Dia.	3	2,612.00

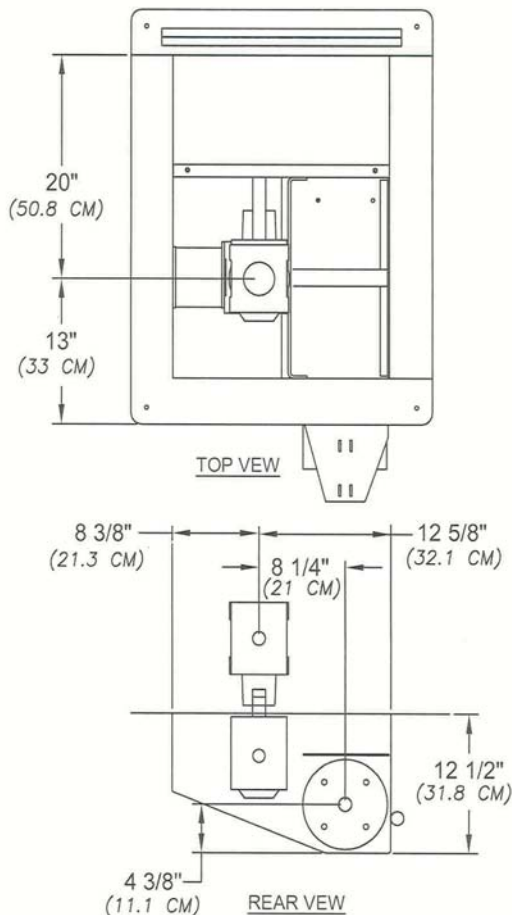
8" (20.3 cm) HEAVY DUTY POWER SWEEP

Utilizes 7" (17.8 cm) O.D. x 7 gauge (4.5 mm) sweep flight on 1-7/8" (48 mm) tube. 7" (17.8 cm) O.D. x 1/4" (6 mm) unload flight on 1-7/8" (48 mm) tube. Include heavy duty double gearbox and heavy duty clutch. Square stub at center well for attachment to unload auger.

The following kits are available. Each includes unloading tube, unloading flight, center well, intermediate wells, rack and pinion control for well gates, control pipes for well gates, sweep flight with back shields, sweep carrier (48' (14.63 m) & larger bins), and reduction drive sweep end wheel.

Catalog No.	Bin Dia.	No. of Int. Wells	Power		Weight	List Price
			Horizontal Power Head	25° Power Head		
BJ12760P	30' (9.14 m)	2	7-1/2 HP (5.5 kw)	10 HP (7.5 kw)	736 lbs. (334 kg)	\$5,053.00
BJ12780P	36' (10.97 m)	3	7-1/2 HP (5.5 kw)	10 HP (7.5 kw)	827 lbs. (375 kg)	5,603.00
BJ12800P	42' (12.80 m)	4	10 HP (7.5 kw)	15 HP (11 kw)	932 lbs. (423 kg)	6,181.00
BJ12810P	48' (14.63 m)	4	10 HP (7.5 kw)	15 HP (11 kw)	1,045 lbs. (474 kg)	6,388.00
BJ12820P	54' (16.46 m)	4	10 HP (7.5 kw)	15 HP (11 kw)	1,120 lbs. (508 kg)	6,570.00
BJ12830P	60' (18.29 m)	5	15 HP (11 kw)	15 HP (11 kw)	1,255 lbs. (569 kg)	7,057.00
BJ12840P	72' (21.95 m)	6	15 HP (11 kw)	20 HP (15 kw)	1,465 lbs. (665 kg)	7,848.00

The horsepower shown includes the amount needed for the power head. For a vertical power head, use the double drive kind in the 10" (25.4 cm) size. Use the horsepower listed for a horizontal power head for the horizontal drive. A 10" (25.4 cm) vertical (25.4 cm) will need 7-1/2 HP (5.5 kw). See pages 4-6 in this section for power head listings.



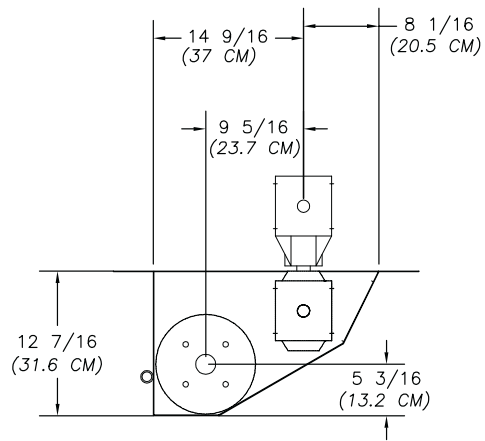
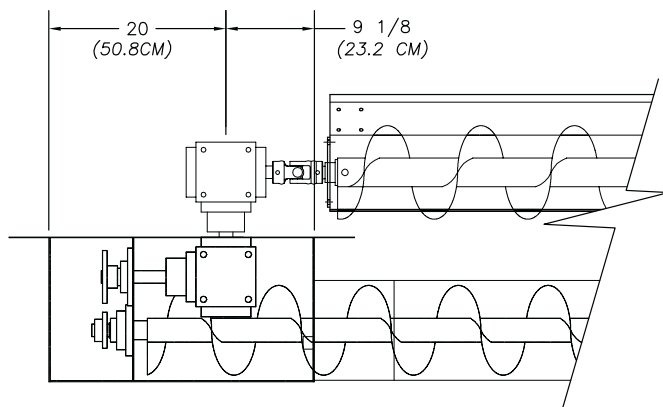
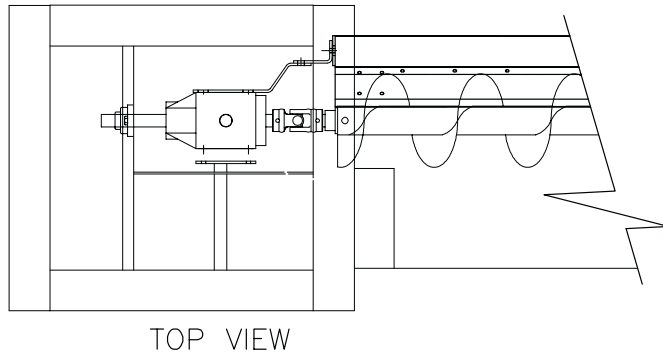
10" (25.4 cm) HEAVY DUTY POWER SWEEP

Utilizes 9" (22.9 cm) O.D. x 1/4" (6 mm) unload flight on 2-3/8" (60 mm) tube. Larger sweep drive gearbox with No. 60 Roller Chain Drive. Square stub at center well for attachment to unload auger.

The following kits are available. Each includes unloading tube, unloading flight, center well, intermediate wells, rack and pinion control for well gates, control pipes for well gates, sweep flight with back shields, sweep carrier 48' (14.63 m) & larger bins, an reduction drive sweep end wheel.

Catalog No.	Bin Dia.	No. of Int. Wells	Power		Weight	List Price
			Horizontal Power Head	25° Power Head		
BJ13762P	30' (9.14 m)	2	10 HP (7.5 kw)	15 HP (11 kw)	1,115 lbs. (506 kg)	\$6,489.00
BJ13782P	36' (10.97 m)	3	15 HP (11 kw)	15 HP (11 kw)	1,210 lbs. (549 kg)	6,939.00
BJ13802P	42' (12.80 m)	4	15 HP (11 kw)	15 HP (11 kw)	1,351 lbs. (613 kg)	7,402.00
BJ13812P	48' (14.63 m)	4	15 HP (11 kw)	20 HP (15 kw)	1,534 lbs. (696 kg)	8,158.00
BJ13822P	54' (16.46 m)	4	20 HP (15 kw)	20 HP (15 kw)	1,641 lbs. (744 kg)	8,361.00
BJ13832P	60' (18.29 m)	5	20 HP (15 kw)	20 HP (15 kw)	1,844 lbs. (836 kg)	9,122.00
BJ13842P	72' (21.95 m)	6	20 HP (15 kw)	25 HP (18.5 kw)	2,149 lbs. (975 kg)	9,984.00

The power shown includes the amount needed for the power head. For a vertical power head, use the double drive kind in the 12" (30.5 cm) size. Use the horsepower listed for a horizontal power head for the horizontal drive. A 12" (30.5 cm) vertical will need 10 HP (7.5 kw). See pages 4-6 in this section for power head listings.



NEW COMMERCIAL POWER SWEEP FOR GRAIN PUMP LOOPS AND OTHER UNLOADING SYSTEMS

Hutchinson has developed a unique concept to adapt Power Sweeps for various unloading systems.

This Power Sweep has a separate drive for the sweep unit. Unloading is through the center well and intermediate wells. When grain will no longer flow through the center well or any intermediate wells, the Power Sweep is started. Power is transmitted to the sweep through a separate drive. The 1" (25 mm) solid drive shaft is carried on 1" (25 mm) bearings in a 6" (15.2 cm) tube. A separate motor direct drives this unit.

The standard sweep drive for the Commercial Power Sweep is 90° to the unloader. Commercial Power Sweeps may be adapted to grain pump loops, auger unloaders, u-trough, en masse or drag conveyors, etc. For special applications, consult the factory for information.

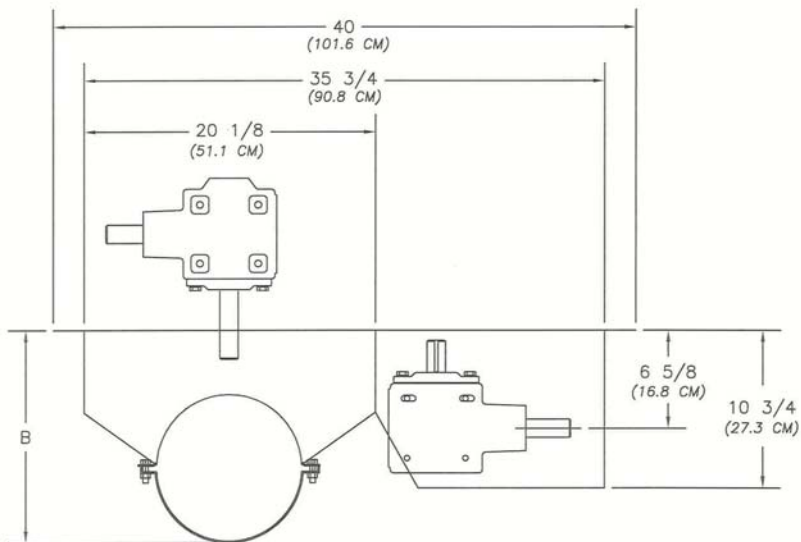
The sweep and back shield are supplied in sections. It is recommended that the center portion be used first and then add on sections in sequence until the entire Power Sweep has been assembled and the bin unloaded.

Commercial Power Sweeps should not be installed in concrete unless troughs or tunnels are used for the drive and the unloading components.

One Sweep carrier assembly is standard with all units of 48' (14.63 m) diameter bins and larger.

NEW COMMERCIAL POWER SWEEP DIMENSIONAL INFORMATION

WHEN USED WITH 6", 8", 10" OR 12" (15.2 cm, 20.3 cm, 25.4 cm or 30.5 cm) GRAIN PUMP LOOPS



Unloading Diameter	B
6" (15.2 cm)	10-1/2" (26.7 cm)
8" (20.3 cm)	12-1/2" (31.8 cm)
10" (25.4 cm)	14-1/2" (36.8 cm)
12" (30.5 cm)	16-1/2" (41.9 cm)

NEW COMMERCIAL POWER SWEEP FOR GRAIN PUMPS AND OTHER UNLOADING SYSTEMS

The Commercial Power Sweep consists of the center well, intermediate wells, sweep, sweep drive, well gate controls and reduction sweep wheel. The unload system, which can be tube type, u-trough or mass-ter mover, is ordered separately.

The following lists include commercial power sweeps for 6", 8", 10" & 12" (15.2 cm, 20.3 cm, 25.4 cm & 30.5 cm) tube type unload systems. For u-trough unloaders, add a "-U" to the catalog number and specify the u-trough size. For Mass-ter Movers and Mass-Ter Flow conveyors, add a "-M" to the catalog number and specify model and size.

600 SERIES

FOR 6" (15.2 cm) TUBE TYPE UNLOADER* (Includes 7" (17.8 cm) O.D. Sweep Flight)

Catalog No.	Bin Dia.	No. of Int. Wells	Power	Weight	List Price
P06361P	36' (10.97 m)	3	3 HP (2.2 kw)	942 lbs. (427 kg)	\$6,322.00
P06421P	42' (12.80 m)	4	3 HP (2.2 kw)	1,061 lbs. (481 kg)	6,571.00
P06481P	48' (14.63 m)	4	5 HP (4 kw)	1,154 lbs. (523 kg)	7,309.00
P06541P	54' (16.46 m)	4	5 HP (4 kw)	1,212 lbs. (550 kg)	7,532.00
P06601P	60' (18.29 m)	5	5 HP (4 kw)	1,303 lbs. (591 kg)	7,960.00

800 SERIES

FOR 8" (20.3 cm) TUBE TYPE UNLOADER* (Includes 9" (22.9 cm) O.D. Sweep Flight)

Catalog No.	Bin Dia.	No. of Int. Wells	Power	Weight	List Price
P08362P	36' (10.97 m)	3	5 HP (4 kw)	1,102 lbs. (500 kg)	\$6,668.00
P08422P	42' (12.80 m)	4	5 HP (4 kw)	1,289 lbs. (585 kg)	7,097.00
P08482P	48' (14.63 m)	4	7-1/2 HP (5.5 kw)	1,336 lbs. (606 kg)	7,835.00
P08542P	54' (16.46 m)	4	7-1/2 HP (5.5 kw)	1,402 lbs. (636 kg)	8,058.00
P08602P	60' (18.29 m)	5	7-1/2 HP (5.5 kw)	1,605 lbs. (728 kg)	8,486.00

1000 SERIES

FOR 10" (25.4 cm) TUBE TYPE UNLOADER* (Includes 9" (22.9 cm) O.D. Sweep Flight)

Catalog No.	Bin Dia.	No. of Int. Wells	Power	Weight	List Price
P10362P	36' (10.97 m)	3	5 HP (4 kw)	999 lbs. (453 kg)	\$ 6,514.00
P10422P	42' (12.80 m)	4	5 HP (4 kw)	1,102 lbs. (500 kg)	7,068.00
P10482P	48' (14.63 m)	4	7-1/2 HP (5.5 kw)	1,316 lbs. (597 kg)	7,813.00
P10542P	54' (16.46 m)	4	7-1/2 HP (5.5 kw)	1,411 lbs. (640 kg)	8,023.00
P10602P	60' (18.29 m)	5	7-1/2 HP (5.5 kw)	1,506 lbs. (683 kg)	8,494.00
P10722P	72' (21.95 m)	6	10 HP (7.5 kw)	1,851 lbs. (840 kg)	9,491.00
P10752P	75' (22.86 m)	6	10 HP (7.5 kw)	1,950 lbs. (885 kg)	9,585.00

1200 SERIES

FOR 12" (30.5 cm) TUBE TYPE UNLOADER* (Includes 9" (22.9 cm) O.D. Sweep Flight)

Catalog No.	Bin Dia.	No. of Int. Wells	Power	Weight	List Price
P12362P	36' (10.97 m)	3	5 HP (4 kw)	1,031 lbs. (468 kg)	\$ 6,562.00
P12422P	42' (12.80 m)	4	5 HP (4 kw)	1,132 lbs. (513 kg)	7,115.00
P12482P	48' (14.63 m)	4	7-1/2 HP (5.5 kw)	1,348 lbs. (611 kg)	7,862.00
P12542P	54' (16.46 m)	4	7-1/2 HP (5.5 kw)	1,443 lbs. (654 kg)	8,071.00
P12602P	60' (18.29 m)	5	7-1/2 HP (5.5 kw)	1,538 lbs. (697 kg)	8,542.00
P12722P	72' (21.95 m)	6	10 HP (7.5 kw)	1,883 lbs. (854 kg)	9,539.00
P12752P	75' (22.86 m)	6	10 HP (7.5 kw)	1,982 lbs. (899 kg)	9,634.00

*Requires tube cap for auger unloaders, see page 18.

**NEW COMMERCIAL POWER SWEEP
FOR GRAIN PUMPS AND OTHER UNLOADING SYSTEMS****TUBE CAPS FOR AUGER UNLOADERS**

Catalog No.	Tube Size	Weight	List Price
P06000P	6" (15.2 cm)	5 lbs. (2 kg)	\$34.00
P08000P	8" (20.3 cm)	6 lbs. (3 kg)	38.00
P10000P	10" (25.4 cm)	8 lbs. (4 kg)	43.00
P12000P	12" (30.5 cm)	14 lbs. (6 kg)	48.00

INTERMEDIATE WELLS

Catalog No.	Tube Size	Weight	List Price
P1656A	6" (15.2 cm)	39 lbs. (18 kg)	\$ 289.00
P1856A	8" (20.3 cm)	43 lbs. (20 kg)	289.00
P1056A	10" (25.4 cm)	49 lbs. (22 kg)	315.00
P1256A	12" (30.5 cm)	53 lbs. (24 kg)	315.00