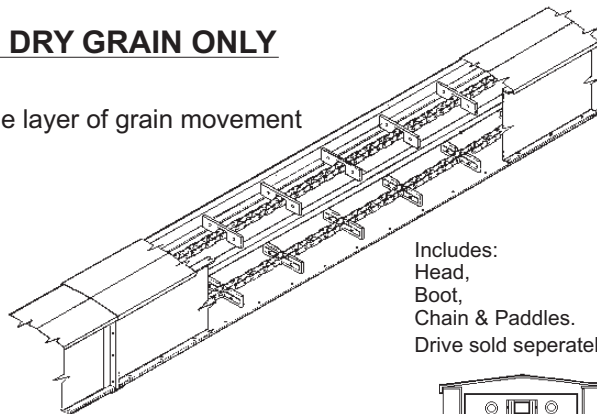


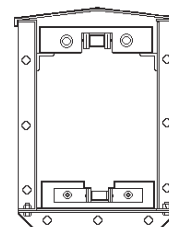
## MASS-TER FLOW DRAG CONVEYOR

### FOR HORIZONTAL USE WITH DRY GRAIN ONLY

1. Economical single trunk construction.
2. Shallow paddle design requires small return area allowing large layer of grain movement (high capacity).
3. Capacities from 2500 BPH (68 TPH) to 15,000 BPH. (405 TPH)
4. UHMW plastic paddles for quiet, smooth operation.
5. High working strength roller chain.
6. Dodge drives for dependability.
7. 4 hole flange bearings throughout.
8. Easily removed cover for access and cleanout.
9. Easily installed inlets and discharges.
10. Fast assembly with jig flanged and welded sections.
11. Optional AR plate liner available for bottom for extra life or for very dirty grain conditions.
12. 12 ga. (2.66 mm) sides, 10 ga. (3.43 mm) bottom for long life (millions of bushels).
13. A maximum span is 30' (9.14 m).  
A 40' (12.19 m) truss is available for support of spans up to 50' (15.24 m).
14. Optional reversible drive available for two-way conveyor operation.

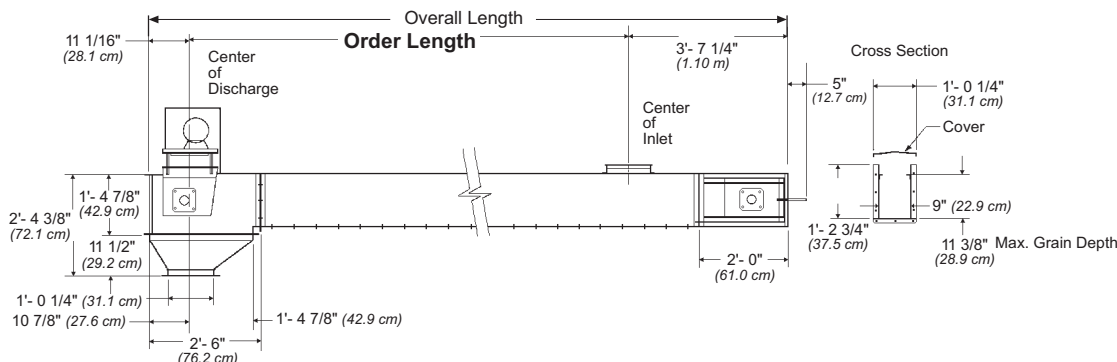


Includes:  
Head,  
Boot,  
Chain & Paddles.  
Drive sold separately.



### 9" MASS-TER FLOW DRAG CONVEYOR

Note: Add 4' - 7" (1.40 m) to Order Length for approx. Overall Length



#### SPECIFICATIONS:

HOUSING SIZE: 9" (22.9 cm) wide x 14- 3/4" (37.5 cm) tall  
 BOTTOM: 10 Ga. (3.43 mm) Galvanized  
 SIDES: 12 Ga. (2.66 mm) Galvanized  
 COVER: 16 Ga. (1.52 mm) clamped in place, Galvanized  
 CHAIN: 81X  
 PADDLES: UHMW, 13" (33.0 cm) spacing  
 Return: Continuous rail type  
 MAX. GRAIN DEPTH: 11 3/8" (28.9 cm)  
 HEAD: 10 Ga. (3.43 mm) Galvanized, 30" (76.2 cm) long  
 BOOT: 12 Ga. (2.66 mm) Galvanized with take-up, 24" (61.0 cm) long  
 TAIL SHAFT: 1-1/2" (38 mm) dia.  
 HEAD SHAFT: Variable, as follows:  
 1-1/2" (38 mm) dia. for 10' to 35' (3.05 m-10.67 m)  
 2" (51 mm) dia. for 10' to 125' (3.05 m-38.10 m)  
 2-7/16" (62 mm) dia. for 130' to 210' (39.62 m-64.01 m)

9" CAPACITY	CHAIN SPEED	HEAD SHAFT RPM
2500 BPH (68 TPH)	80 FPM (24.38 mpm)	30 RPM
5000 BPH (135 TPH)	160 FPM (48.77 mpm)	60 RPM
7500 BPH (203 TPH)	240 FPM (73.15 mpm)	90 RPM
10,000 BPH (270 TPH)	320 FPM (97.54 mpm)	120 RPM

Approximately 1/3 capacity loss on highly abrasive grains, i.e. soybeans, popcorn, rice, feed stuffs, etc. Moisture from dryer vent and humidity can affect capacity.

### 9" Mass-Ter Flow Conveyor Sections

	Center of Inlet to Center of Discharge	
D09010	10' (3.05 m)	\$ 2,843.00
D09015	15' (4.57 m)	3,464.00
D09020	20' (6.10 m)	3,931.00
D09025	25' (7.62 m)	4,523.00
D09030	30' (9.14 m)	5,045.00
<hr/>		
D09035	35' (10.67 m)	5,774.00
D09040	40' (12.19 m)	6,260.00
D09045	45' (13.72 m)	6,869.00
D09050	50' (15.24 m)	7,337.00
D09055	55' (16.76 m)	7,983.00
<hr/>		
D09060	60' (18.29 m)	8,932.00
D09065	65' (19.81 m)	9,029.00
D09070	70' (21.34 m)	9,545.00
D09075	75' (22.86 m)	10,155.00
D09080	80' (24.38 m)	10,676.00
<hr/>		
D09085	85' (25.91 m)	11,268.00
D09090	90' (27.43 m)	11,751.00
D09095	95' (28.96 m)	12,363.00
D09100	100' (30.48 m)	12,867.00
D09105	105' (32.00 m)	13,474.00
<hr/>		
D09110	110' (33.53 m)	13,961.00
D09115	115' (35.05 m)	14,570.00
D09120	120' (36.58 m)	15,056.00
D09125	125' (38.10 m)	15,909.00
D09130	130' (39.62 m)	16,986.00
<hr/>		
D09135	135' (41.15 m)	17,595.00
D09140	140' (42.67 m)	18,099.00
D09145	145' (44.20 m)	18,563.00
D09150	150' (45.72 m)	19,195.00
D09155	155' (47.24 m)	19,838.00
<hr/>		
D09160	160' (48.77 m)	20,326.00
D09165	165' (50.29 m)	20,930.00
D09170	170' (51.82 m)	21,417.00
D09175	175' (53.34 m)	22,029.00
D09180	180' (54.86 m)	22,549.00
<hr/>		
D09185	185' (56.39 m)	23,157.00
D09190	190' (57.91 m)	23,661.00
D09195	195' (59.44 m)	24,268.00
D09200	200' (60.96 m)	24,757.00
D09205	205' (62.48 m)	25,400.00
<hr/>		
D09210	210' (64.01 m)	25,888.00
D09215	215' (65.53 m)	26,493.00
D09220	220' (67.06 m)	26,979.00
D09225	225' (68.58 m)	27,607.00
D09230	230' (70.10 m)	28,127.00
<hr/>		
D09235	235' (71.63 m)	28,733.00
D09240	240' (73.15 m)	29,226.00

To calculate shipping weight, use 29.4 lb. per foot of conveyor.

AR Plate - Add \$14.50/ft. of conveyor.  
It is only installed in the bottom of the conveyor.

AR Plate - (Bottom and sides)  
Add \$44.00/ft. of conveyor.

### 9" Mass-Ter Flow Drives

Inlet To Discharge Length	80 FPM (24.38 mpm) 2500 BPH (68 TPH) (30 RPM)	Reducer (SCXT)	Weight lbs. (kg)
10' to 25' (3.05 m-7.62 m)	D09301 1 hp (.75 kw)	125	180 (82)
30' to 55' (9.14 m-16.76 m)	D09302 2 hp (1.5 kw)	225	205 (93)
60' to 85' (18.29 m-25.91 m)	D09303 3 hp (2.2 kw)	225	205 (93)
90' to 140' (27.43 m-42.67 m)	D09304 5 hp (4 kw)	325	285 (129)
145' to 210' (44.20 m-64.01 m)	D09305 7-1/2 hp (5.5 kw)	425	285 (129)
215' to 240' (65.53 m-73.15 m)	D09306 10 hp (7.5 kw)	525	385 (175)

Inlet To Discharge Length	160 FPM (48.77 mpm) 5000 BPH (135 TPH) (60 RPM)	Reducer (SCXT)	Weight lbs. (kg)
10' to 40' (3.05 m-12.19 m)	D09307 3 hp (2.2 kw)	125	180 (82)
45' to 70' (13.72 m-21.34 m)	D09308 5 hp (4 kw)	225	205 (93)
75' to 105' (22.86 m-32.00 m)	D09309 7-1/2 hp (5.5 kw)	325	245 (111)
110' to 140' (33.53 m-42.67 m)	D09310 10 hp (7.5 kw)	325	285 (129)
145' to 210' (44.20 m-64.01 m)	D09311 15 hp (11 kw)	425	385 (175)
215' to 240' (65.53 m-73.15 m)	D09312 20 hp (15 kw)	515	385 (175)

Inlet To Discharge Length	240 FPM (73.15 mpm) 7500 BPH (203 TPH) (90 RPM)	Reducer (SCXT)	Weight lbs. (kg)
10' to 25' (3.05 m-7.62 m)	D09313 3 hp (2.2 kw)	115	180 (82)
30' to 45' (9.14 m-13.72 m)	D09327 5 hp (4 kw)	215	205 (93)
50' to 70' (15.24 m-21.34 m)	D09314 7-1/2 hp (5.5 kw)	215	205 (93)
75' to 90' (22.86 m-27.43 m)	D09315 10 hp (7.5 kw)	315	245 (111)
95' to 140' (28.96 m-42.67 m)	D09316 15 hp (11 kw)	415	290 (132)
145' to 185' (44.20 m-56.39 m)	D09317 20 hp (15 kw)	415	385 (175)
190' to 235' (57.91 m-71.63 m)	D09318 25 hp (18.5 kw)	515	392 (177)
240' (73.15 m)	D09319 30 hp (22 kw)	515	512 (232)

Inlet To Discharge Length	320 FPM (97.54 mpm) 7500 BPH (270 TPH) (120 RPM)	Reducer (SCXT)	Weight lbs. (kg)
10' to 35' (3.05 m-10.67 m)	D09320 5 hp (4 kw)	115	180 (82)
40' to 70' (12.19 m-21.34 m)	D09321 10 hp (7.5 kw)	215	202 (92)
75' to 105' (22.86 m-32.00 m)	D09322 15 hp (11 kw)	315	285 (129)
110' to 140' (33.53 m-42.67 m)	D09323 20 hp (15 kw)	415	290 (132)
145' to 175' (44.20 m-53.34 m)	D09324 25 hp (18.5 kw)	415	290 (132)
180' to 210' (54.86 m-64.01 m)	D09325 30 hp (22 kw)	515	390 (177)
215' to 240' (65.53 m-73.15 m)	D09326 40 hp (30 kw)	515	512 (232)

For reversible drive - Add \$386.00 for larger boot shaft and bearings.

For drives on right-hand, Add \$150.00.

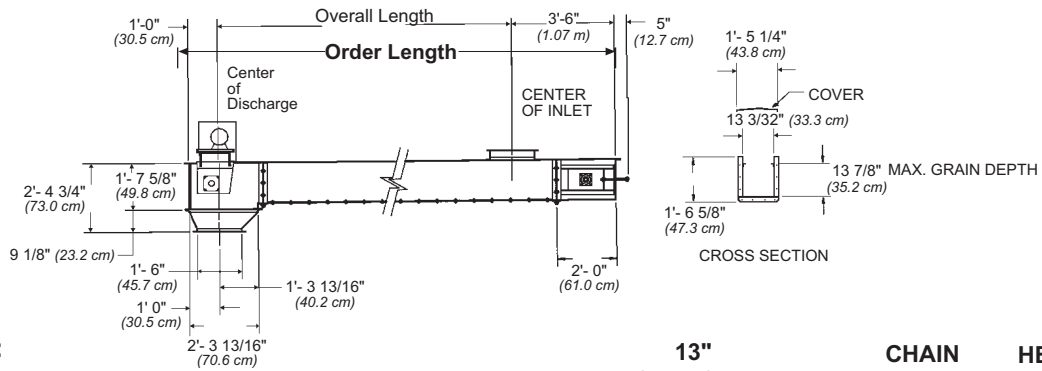
### 9" Accessories

D09601	90° Discharge Spout	\$ 178.00
D09602	90° Intermediate Discharge	794.00
D09602-E	90° Intermediate Discharge - Electric	2,780.00
D09605	Center Well	572.00
D09604	Int. Well	451.00
D09606	Rack & Pinion Control	279.00
D09608	Inlet Adapter	130.00
D09609	40' (12.19 m) Truss	3,038.00
1029624	Cup for Paddle (clean-out)	*PPS

\*PPS - See 2010 Parts Price Book for List price.

## 13" MASS-TER FLOW DRAG CONVEYOR

NOTE: Add 4'-6" (1.37 m) To Order Length For approx. Overall Length.



### SPECIFICATIONS:

HOUSING SIZE: 13" (33.0 cm) wide x 16- 7/8" (42.9 cm) tall  
 BOTTOM: 10 Ga. (3.43 mm) Galvanized  
 SIDES: 12 Ga. (2.66 mm) Galvanized  
 COVER: 16 Ga. (1.52 mm) clamped in place, Galvanized  
 CHAIN: 81X  
 PADDLES: UHMW , 13" (33.0 cm) spacing  
 Return: Continuous rail type  
 MAX. GRAIN DEPTH: 13 7/8" (35.2 cm)  
 HEAD: 7 Ga. (4.5 mm) Galvanized, 30" (76.2 cm) long  
 BOOT: 10 Ga. (3.43 mm) Galvanized with take-up, 24" (61.0 cm) long  
 TAIL SHAFT: 2" (51 mm) dia.  
 HEAD SHAFT: Variable, as follows:  
     2" (51 mm) dia. for 10' to 80' (3.05 m-24.38 m)  
     2 7/16" (62 mm) dia. for 85' to 140' (25.91 m-42.67 m)  
     2-15/16" (75 mm) dia. for 145' to 230' (44.20 m-70.10 m)

13" CAPACITY	CHAIN SPEED	HEAD SHAFT RPM
7500 BPH (203 TPH)	130 FPM (39.62 mpm)	37 RPM
10,000 BPH (270 TPH)	173 FPM (52.73 mpm)	50 RPM
12,500 BPH (338 TPH)	216 FPM (65.84 mpm)	62 RPM
15,000 BPH (405 TPH)	260 FPM (79.25 mpm)	75 RPM

Approximately 1/3 capacity loss on highly abrasive grains, i.e. soybeans, popcorn, rice, feed stuffs, etc. Moisture from dryer vent and humidity can affect capacity.

### 13" Mass-Ter Flow Conveyor Section

	Center of Inlet to Center of Discharge			Center of Inlet to Center of Discharge	
D13010	10' (3.05 m)	\$ 3,272.00	D13125	125' (38.10 m)	\$ 18,045.00
D13015	15' (4.57 m)	3,950.00	D13130	130' (39.62 m)	18,603.00
D13020	20' (6.10 m)	4,521.00	D13135	135' (41.15 m)	19,281.00
D13025	25' (7.62 m)	5,200.00	D13140	140' (42.67 m)	20,525.00
D13030	30' (9.14 m)	5,723.00	D13145	145' (44.20 m)	21,576.00
D13035	35' (10.67 m)	6,401.00	D13150	150' (45.72 m)	22,215.00
D13040	40' (12.19 m)	6,941.00	D13155	155' (47.24 m)	22,912.00
D13045	45' (13.72 m)	7,139.00	D13160	160' (48.77 m)	23,511.00
D13050	50' (15.24 m)	8,191.00	D13165	165' (50.29 m)	24,235.00
D13055	55' (16.76 m)	8,851.00	D13170	170' (51.82 m)	24,806.00
D13060	60' (18.29 m)	9,406.00	D13175	175' (53.34 m)	25,545.00
D13065	65' (19.81 m)	10,068.00	D13180	180' (54.86 m)	26,142.00
D13070	70' (21.34 m)	10,642.00	D13185	185' (56.39 m)	26,838.00
D13075	75' (22.86 m)	11,425.00	D13190	190' (57.91 m)	27,437.00
D13080	80' (24.38 m)	12,101.00	D13195	195' (59.44 m)	28,133.00
D13085	85' (25.91 m)	12,781.00	D13200	200' (60.96 m)	28,776.00
D13090	90' (27.43 m)	13,632.00	D13205	205' (62.48 m)	29,469.00
D13095	95' (28.96 m)	14,329.00	D13210	210' (64.01 m)	30,067.00
D13100	100' (30.48 m)	14,900.00	D13215	215' (65.53 m)	30,765.00
D13105	105' (32.00 m)	15,455.00	D13220	220' (67.06 m)	31,361.00
D13110	110' (33.53 m)	16,117.00	D13225	225' (68.58 m)	32,101.00
D13115	115' (35.05 m)	17,034.00	D13230	230' (70.10 m)	32,748.00
D13120	120' (36.58 m)	17,351.00	D13235	235' (71.63 m)	33,395.00

AR Plate - Add \$ 17.00/ft. (30.5 cm) of conveyor.  
 It is only installed in the bottom of the conveyor.

To calculate shipping weight, use 30.5 lb. (14 kg)  
 per foot (30.5 cm) of conveyor.

### 13" Mass-Ter Flow Drives

### 13" Accessories

Inlet To Discharge Length	130 FPM (36.92 mpm) 7500 BPH (203 TPH) (37 RPM)	Reducer (SCXT)	Weight lbs. (kg)		
10' to 25' (3.05 m-7.62 m)	D13501	3 hp (2.2 kw)	225	202 (92)	\$3,213.00
30' to 45' (9.14 m-13.72 m)	D13502	5 hp (4 kw)	325	243 (110)	3,840.00
50' to 70' (15.24 m-21.34 m)	D13503	7.5 hp (5.5 kw)	425	285 (129)	4,856.00
75' to 95' (22.86 m-28.96 m)	D13504	10 hp (7.5 kw)	425	285 (129)	4,856.00
100' to 140' (30.48 m-42.67 m)	D13505	15 hp (11 kw)	525	385 (175)	6,039.00
145' to 190' (44.20 m-57.91 m)	D13506	20 hp (15 kw)	615	510 (231)	8,099.00
195' to 235' (59.44 m-71.63 m)	D13507	25 hp (18.5 kw)	615	510 (231)	8,099.00

Inlet To Discharge Length	173 FPM (52.73 mpm) 10,000 BPH (270 TPH) (50 RPM)	Reducer (SCXT)	Weight lbs. (kg)		
10' to 35' (3.05 m-10.67 m)	D13512	3-5 hp (2.2-4 kw)	225	202 (92)	\$3,209.00
40' to 50' (12.19 m-15.24 m)	D13513	7.5 hp (5.5 kw)	325	243 (110)	3,834.00
55' to 70' (16.76 m-21.34 m)	D13514	10 hp (7.5 kw)	425	285 (129)	4,862.00
75' to 105' (22.86 m-32.00 m)	D13515	15 hp (11 kw)	525	385 (175)	6,030.00
110' to 140' (33.53 m-42.67 m)	D13516	20 hp (15 kw)	525	385 (175)	6,030.00
145' to 175' (44.20 m-53.34 m)	D13517	25 hp (18.5 kw)	615	503 (228)	8,131.00
180' to 210' (54.86 m-64.01 m)	D13518	30 hp (22 kw)	615	510 (231)	8,131.00

Inlet To Discharge Length	216 FPM (65.84 mpm) 12,500 BPH (338 TPH) (62 RPM)	Reducer (SCXT)	Weight lbs. (kg)		
10' to 25' (3.05 m-7.62 m)	D13522	5 hp (4 kw)	225	202 (92)	\$3,237.00
30' to 40' (9.14 m-12.19 m)	D13523	7.5 hp (5.5 kw)	325	243 (110)	3,909.00
45' to 55' (13.72 m-16.76 m)	D13524	10 hp (7.5 kw)	325	243 (110)	3,909.00
60' to 85' (18.29 m-25.91 m)	D13525A	15 hp (11 kw)	415	285 (129)	4,894.00
90' to 110' (27.43 m-33.53 m)	D13525B	20 hp (15 kw)	515	385 (175)	6,520.00
115' to 140' (35.05 m-42.67 m)	D13527A	25 hp (18.5 kw)	515	385 (175)	6,520.00
145' to 170' (44.20 m-51.82 m)	D13527B	30 hp (22 kw)	615	512 (232)	8,236.00
175' to 225' (53.34 m-68.58 m)	D13529A	40 hp (30 kw)	615	512 (232)	8,286.00

Inlet To Discharge Length	260 FPM (79.25 mpm) 15,000 BPH (405 TPH) (75 RPM)	Reducer (SCXT)	Weight lbs. (kg)		
10' to 20' (3.05 m-6.10 m)	D13533	5 hp (4 kw)	215	202 (92)	\$3,256.00
25' to 35' (7.62 m-10.67 m)	D13534	7.5 hp (5.5 kw)	215	202 (92)	3,256.00
40' to 45' (12.19 m-13.72 m)	D13535	10 hp (7.5 kw)	315	243 (110)	3,923.00
50' to 70' (15.24 m-21.34 m)	D13536	15 hp (11 kw)	415	285 (129)	4,928.00
75' to 95' (22.86 m-28.96 m)	D13537	20 hp (15 kw)	515	385 (175)	6,528.00
100' to 120' (30.48 m-36.58 m)	D13538A	25 hp (18.5 kw)	515	385 (175)	6,528.00
125' to 140' (38.10 m-42.67 m)	D13538B	30 hp (22 kw)	615	512 (232)	8,293.00
145' to 235' (44.20 m-71.63 m)	D13539	40-50 hp (30-37 kw)	615	512 (232)	8,293.00

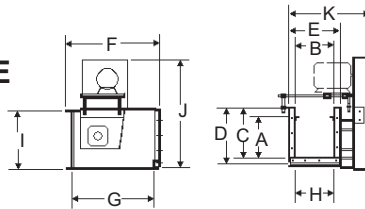
For reversible drive - Add \$386.00  
for larger boot shaft and bearings.

For drives on right-hand, Add \$150.00.

Catalog No.	Description	Weight lbs. (kg)	
D13601	90° Discharge Spout	40 (18 kg)	\$ 179.00
D13602	90° Int. Discharge	120 (54 kg)	1,115.00
D13603	90° Int. Discharge - Pneumatic	135 (61 kg)	2,698.00
J3280A	Center Well	103 (47 kg)	584.00
J3281A	Int. Well	99 (45 kg)	414.00
D13606	Rack & Pinion	24 (11 kg)	280.00
D13608	Inlet Adapter	55 (25 kg)	135.00
D13609	40' (12.19 m) Truss	500 (227 kg)	2,867.00
1029671	Cup for Paddle (clean-out)	1 (.45 kg)	*PPB

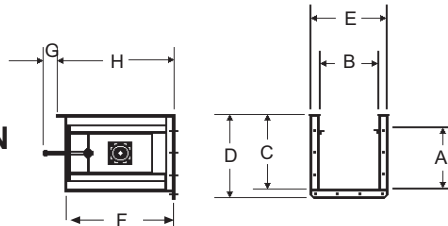
\*PPB - See 2010 Parts Price Book for List

## REDUCER DRIVE



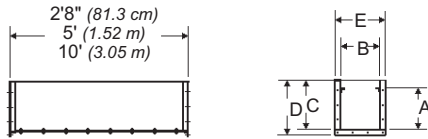
MODEL	A	B	C	D	E	F	G	H	I	J	K
9" (22.9 cm)	11-3/8" (28.9 cm)	9-3/32" (23.1 cm)	14-3/4" (37.5 cm)	15-7/8" (40.3 cm)	11-13/16" (30.0 cm)	31-3/8" (79.7 cm)	27-7/8" (70.8 cm)	9-1/32" (22.9 cm)	16-3/4" (42.5 cm)	36" (91.4 cm)	25" (63.5 cm)
13" (33.0 cm)	13-7/8" (35.2 cm)	12-15/16" (32.9 cm)	16-3/4" (42.5 cm)	18-5/8" (47.3 cm)	16-13/16" (42.7 cm)	31-7/8" (81.0 cm)	27-13/16" (70.6 cm)	12-15/16" (32.9 cm)	19-5/8" (49.8 cm)	38" (96.5 cm)	35" (88.9 cm)

## BOOT SECTION

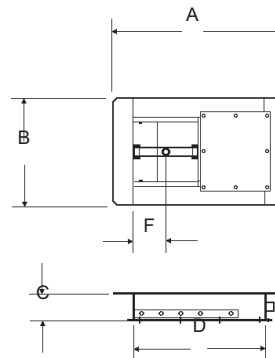
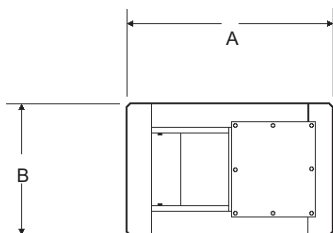


MODEL	A	B	C	D	E	F	G	H
9" (22.9 cm)	11-3/8" (28.9 cm)	9-3/32" (23.1 cm)	14-3/4" (37.5 cm)	15-7/8" (40.3 cm)	11-13/16" (30.0 cm)	24" (61.0 cm)	5" (12.7 cm)	25" (63.5 cm)
13" (33.0 cm)	13-7/8" (35.2 cm)	13-3/32" (33.3 cm)	16-3/4" (42.5 cm)	18-3/4" (47.6 cm)	16-13/16" (42.7 cm)	24" (61.0 cm)	5" (12.7 cm)	25-3/4" (65.4 cm)

## CONVEYOR SECTIONS



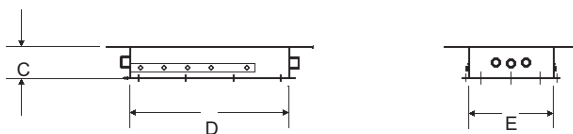
MODEL	A	B	C	D	E
9" (22.9 cm)	11-3/8" (28.9 cm)	9-3/32" (23.1 cm)	14-3/4" (37.5 cm)	15-7/8" (40.3 cm)	11-13/16" (30.0 cm)
13" (33.0 cm)	13-7/8" (35.2 cm)	13-3/32" (33.3 cm)	16-3/4" (42.5 cm)	18-5/8" (47.3 cm)	16-13/16" (42.7 cm)



## CENTER WELL

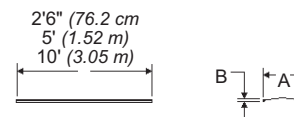
	A	B	C	D	E	
9" (22.9 cm)	34-3/4" (88.3 cm)	22-1/4" (56.5 cm)	5-3/8" (13.7 cm)	26-5/8" (67.6 cm)	14" (35.6 cm)	6-1/2" (16.5 cm)
13" (33.0 cm)	34-3/4" (88.3 cm)	22-1/4" (56.5 cm)	5-3/8" (13.7 cm)	26-5/8" (67.6 cm)	14" (35.6 cm)	6-1/2" (16.5 cm)

## INTERMEDIATE WELL



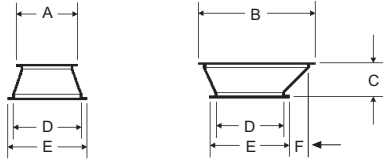
MODEL	A	B	C	D	E
9" (22.9 cm)	34-3/4" (88.3 cm)	22-1/4" (56.5 cm)	5-1/2" (14.0 cm)	26-5/8" (67.6 cm)	14" (35.6 cm)
13" (33.0 cm)	34-3/4" (88.3 cm)	22-1/4" (56.5 cm)	5-1/2" (14.0 cm)	26-5/8" (67.6 cm)	14" (35.6 cm)

## TRUNK, HEAD AND BOOT COVER



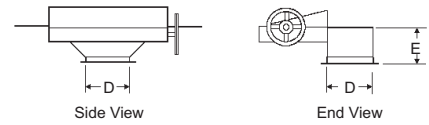
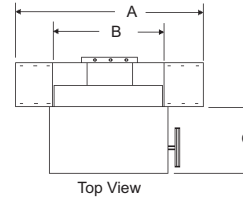
	A	B
9" (22.9 cm)	12-1/4" (31.1 cm)	7/8" (22 mm)
13" (33.0 cm)	17-1/4" (43.8 cm)	1" (25 mm)

## HEAD DISCHARGE SPOUT



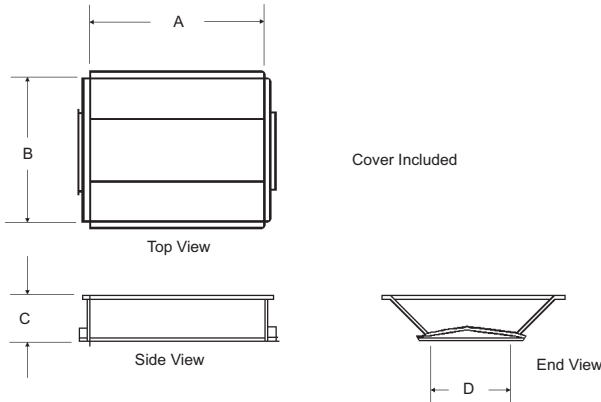
MODEL	A	B	C	D	E	F
9" (22.9 cm)	12-1/16" (30.6 cm)	31-1/8" (79.1 cm)	14-5/8" (37.1 cm)	12-3/16" (31.0 cm)	15-11/16" (39.8 cm)	9-11/16" (24.6 cm)
13" (33.0 cm)	16-1/8" (41.0 cm)	30-13/32" (77.2 cm)	9" (22.9 cm)	18" (45.7 cm)	21-3/4" (55.2 cm)	5-5/8" (14.3 cm)

## INTERMEDIATE DISCHARGE WITH RACK AND PINION



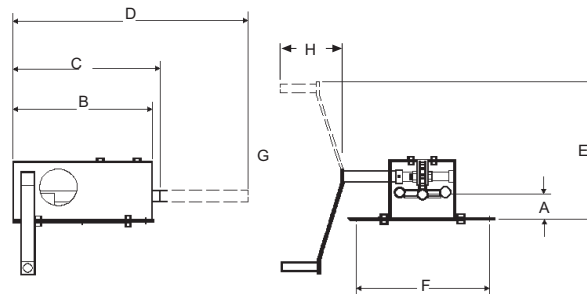
MODEL	A	B	C	D	E
9" (22.9 cm)	60" (1.52 m)	36" (91.4 cm)	20" (50.8 cm)	12" (30.5 cm)	10" (25.4 cm)
13" (33.0 cm)	67" (1.70 m)	42" (1.07 m)	24" (61.0 cm)	18" (45.7 cm)	10" (25.4 cm)

## INLET ADAPTER



MODEL	A	B	C	D
9" (22.9 cm)	24" (61.0 cm)	20" (50.8 cm)	5-3/8" (13.7 cm)	9" (22.9 cm)
13" (33.0 cm)	24" (61.0 cm)	24" (61.0 cm)	5-3/8" (13.7 cm)	13" (33.0 cm)

## RACK AND PINION CONTROL



MODEL	A	B	C	D	E	F	G	H
9" (22.9 cm)	2-7/16" (62 mm)	15-1/2" (39.4 cm)	17-1/2" (44.5 cm)	24-3/4" (62.9 cm)	16-1/2" (41.9 cm)	10-13/16" (27.5 cm)	10-1/8" (25.7 cm)	9-7/16" (24.0 cm)
13" (33.0 cm)	2-7/16" (62 mm)	15-1/2" (39.4 cm)	17-1/2" (44.5 cm)	24-3/4" (62.9 cm)	16-1/2" (41.9 cm)	14-3/4" (37.5 cm)	10-1/8" (25.7 cm)	7-5/8" (19.4 cm)