

ROLLAWAY HOPPER

- Available with Electric or Hydraulic Drive - 12" (30.5 cm) - Electric only. **Hydraulic Drive requires a volume of 14 GPM (53 LPM) at 1800 PSI (12,500 kpa) for proper hopper performance.**
- Complete with Undercarriage and 15" (38 cm) pneumatic wheels.
- Includes hopper wheel kit with 8" (20 cm) rubber wheels.
- Special lengths for the inclined auger are available.
6' (1.83m) is standard length.
- Use for either loading or unloading.
- Add flexibility to your grain handling.
- Easy to move, easy to use.

SPECIFICATIONS

	8" (20.3 cm)	10" (25.4 cm)	12" (30.5 cm)
Tube	14 ga. (1.9 mm)	14 ga. (1.9 mm)	12 ga. (2.66 mm)
Flight Shaft	1.9" (48 mm) O.D.	2.375" (60 mm) O.D.	2.875" (73 mm) O.D.
Flighting	7 ga. (4.5 mm)	7 ga. (4.5 mm)	7 ga. (4.5 mm)
Power Required	3 HP (2.2 kw)	5 HP (4 kw)	7-1/2 HP (5.5 kw)

The incline tube may be extended for Rollaway Hoppers and Swing Away Hoppers for bucket elevators. For lengths other than the standard 6' (1.83 m) length, change the last two numbers in the catalog to the desired incline tube length in feet, i.e. for a 7' (2.13 m) long incline tube - catalog number would be A82901F07. Use add-on "per foot" price accordingly, listed below. Discharge height increases 5" (13 cm) per foot (.3 m) of additional length of incline.

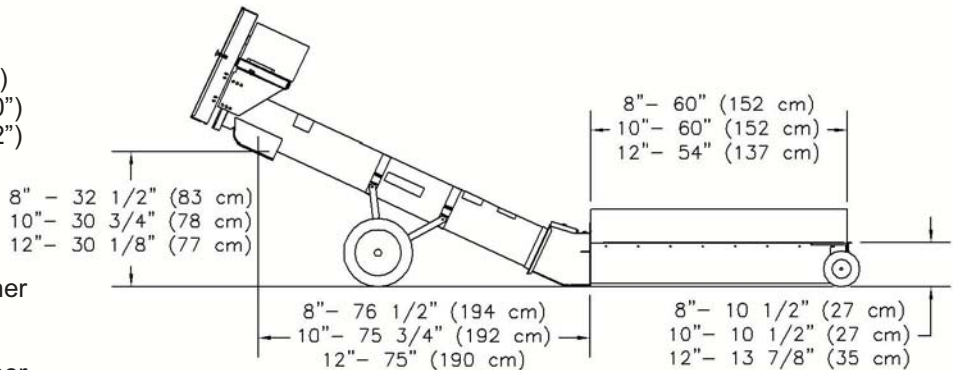
Add \$42.00/ft (.3 m) of extension (8")
Add \$62.00/ft (.3 m) of extension (10")
Add \$91.00/ft (.3 m) of extension (12")

Note: 12" (.3 m) Extension = 5" (13 cm) more Discharge Height at 25°.

For 1/4" (6.25 mm) flight - Add another \$5.50/ft. (.3 m) for 8" & 10" models.

For 1/4" (6.25 mm) flight - Add another \$8.00/ft. (.3 m) for 12" models.

Use 3.5" (89 mm) Motor Sheave for 60 Hz motor — 8" - 1B, 10" - 2B, 12" - 2B
Use 4.2" (107 mm) Motor Sheave for 50 Hz motor.



CATALOG NO.	DESCRIPTION	Weight	List Price
A82901F06	8" (20.3 cm) Rollaway Hopper with Electric Drive (Low Profile Hopper)	359 lbs. (163 kg)	\$1,950.00
A82911F06	8" (20.3 cm) Rollaway Hopper with Hydraulic Drive (Low Profile Hopper)	337 lbs. (153 kg)	2,325.00
A10901F06	10" (25.4 cm) Rollaway Hopper with Electric Drive (Low Profile Hopper)	493 lbs. (224 kg)	2,316.00
A10911F06	10" (25.4 cm) Rollaway Hopper with Hydraulic Drive (Low Profile Hopper)	451 lbs. (205 kg)	3,469.00
A12901F06	12" (30.5 cm) Rollaway Hopper with Electric Drive	668 lbs. (303 kg)	3,010.00

1/4" Flight (6.25 mm) - Add "7" to catalog No., i.e. A10901F067. Add \$60.00 to List Price for 8" & 10" (20.3 cm & 25.4 cm)
Add \$86.00 to List Price for 12" (30.5 cm).

ROLLAWAY HOPPER with TWIN AUGER LOW PROFILE

CATALOG NO.	DESCRIPTION	List Price
A12901L06	12" (30.5 cm) Rollaway with Low Profile Hopper (Elec. Drive)	\$3,706.00

The Low Profile Hopper is 10-1/2" (27 cm) tall.

1/4" (6.25 mm) Flight - Add "7" to catalog No., i.e. A12901L067. Add \$120.00 to List Price for 12" (30.5 cm).

SWING AWAY HOPPER for BUCKET ELEVATOR

Complete unit includes hopper with three wheels, auger assembly with spout, auger sheave, double "B" section drive, belt guard and motor mount.

Motor and motor sheave not included.

- Attach to a Bucket Elevator Boot.
- Flex angle incline adjustment.

Standard length of incline tube is 10' (3.05 m).

See page 1 for lengths other than standard.

2-Belt - Use 3.5" (89 mm) motor sheave for 8" Model. - 3 HP (2.2 kw)

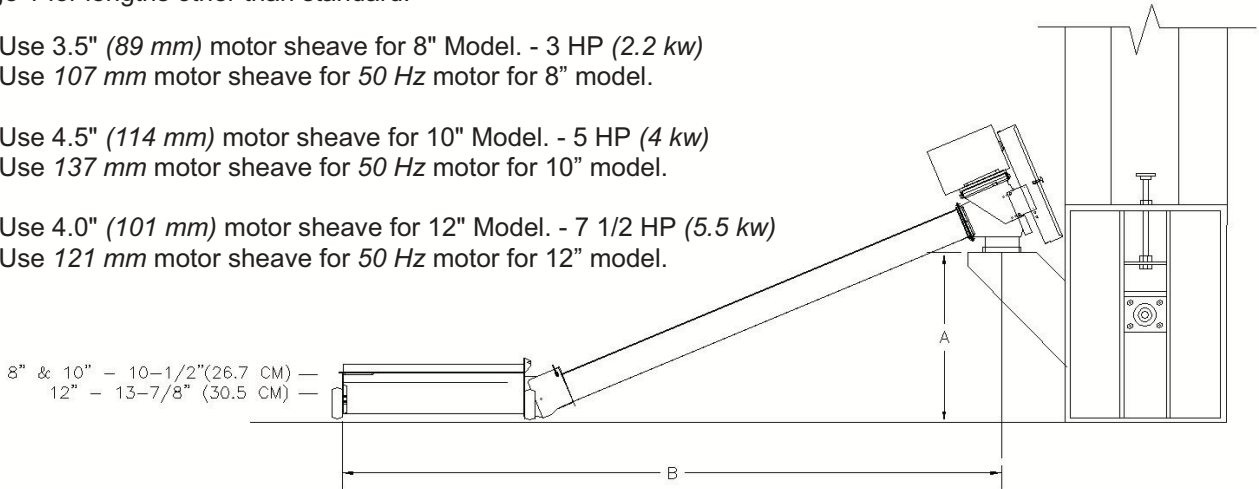
2-Belt - Use 107 mm motor sheave for 50 Hz motor for 8" model.

2-Belt - Use 4.5" (114 mm) motor sheave for 10" Model. - 5 HP (4 kw)

2-Belt - Use 137 mm motor sheave for 50 Hz motor for 10" model.

2-Belt - Use 4.0" (101 mm) motor sheave for 12" Model. - 7 1/2 HP (5.5 kw)

2-Belt - Use 121 mm motor sheave for 50 Hz motor for 12" model.



CATALOG NO.	Max Capacity	Tube Diameter	Hopper Size Width x Length	Discharge Diameter	Max. Discharge Height - "A"	Overall Length w/Discharge @48" (1.2 m) - "B"	Power Required	Weight	List Price
A82961A10	3200 (85 TPH)	8" (20.3 cm)	33" x 60" (83.8 cm x 1.52 m)	9" (23 cm)	60-3/4" (1.54 m)	186" (4.72 m)	3 - 5 HP (2.2 - 4 kw)	355 lbs. (161 kg)	\$2,317.00
A10961A10	4500 (120 TPH)	10" (25.4 cm)	38" x 60" (96.5 cm x 1.52 m)	11" (28 cm)	64-1/4" (1.63 m)	194" (4.93 m)	5 - 7/12 HP (4 - 5.5 kw)	490 lbs. (222 kg)	2,771.00
A12961A10	7000 (190 TPH)	12" (30.5 cm)	33" x 54" (83.8 cm x 1.37 m)	13" (33 cm)	62-3/4" (1.59 m)	192" (4.88 m)	7 1/2 - 10 HP (5.5 - 7.5 kw)	690 lbs. (313 kg)	3,621.00

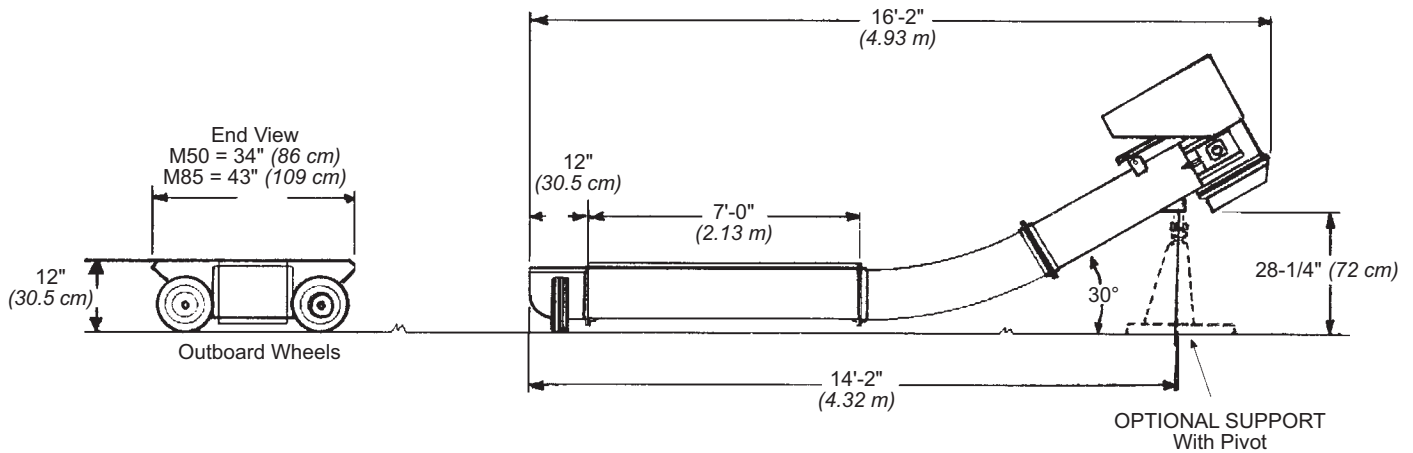
1/4" (6.25 mm) Flight - Add "7" to Catalog No., i.e. A10960A107. Add \$90.00 to List Price for 8" & 10" (20.3 cm & 25.4 cm). Add \$135.00 to List Price for 12" (30.5 cm).

SWING AWAY HOPPER for BUCKET ELEVATOR with LOW PROFILE HOPPER

CATALOG NO.	DESCRIPTION	Overall Length w/ Discharge @ 48" - "B"	List Price
A12961L10	12" (30.5 cm) Swing Away Hopper with Low Profile Hopper	194 (4.93 m)	4,459.00

1/4" (6.25 mm) Flight - Add "7" to Catalog No., i.e. A1296AL107. Add \$152.00 to List Price for 12" (30.5 cm).

SWING-AWAY HOPPER



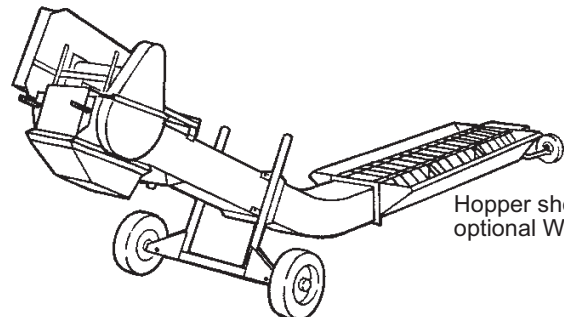
This receiving hopper includes a 7' (2.13 m) dump area. Hopper rides on out-board wheels (included). The hopper can pivot off a support post (optional). Different drives are available to adapt the hopper to your system. They are *Hydraulic Drive, Jack Shaft Drive and Gear Reducer Drive. (Electric motors are not included.)

Extension trunking with CA550 chain and UHMW paddles is available to customize your Swing-Away Hopper. Please consult the factory for additional power requirements and for price.

CATALOG NO.	DESCRIPTION	Weight	List Price
MX5021	Model 50 - 5000 BPH Hopper with Jack Shaft Drive - less 5 HP (4 kw) Motor	765 lbs. (347 kg)	\$6,197.00
MX5022	Hopper with Reducer Drive - less 5 HP (4 kw) Motor	766 lbs. (347 kg)	7,314.00
MX5023	* Hopper with Hydraulic Drive (with motor and flow control)	693 lbs. (314 kg)	6,346.00
MX5009	10' (3.05 m) Incline Trunk Extension	295 lbs. (134 kg)	1,309.00
MX5008	5' (1.52 m) Incline Trunk Extension	150 lbs. (68 kg)	955.00
MX5007	2'-6" (.76 m) Incline Trunk Extension	85 lbs. (39 kg)	612.00
MX8521	Model 85 - 8500 BPH Hopper with Jack Shaft Drive - less 7-1/2 HP (5.5 kw) Motor	1014 lbs. (460 kg)	7,588.00
MX8522	Hopper with Reducer Drive - less 7-1/2 HP (5.5 kw) Motor	993 lbs. (450 kg)	8,570.00
MX8523	Hopper with Hydraulic Motor Drive (with Motor)	980 lbs. (445 kg)	8,049.00
MX8508	5' (1.52 m) Incline Trunk Extension = 30" (76 cm) additional discharge height	180 lbs. (82 kg)	1,230.00
MX5014	Accessories for either Model 50 or 85 Support with Pivot	31 lbs. (14 kg)	269.00
MX5006	Wheel Kit	64 lbs. (29 kg)	548.00

HYDRAULIC SPECIFICATIONS

*A volume of 14 GPM (53 LPM) at 1800 PSI (12,500 kpa) should be available for proper Swing-Away Hopper performance. Please check your tractor operator's manual or with your local authorized tractor dealer to confirm pressure and flow rates.



Hopper shown with optional Wheel Kit.

DRIVE-OVER CHAIN CONVEYOR PORTABLE MODELS

Catalog No.	Drive Type	Weight	List Price
MD851002E	Electric	3560 lbs. (1615 kg)	\$11,500.00
MD851002H	Hydraulic	3400 lbs. (1542 kg)	\$12,590.00

NOTE: For units less ramps, add "-LR", i.e. MD851002E-LR; Deduct \$1,415.00 from List Price.
For **side unload kit**, order MX85101 (78 lbs.) {35 kg}; List Price \$391.00.

Catalog No.	Description	Weight	List Price
MX85109	Hydraulic Drive Kit	55 lbs. (25 kg)	\$1,944.00
MX85110	Electric Drive Kit	214 lbs. (97 kg)	\$1,050.00

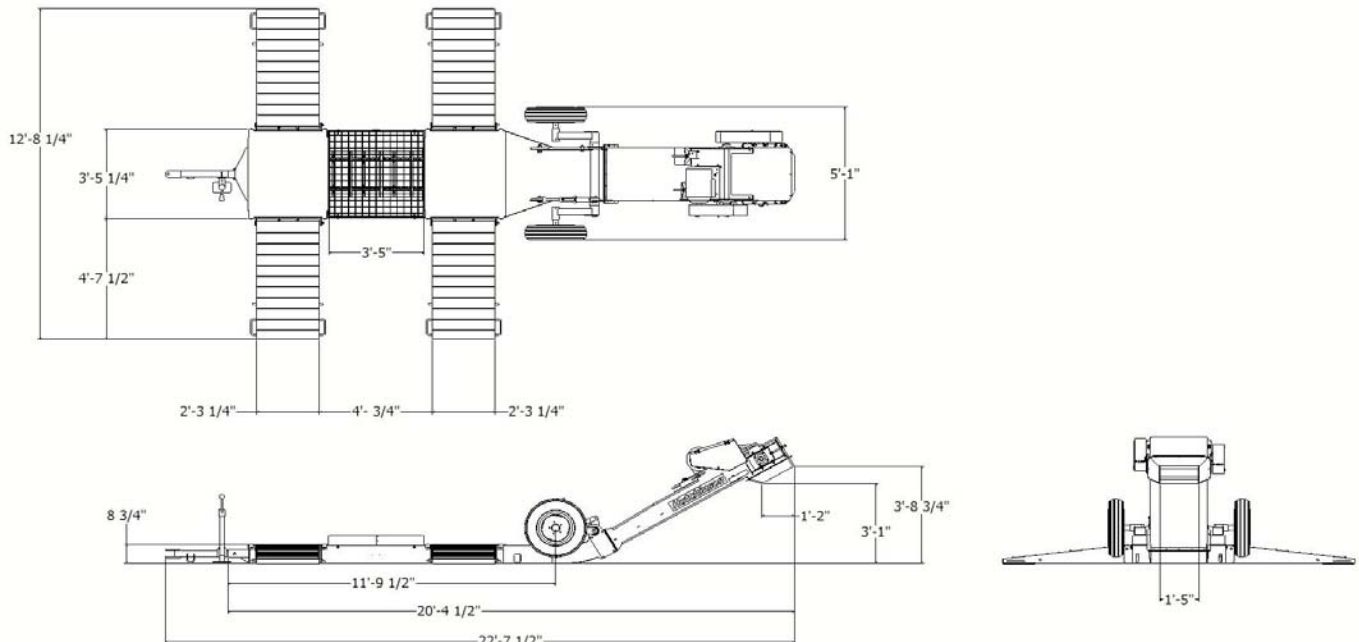
TIRES -	Add Tire	Example	Add to List
8	Standard Implement	MD851002E8	\$170.00
88	Automotive Tire	MD851002E88	\$273.00

NOTE: On electric drives, the motor is not furnished. Motor sheave, bushing and drive key are furnished.
A 10 HP (7.5 kw) 1750 RPM motor is required.

On hydraulic drives, the hoses to the control valve from the tractor are not furnished. A flow control valve, hoses from control valve to motor, and fittings are furnished.

SPECIFICATIONS:

CAPACITY: Up to 8,000 BPH (216 TPH)
 HEAD SHAFT SPEED: 310 RPM
 CHAIN SPEED: 385 FPM
 PADDLES: 3/8" thick UHMW w/metal reinforcement plate
 DRIVE: Electric
 Hydraulic (w/flow control valve)
 HORSEPOWER REQ'D: 10 HP (7.5 kw) elec. motor
 Hydraulic drive capacity minimum
 22 gal./min. (83 l/min) @ 2000 PSI (13,790 kPa)
 HOPPER: Flexible Rubber Belting Hopper
 WHEELS: 15" 5-Bolt



Electric Drive Model (motor not included)

DRIVE-OVER CHAIN CONVEYOR STATIONARY MODELS

Catalog No.	Drive Type	Weight	List Price
MD851502E	Electric	2460 lbs. (1116 kg)	\$7,925.00
MD851502H	Hydraulic	2300 lbs. (1043 kg)	\$9,015.00

For side unload kit, order MX85101 (78 lbs.) {35 kg}; List Price \$391.00.

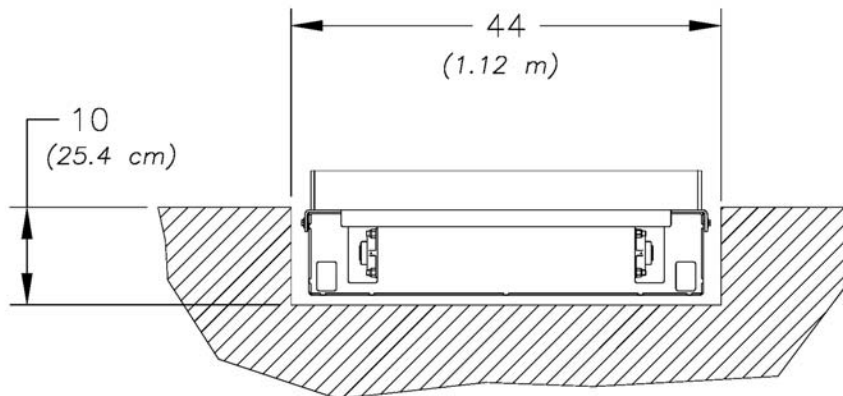
Catalog No.	Description	Weight	List Price
MX85106	Incline Truck Extension- 18"	89 lbs. (40 kg)	\$ 525.00
MX85107	Incline Truck Extension- 2'-6"	139 lbs. (63 kg)	\$ 712.00
MX85108	Incline Truck Extension- 5'-0"	261 lbs. (118 kg)	\$1,205.00

NOTE: On electric drives, the motor is not furnished. Motor sheave, bushing and drive key are furnished. A 10 HP (7.5 kw) 1750 RPM motor is required.

On hydraulic drives, the hoses to the control valve from the tractor are not furnished. A flow control valve, hoses from control valve to motor, and fittings are furnished.

SPECIFICATIONS:

CAPACITY: Up to 8,000 BPH (216 TPH)
 HEAD SHAFT SPEED: 310 RPM
 CHAIN SPEED: 385 FPM
 PADDLES: 3/8" thick UHMW w/metal reinforcement plate
 DRIVE: Electric
 Hydraulic (w/flow control valve)
 HORSEPOWER REQ'D: 10 HP (7.5 kw) elec. motor
 Hydraulic drive capacity minimum
 22 gal./min. (83 l/min) @ 2000 PSI (13,790 kPa)
 Flexible Rubber Belting Hopper



**POSSIBLE PIT CROSS SECTION
(Stationary Models Only)**

