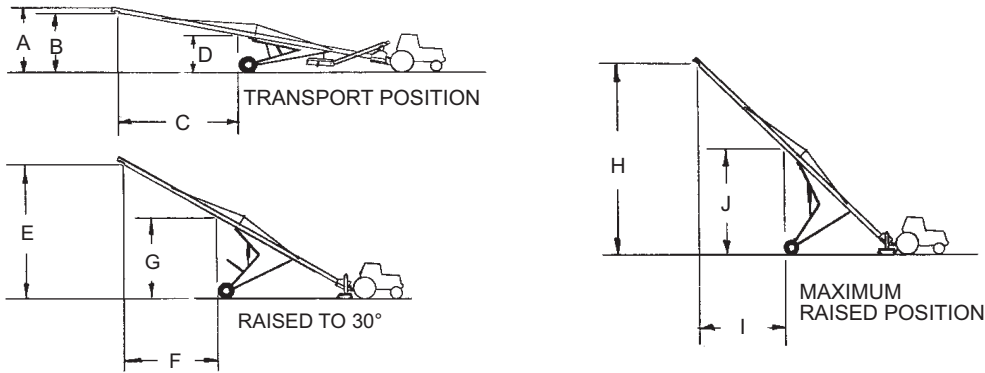


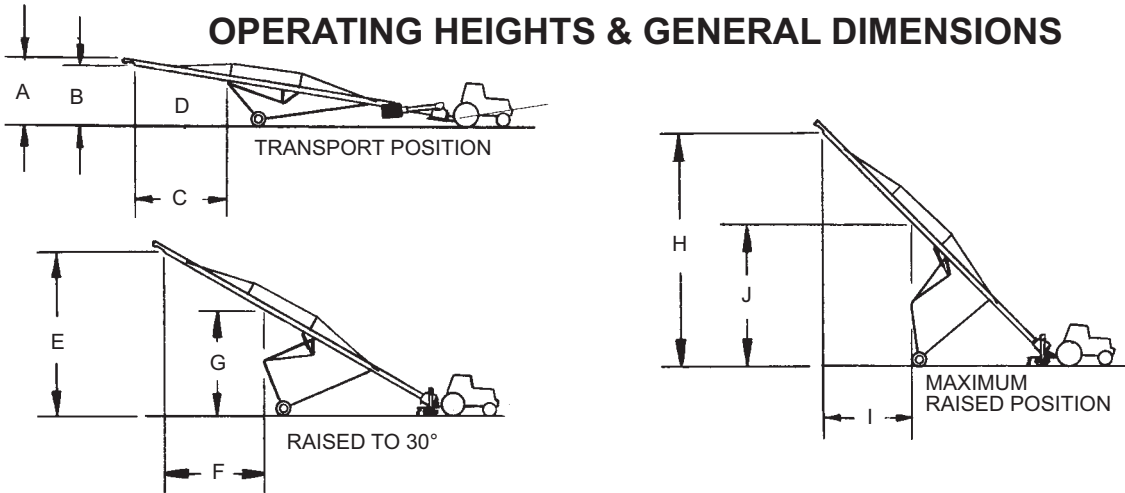
### 8" & 10" SWING-AWAY GEAR DRIVE AUGER OPERATING HEIGHTS & GENERAL DIMENSIONS



AUGER SIZE	OVERALL HEIGHT DURING TRANSPORT *	DISCHARGE HEIGHT TRANSPORT POSITION *	CLOSEST POINT TO BIN TRANSPORT POSITION	FREE CLEARANCE AT TRANSPORT POSITION	DISCHARGE HEIGHT AT 30°	CLOSEST POINT TO BIN AT 30°	FREE CLEARANCE AT 30°	DISCHARGE HEIGHT MAXIMUM POSITION	CLOSEST POINT TO BIN MAXIMUM POSITION	FREE CLEARANCE AT MAXIMUM POSITION	OVERALL TREAD WIDTH
	A	B	C	D	E	F	G		I	J	
8" x 52'	11'-11" (3.63 m)	11'-0" (3.35 m)	26'-10" (8.18 m)	6'-1" (1.85 m)	27'-10" (8.48 m)	23'-0" (7.01 m)	14'-6" (4.42 m)	39'-0" (11.89 m)	18'-1" (5.51 m)	20'-6" (6.25 m)	8'-8" (2.64 m)
8" x 62'	12'-8" (3.86 m)	11'-9" (3.58 m)	31'-7" (9.63 m)	6'-7" (2.01 m)	33'-0" (10.06 m)	27'-6" (8.38 m)	16'-11" (5.16 m)	45'-0" (13.72 m)	22'-4" (6.81 m)	23'-5" (7.14 m)	10'-4" (3.15 m)
8" x 72'	13'-10" (4.22 m)	12'-11" (3.94 m)	36'-6" (11.13 m)	7'-4" (2.24 m)	37'-8" (11.48 m)	31'-7" (9.63 m)	19'-5" (5.92 m)	52'-8" (16.05 m)	25'-0" (7.62 m)	27'-8" (8.43 m)	11'-2" (2.64 m)
10" x 36'	9'-9" (2.97 m)	8'-7" (2.62 m)	14'-1" (4.29 m)	7'-0" (2.13 m)	---	---	---	21'-0" (6.40 m)	13'-6" (4.11 m)	12'-1" (3.68 m)	8'-2" (2.49 m)
10" x 52'	12'-1" (3.68 m)	10'-11" (3.33 m)	26'-6" (8.08 m)	6'-1" (1.85 m)	27'-8" (8.43 m)	22'-8" (6.91 m)	14'-6" (4.42 m)	38'-9" (11.81 m)	17'-10" (5.44 m)	20'-6" (6.25 m)	8'-8" (2.64 m)
10" x 62'	12'-10" (3.91 m)	11'-8" (3.56 m)	31'-3" (9.53 m)	6'-7" (2.01 m)	32'-10" (10.01 m)	27'-2" (8.28 m)	16'-11" (5.16 m)	44'-10" (13.67 m)	22'-1" (6.73 m)	23'-5" (7.14 m)	10'-4" (3.15 m)
10" x 72'	14'-0" (4.27 m)	12'-10" (3.91 m)	36'-2" (11.02 m)	7'-4" (2.24 m)	37'-6" (11.43 m)	31'-3" (9.53 m)	19'-5" (5.92 m)	52'-6" (16.00 m)	24'-9" (7.54 m)	27'-8" (8.43 m)	11'-2" (3.40 m)
10" x 82'	15'-6" (4.72 m)	14'-4" (4.37 m)	39'-8" (12.09 m)	7'-9" (2.36 m)	42'-10" (13.06 m)	34'-7" (10.54 m)	21'-10" (6.65 m)	53'-7" (16.33 m)	30'-10" (9.40 m)	26'-9" (8.15 m)	12' (3.66 m)

\* Transport height with auger attached to the drawbar of towing vehicle.

### 12" SWING-AWAY GEAR DRIVE AUGER OPERATING HEIGHTS & GENERAL DIMENSIONS

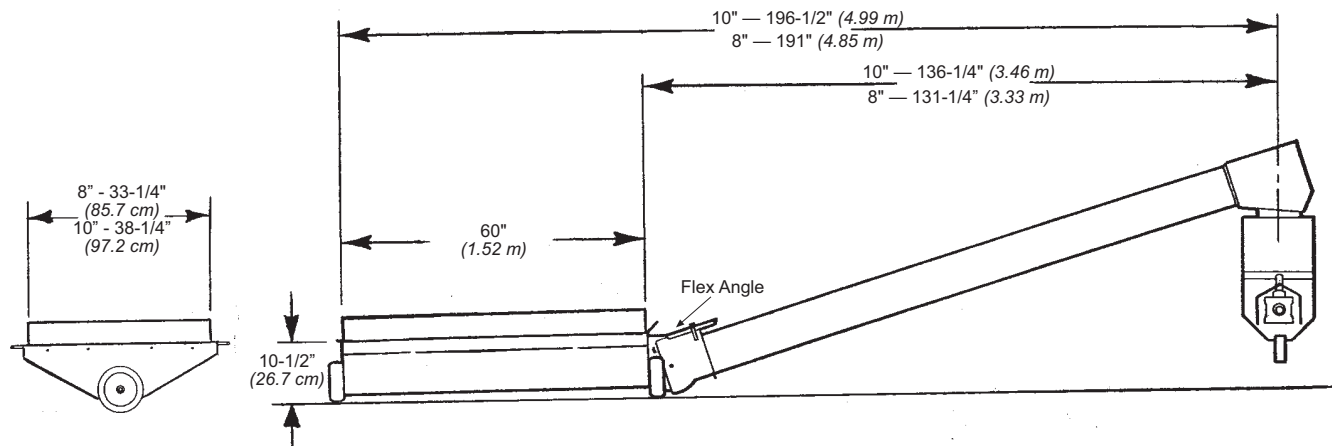


AUGER SIZE	OVERALL HEIGHT DURING TRANSPORT *	DISCHARGE HEIGHT TRANSPORT POSITION *	CLOSEST POINT TO BIN TRANSPORT POSITION	FREE CLEARANCE AT TRANSPORT POSITION	DISCHARGE HEIGHT AT 30°	CLOSEST POINT TO BIN AT 30°	FREE CLEARANCE AT 30°	DISCHARGE HEIGHT MAXIMUM POSITION	CLOSEST POINT TO BIN MAXIMUM POSITION	FREE CLEARANCE AT MAXIMUM POSITION	OVERALL TREAD WIDTH
	A	B	C	D	E	F	G	H	I	J	
12" x 62'	12'-6" (3.81 m)	11'-0" (3.61 m)	26'-5" (8.05 m)	7'-0" (2.13 m)	31'-4" (9.55 m)	22'-2" (6.76 m)	19'-4" (5.89 m)	44'-0" (13.41 m)	20'-0" (6.10 m)	25'-4" (7.72 m)	10'-6" (3.20 m)
12" x 72'	14'-4" (4.37 m)	12'-6" (3.81 m)	31'-0" (9.45 m)	7'-7" (2.31 m)	36'-4" (11.07 m)	25'-3" (7.70 m)	22'-0" (6.71 m)	51'-0" (15.54 m)	23'-4" (7.11 m)	28'-6" (8.69 m)	10'-6" (3.20 m)
12" x 82'	15'-0" (4.83 m)	13'-6" (4.11 m)	33'-9" (10.29 m)	8'-5" (2.57 m)	41'-6" (12.65 m)	30'-9" (9.37 m)	25'-5" (7.75 m)	57'-0" (17.37 m)	26'-4" (8.03 m)	31'-4" (9.55 m)	11'-11" (3.63 m)

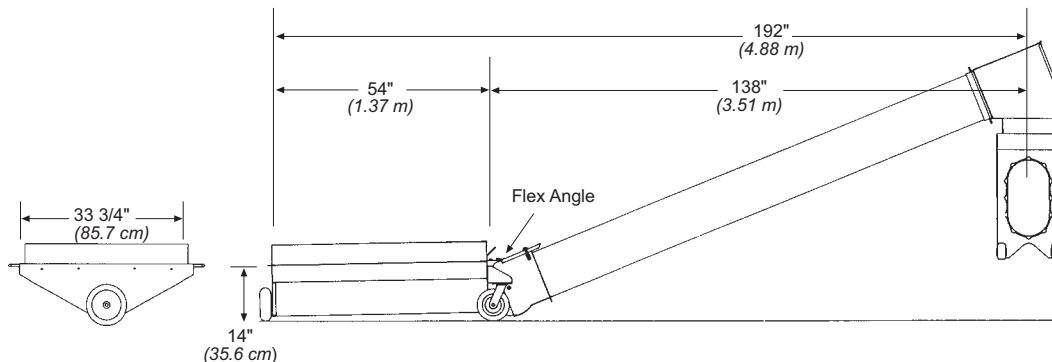
\* Transport height with auger attached to the drawbar of towing vehicle.

### SWING-AWAY HOPPER DIMENSIONS

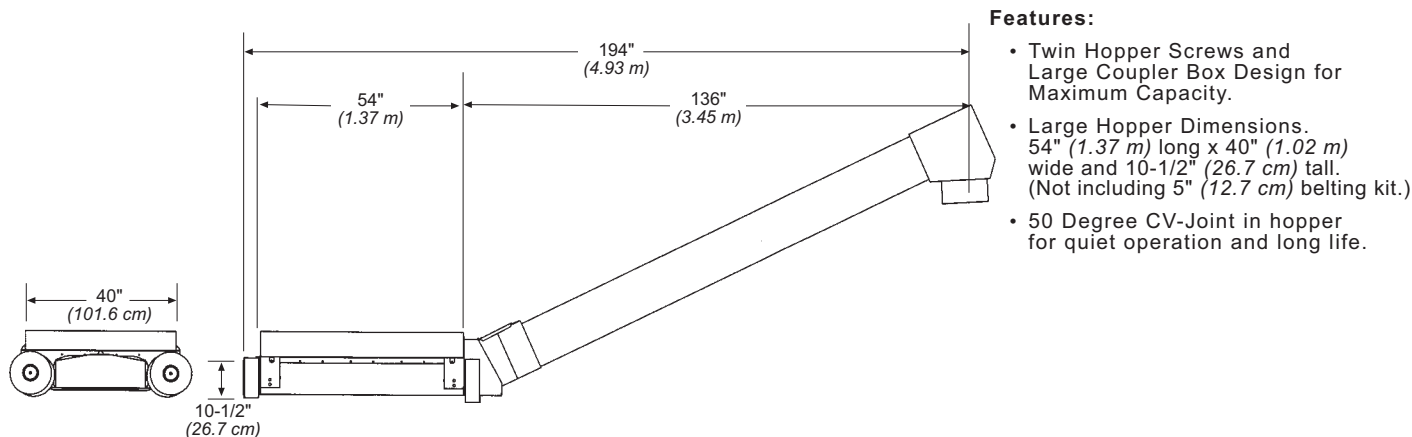
#### 8" & 10" STANDARD "LOW-PROFILE" SWING-OUT HOPPER



#### 12" STANDARD SWING-OUT HOPPER



#### 12" OPTIONAL LOW PROFILE HOPPER



**Features:**

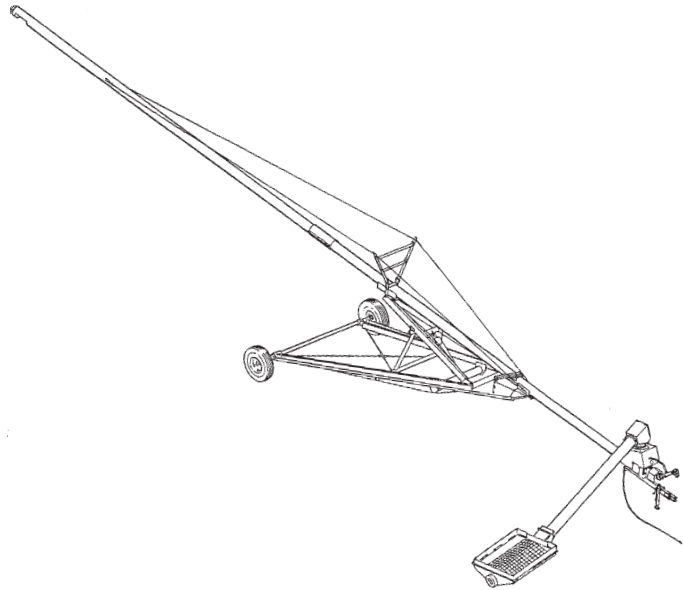
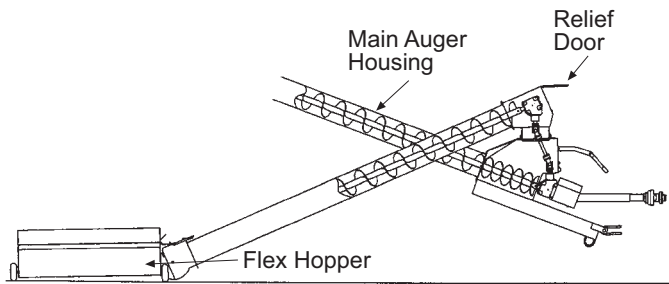
- Twin Hopper Screws and Large Coupler Box Design for Maximum Capacity.
- Large Hopper Dimensions. 54" (1.37 m) long x 40" (1.02 m) wide and 10-1/2" (26.7 cm) tall. (Not including 5" (12.7 cm) belting kit.)
- 50 Degree CV-Joint in hopper for quiet operation and long life.

### 8" & 10" SWING-AWAY GEAR DRIVE AUGER

## SPECIFICATIONS

#### FEATURES:

- Tractor PTO powers the main auger and Swing-Away hopper.
- Transporting is safe and simple because the hopper folds up and out of the way until the auger is in place.
- Hydraulic lift cylinder provides fast and easy raising and lowering.
- Heavy-duty undercarriage design allows maximum reach and clearance over structures.
- Heavy-duty hitch jack is provided for hookup assistance.
- Gear drives are oil bath.
- Optional corn screens to remove fines. (Only 10" model)
- Maximum-protection safety equipment is part of every unit.
- 50° CV PTO Driveline for smooth operation.



Basic Auger shown with GEAR DRIVE FLEX HOPPER that allows the hopper to remain almost horizontal at all operating angles.

	8" x 52'	8" x 62'	8" x 72'	10" x 36'	10" x 52'	10" x 62'	10" x 72'	10" x 82'
Tractor Hydraulics for Auger Lift	800 PSI (5500 kPa)	900 PSI (6200 kPa)	1500 PSI (10500 kPa)	Winch Lift	1000 PSI (6900 kPa)	1200 PSI (8300 kPa)	1800 PSI (12500 kPa)	1600 PSI (11000 kPa)
Approx. P.T.O. Power	40 HP (30 kw)	50 HP (40 kw)	60 HP (45 kw)	50 HP (40 kw)	60 HP (45 kw)	60 HP (45 kw)	70 HP (55 kw)	80 HP (60 kw)

#### 8" SWING-AWAY GEAR DRIVE AUGER

- CAPACITY:** 3200 BPH (86 TPH)  
**UNDERCARRIAGE:** Combination round & rectangular high strength tubing w/hydraulic cylinder lifting mechanism  
**AUGER SHAFT:** 1.9 (48 mm) O.D. tubing  
**FLIGHT GAUGE:** 3/16" (5 mm) Standard  
 1/4" (6 mm) Optional  
**AUGER LENGTHS:** 52', 62', & 72'  
**AUGER TUBE:** 14 ga. (1.9 mm) Painted or 14 ga. (1.9 mm) Galvanized  
**DRIVE:** PTO w/50° CV and Shear Mechanism

#### INCLUDES:

- 14 GA. (1.9 mm) HOUSING  
 HEAVY-DUTY JACK  
 HYDRAULIC LIFT CYLINDER UNDERCARRIAGE  
 GEAR DRIVES ARE OIL BATH  
 TAPERED ROLLER WHEEL BEARINGS  
 50° CV PTO DRIVELINE  
 15" (38.1 cm) RIMS (LESS TIRES)  
 DOUBLE FLIGHT AT MAIN AUGER INLET  
 1/4" (6 mm) FLIGHT IN SWING-AWAY HOPPER & INCLINE TUBE

#### 10" SWING-AWAY GEAR DRIVE AUGER

- CAPACITY:** 4500 BPH (122 TPH)  
**UNDERCARRIAGE:** Combination round & rectangular high strength tubing w/hydraulic cylinder lifting mechanism  
**AUGER SHAFT:** 2.375 (60 mm) O.D. tubing  
**FLIGHT GAUGE:** 3/16" (5 mm) Standard  
 1/4" (6 mm) Optional  
**AUGER LENGTHS:** 36', 52', 62', 72' & 82'  
**AUGER TUBE:** 14 ga. (1.9 mm) Painted or 14 ga. (1.9 mm) Galvanized  
**DRIVE :** PTO w/50° CV and Shear Mechanism

#### INCLUDES:

- 14 GA. (1.9 mm) HOUSING ON 52', 62' & 72'  
 12 GA. (2.66 mm) HOUSING ON 82'  
 HEAVY-DUTY JACK  
 HYDRAULIC LIFT CYLINDER CARRIAGE  
 WINCH LIFT CARRIAGE FOR 36' MODEL  
 GEAR DRIVES ARE OIL BATH  
 TAPERED ROLLER WHEEL BEARINGS  
 50° CV PTO DRIVELINE  
 15" (38.1 cm) RIMS (LESS TIRES)  
 DOUBLE FLIGHT AT MAIN AUGER INLET  
 1/4" (6 mm) FLIGHT IN SWING-AWAY HOPPER & INCLINE TUBE

### 8" & 10" SWING-AWAY GEAR DRIVE AUGER

#### GALVANIZED TUBE

To order  
Hutchinson  
augers, add "H",  
i.e. H1062815L;  
Mayrath use  
existing  
Catalog No.

AUGER SIZE	Catalog No.	Weight	List Price
8" x 52'	852815L	2105 lbs. (955 kg)	\$ 8,252.00
8" x 62'	862815L	2525 lbs. (1145 kg)	8,829.00
8" x 72'	872815L	2775 lbs. (1259 kg)	9,832.00
10" x 36'	1036815L	2130 lbs. (966 kg)	8,303.00
10" x 52'	1052815L	2630 lbs. (1193 kg)	10,078.00
10" x 62'	1062815L	3020 lbs. (1370 kg)	10,976.00
10" x 72'	1072815L	3400 lbs. (1542 kg)	11,888.00
10" x 82'	1082815L	4540 lbs. (2059 kg)	16,030.00

#### PAINTED TUBE

AUGER SIZE	Catalog No.	Weight	List Price
8" x 52'	852805L	2105 lbs. (955 kg)	\$ 8,087.00
8" x 62'	862805L	2525 lbs. (1145 kg)	8,653.00
8" x 72'	872805L	2775 lbs. (1259 kg)	9,832.00
10" x 52'	1052805L	2630 lbs. (1193 kg)	9,878.00
10" x 62'	1062805L	3020 lbs. (1370 kg)	10,756.00
10" x 72'	1072805L	3400 lbs. (1542 kg)	11,651.00
10" x 82'	1082805L	4540 lbs. (2059 kg)	15,710.00

#### 8" SWING-AWAY AUGER Optional Equipment

TIRES -	Add	Model	Tire	Example	Add to List
	8	52' & 62'	Standard Implement	862815L8	\$170.00
	8	72'	Heavy Duty Implement	872815L8	\$550.00
	88	52', 62' & 72'	Automotive Tire	862815L88	\$273.00

#### 8" SWING-AWAY AUGER Optional Equipment (Galvanized Only)

INTERMEDIATE FLIGHT BEARINGS - Add "5" to Catalog No., i.e. 862815L5. Add \$12.00/ft to List Price.

1/4" (6 mm) FLIGHT - Add "7" to Catalog No., i.e. 862815L7. Add \$5.50/ft of auger length to List Price.

\*Corn Screens are no longer available installed on 8" Swing-Aways.

\*To order 8" (20.3 cm) Screens Kits for field installation, use part 1001099. List Price from Parts Price Book.

However, Hutchinson/Mayrath strongly discourages customers from installing screen sections on 8" Swing-Aways, due to the increased chance for tube distortion during installation.

#### 10" SWING-AWAY AUGER Optional Equipment

CORN SCREEN - Add "C" to Catalog No., i.e. 1062815LC. Add \$410.00 to List Price.

HEAVY PTO - For 52', 62 or 72', Add "H" to Catalog No., i.e. 1062815LH. Add \$470.00 to List Price.

(Heavy PTO is standard on 82'.)

TIRES -	Add	Model	Tire	Example	Add to List
	8	36', 52' & 62'	Standard Implement	1062815L8	\$170.00
	8	72' & 82'	Heavy Duty Implement	1072815L8	\$550.00
	88	36', 52' & 62'	Automotive Tire	1062815L88	\$273.00

#### 10" SWING-AWAY AUGER Optional Equipment (Galvanized Only)

INTERMEDIATE FLIGHT BEARINGS - Add "5" to Catalog No., i.e. 1062815L5. Add \$15.50/ft to List Price.

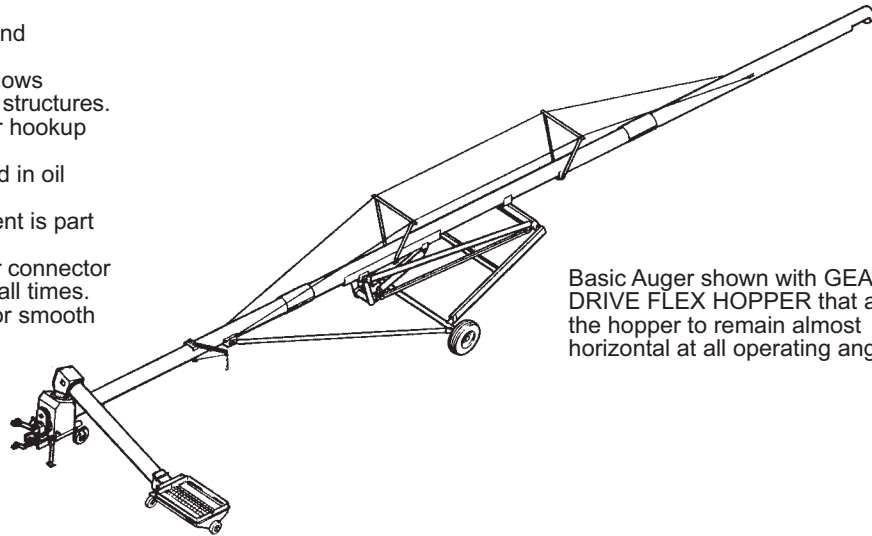
1/4" (6 mm) FLIGHT - Add "7" to Catalog No., i.e. 1062815L7. Add \$5.50/ft of auger length to List Price.

12 Ga. (2.66 mm) AUGER TUBE - For 36', 52', 62' & 72', Add "9" to Catalog No., i.e. 1062815L9. Add \$9.50/ft of auger length plus 10' (3.05 m) for Swing-Away to List Price. 12 Ga. (2.66 mm) is standard on 82' auger, except for Swing-Away. Add \$9.50/ft. for 10' (3.05 m) only and add "9" to Catalog No.

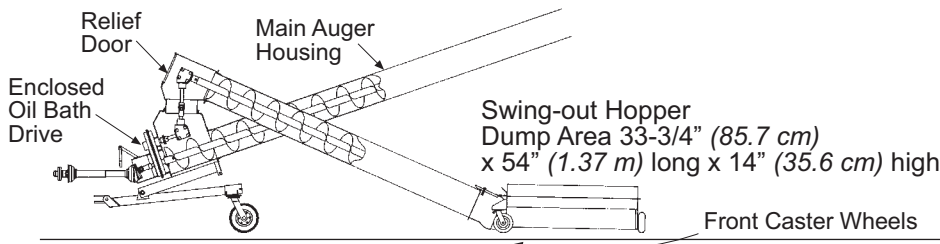
### 12" SWING-AWAY GEAR DRIVE AUGER

**FEATURES:**

- Tractor PTO powers the main auger and Swing-Out hopper.
- Transporting is safe and simple because the hopper folds up and out of the way until the auger is in place.
- Hydraulic lift cylinder provides fast and easy raising and lowering.
- Heavy-duty undercarriage design allows maximum reach and clearance over structures.
- Heavy-duty hitch jack is provided for hookup assistance.
- All drive components totally enclosed in oil bath housings.
- Maximum-protection safety equipment is part of every unit.
- Hopper incorporates a flexible auger connector to keep hopper almost horizontal at all times.
- Heavy-duty 50°CV PTO Driveline for smooth operation



Basic Auger shown with GEAR DRIVE FLEX HOPPER that allows the hopper to remain almost horizontal at all operating angles.



	12" x 62'	12" x 72'	12" x 82'
Tractor Hydraulics for Auger Lift	1500 PSI (10500 kPa)	1500 PSI (10500 kPa)	1800 PSI (12500 kPa)
Approx. P.T.O. Power	80 HP (60 kw)	90 HP (70 kw)	100 HP (75 kw)

**SPECIFICATIONS**

- CAPACITY:** 7000 BPH (189 TPH)  
**UNDERCARRIAGE:** Combination round & rectangular high strength tubing w/hydraulic cylinder lifting mechanism  
**AUGER SHAFT:** High strength 2 7/8" (73 mm) O.D. tubing  
**FLIGHT GAUGE:** 7 Ga. (4.5 mm) Standard  
 1/4" (6 mm) Optional  
**AUGER LENGTHS:** 62', 72', & 82'  
**AUGER TUBE:** 12" (30.5 cm) O.D. 12 ga. (2.66 cm) steel tube  
**DRIVE:** PTO w/50° CV and Shear Mechanism

**INCLUDES:**

- 12 GA. (2.66 mm) HOUSING
- HEAVY-DUTY JACK
- HYDRAULIC LIFT CYLINDER UNDERCARRIAGE
- CHAIN AND GEAR DRIVE COMPONENTS
- TOTALLY ENCLOSED IN OIL BATH HOUSING
- TAPERED ROLLER WHEEL BEARINGS
- 50° CV PTO DRIVELINE
- 16" (406 mm) RIMS (LESS TIRES)
- DOUBLE FLIGHT AT MAIN AUGER INLET
- 1/4" (6 mm) FLIGHT IN SWING-AWAY HOPPER & INCLINE TUBE

### 12" SWING-AWAY GEAR DRIVE AUGER

To order  
Hutchinson  
augers, add "H",  
i.e. H128282F:  
Mayrath use  
existing  
Catalog No.

#### GALVANIZED TUBE

AUGER SIZE	Catalog No.	Weight	List Price
12" x 62'	126282F	4010 lbs. (1819 kg)	\$15,962.00
12" x 72'	127282F	4430 lbs. (2009 kg)	17,621.00
12" x 82'	128282F	4960 lbs. (2250 kg)	18,799.00

#### PAINTED TUBE

AUGER SIZE	Catalog No.	Weight	List Price
12" x 62'	126280F	4010 lbs. (1819 kg)	\$15,165.00
12" x 72'	127280F	4430 lbs. (2009 kg)	16,741.00
12" x 82'	128280F	4960 lbs. (2250 kg)	17,859.00

#### GALVANIZED TUBE and LOW PROFILE HOPPER

AUGER SIZE	Catalog No.	Weight	List Price
12" x 62'	126282L	4010 lbs. (1819 kg)	\$ 16,880.00
12" x 72'	127282L	4430 lbs. (2009 kg)	18,543.00
12" x 82'	128282L	4960 lbs. (2250 kg)	19,720.00

#### PAINTED TUBE and LOW PROFILE HOPPER

AUGER SIZE	Catalog No.	Weight	List Price
12" x 62'	126280L	4010 lbs. (1819 kg)	\$16,037.00
12" x 72'	127280L	4430 lbs. (2009 kg)	17,616.00
12" x 82'	128280L	4960 lbs. (2250 kg)	18,733.00

#### Optional Equipment

CORN SCREENS - Add "C" to Catalog No., i.e. 126282FC. Add \$520.00 to List Price.

TIRES - Add "8" to Catalog No., i.e. 126282F8. Add \$550.00 to List Price.

INTERMEDIATE FLIGHT BEARINGS - Add "5" to Catalog No., i.e. 126282F5. Add \$21.00/ft to List Price.

1/4" (6 mm) FLIGHT - Add "7" to Catalog No., i.e. 126282F7. Add \$8.00/ft of auger length to List Price.

### SWING-AWAY AUGER - OPTIONAL KITS

#### OPTIONAL FLOW CONTROL PANELS FOR STANDARD HOPPER

AUGER SIZE	Catalog No.	Description	Weight	List Price
8"	1028821	Control Panel Kit	29 lbs. (13 kg)	\$99.00
10"	1028841	Control Panel Kit	29 lbs. (13 kg)	\$99.00

#### OPTIONAL HEAVY DUTY PTO KIT

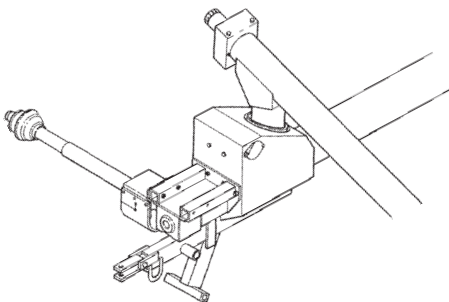
AUGER SIZE	Catalog No.	Description	Weight	List Price
10"	10043G	10" Heavy Duty PTO Kit 35R	80 lbs. (36 kg)	\$1,598.00

#### HYDRAULIC WINCH CONVERSION KIT FOR SWING-OUT HOPPER

AUGER SIZE	Catalog No.	Description	Weight	List Price
13"	130460G	Hydraulic Winch Kit	38 lbs. (17 kg)	\$840.00

#### PTO REDUCERS 1000 RPM TRACTOR TO 540 AUGER

Catalog No.	Description	Weight	List Price
A1331A	Reducer 1000-540 PTO 1-3/8" (35 mm) 21 Spline	110 lbs. (50 kg)	\$6,626.00
A1332A	Reducer 1000-540 PTO 1-3/4" (44 mm) 20 Spline	110 lbs. (50 kg)	6,974.00



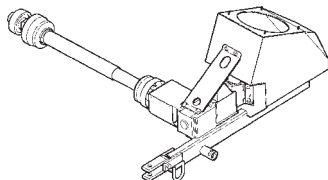
#### OPTIONAL SIDE DRIVE CONVERSION KIT FOR 8" & 10" SWING-AWAY AUGER

When space is a problem, the optional side drive kit allows the tractor to be operated at a right angle to the main auger.

Kit includes 60" (1.52 m) PTO Driveline, Gearbox, Support Stand, Mounting Brackets, Connecting Flex Couplers and Hardware.

#### OPTIONAL GEAR DRIVE SIDE DRIVE KIT

AUGER SIZE	PTO RPM Required	Catalog No.	Description	Weight	List Price
8"	540	80042G	8" Side Drive Kit	145 lbs. (66 kg)	\$ 1,844.00
10"	540	10042G	10" Side Drive Kit	145 lbs. (66 kg)	1,903.00
12"	1000	12042G	12" Side Drive Kit 1-3/8" (35 mm) 21 Spline	185 lbs. (84 kg)	3,182.00
12"	1000	12042G-175	12" Side Drive Kit 1-3/4" (44 mm) 20 Spline	185 lbs. (84 kg)	3,336.00
13"	1000	130420G	13" Side Drive Kit 1 3/8" (35 mm) 21 Spline	185 lbs. (84 kg)	3,338.00
13"	1000	130420G-175	13" Side Drive Kit 1-3/4" (44 mm) 20 Spline	185 lbs. (84 kg)	3,492.00

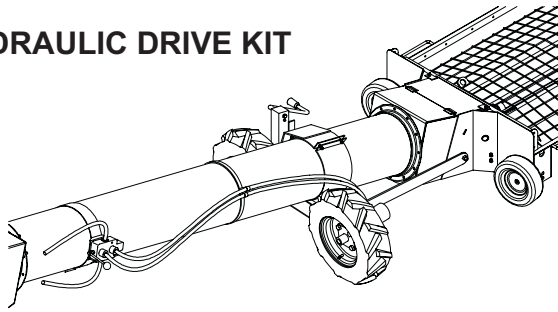


\*The following credit applies when the side drive kit is purchased with a new auger, and the standard CV-PTO is returned to the factory in "new" condition.

Credit - \$300.00

### OPTIONAL SWING-AWAY HOPPER WITH DUAL HYDRAULIC DRIVE WHEELS

#### HYDRAULIC DRIVE KIT

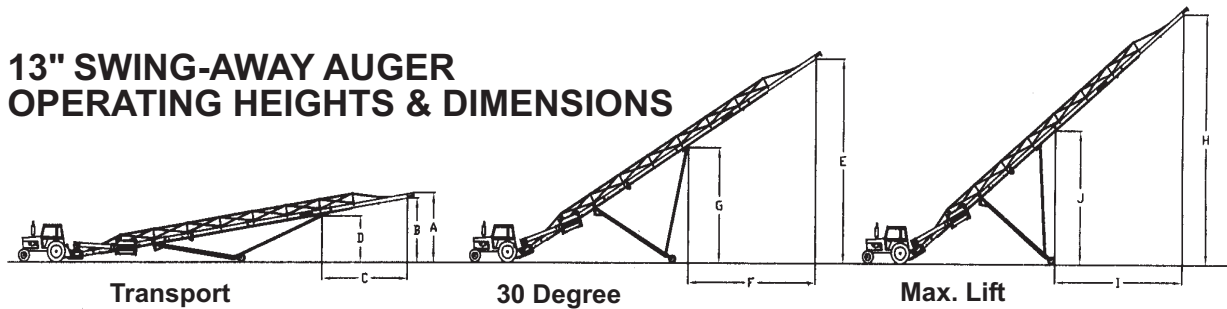


- Wheel kit adapts to either Standard or Low Profile Hopper.
- Hydraulically driven wheel kit quickly moves hopper in and out of unloading position.
- Lugged pneumatic tire design will drive over difficult terrain.
- Side-wind jack quickly engages or disengages drive wheels, when needed.
- Quickly installs with all necessary components included. Models are available for 8", 10", 12", and 13" Swing-Away augers.
- Includes hydraulic control valve and hydraulic hoses.

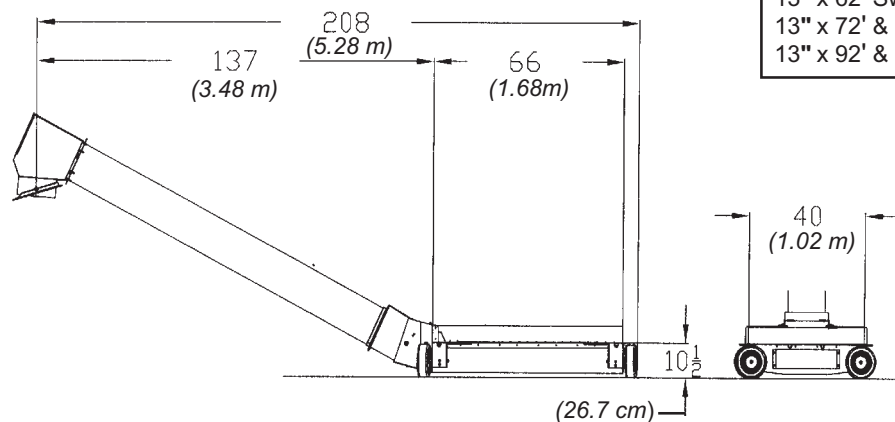
Auger Size	Catalog No.	Weight	List
13" Auger	130440G	195 lbs. (88 kg)	\$1,633.00
12" Auger	120450G**	190 lbs. (86 kg)	1,607.00
12" Auger	120440G*	190 lbs. (86 kg)	1,607.00
10" Auger	100440G	185 lbs. (84 kg)	1,582.00
8" Auger	800440G	180 lbs. (82 kg)	1,556.00

\*Use with the single auger hopper.

#### 13" SWING-AWAY AUGER OPERATING HEIGHTS & DIMENSIONS



	A	B	C	D	E	F	G	H	I	J	K	L
13" x 62' Swing-Away Auger	12'-1" (3.68 m)	10'-9" (3.28 m)	16'-11" (5.16 m)	7'-4" (2.24 m)	32'-5" (9.88 m)	22'-11" (6.99 m)	18'-4" (5.59 m)	41'-1" (12.52 m)	22'-9" (6.93 m)	21'-8" (6.60 m)	8'-10" (2.69 m)	16'-10" (5.13 m)
13" x 72' Swing-Away Auger	14'-1" (4.29 m)	12'-0" (3.66 m)	20'-3" (6.17 m)	8'-2" (2.49 m)	37'-4" (11.38 m)	28'-5" (8.66 m)	20'-3" (6.17 m)	47'-10" (14.58 m)	26'-7" (8.10 m)	25'-4" (7.72 m)	12'-8" (3.86 m)	18'-7" (5.66 m)
13" x 82' Swing-Away Auger	14'-9" (4.50 m)	13'-5" (4.09 m)	22'-11" (6.99 m)	9'-3" (2.82 m)	42'-4" (12.90 m)	31'-9" (9.68 m)	23'-4" (7.11 m)	54'-3" (16.54 m)	29'-11" (9.12 m)	28'-11" (8.81 m)	13'-4" (4.06 m)	22' (6.71 m)
13" x 92' Swing-Away Auger	16' (4.88 m)	14'-7" (4.45 m)	21'-7" (6.58 m)	10'-7" (3.23 m)	48'-2" (14.68 m)	33'-10" (10.31 m)	27'-5" (8.36 m)	58'-11" (17.96 m)	33'-1" (10.08 m)	32'-3" (9.83 m)	19' (5.79 m)	24'-10" (7.57 m)
13" x 102' Swing-Away Auger	18'-2" (5.54 m)	16'-8" (4.93 m)	25'-1" (7.65 m)	11'-11" (3.63 m)	52'-8" (16.05 m)	38'-3" (11.66 m)	29'-8" (9.04 m)	64'-8" (19.71 m)	38' (11.58 m)	33'-7" (10.24 m)	21'-5" (6.53 m)	26'-8" (8.13 m)



AUGER SIZE	TREAD WIDTH
13" x 62' Swing-Away Auger	11' (3.35 m)
13" x 72' & 82' Swing-Away Auger	13' (3.96 m)
13" x 92' & 102' Swing-Away Auger	15' (4.57 m)

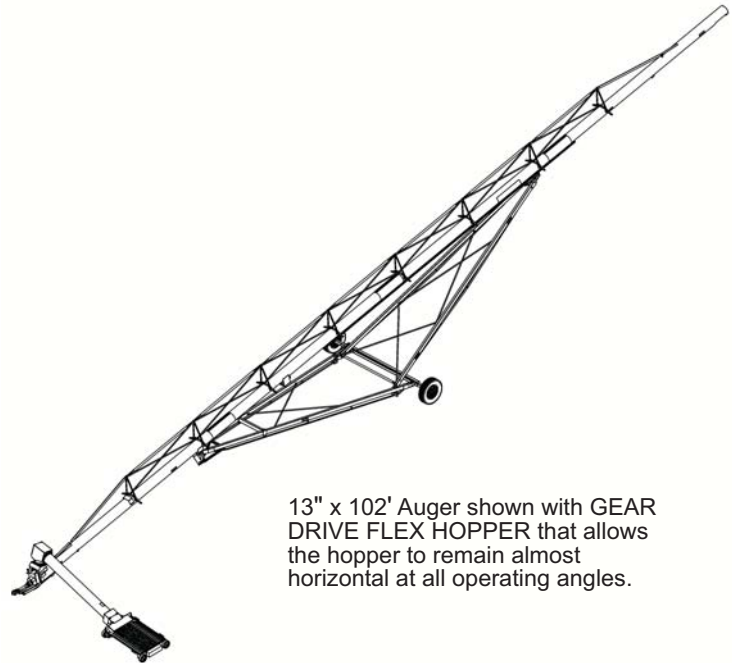
#### 13" SWING-AWAY HOPPER DIMENSIONS

- Features:
- Twin Hopper Screws and Large Coupler Box Design for Maximum Capacity.
  - Large Hopper Dimensions. 66" (1.68 m) long x 40" (1.02 m) wide and 10-1/2" (26.7 cm) tall. {Not including 5" (12.7 cm) belting kit.}
  - Double U-Joint in hopper for quiet operation and long life.

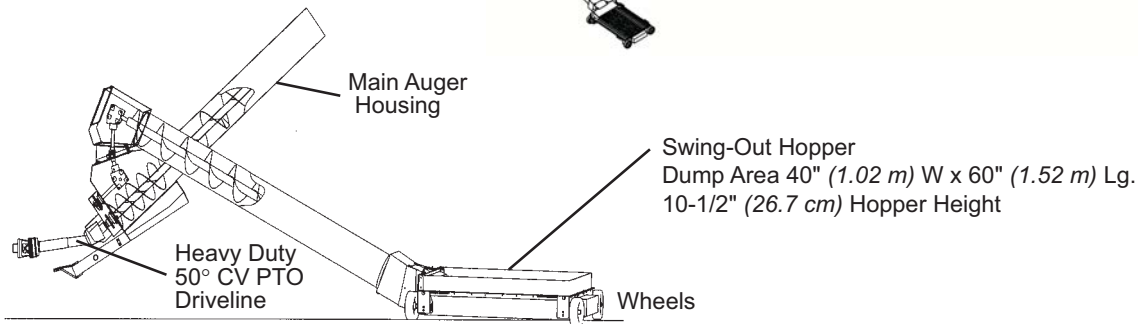
### 13" SWING-AWAY GEAR DRIVE AUGER

#### FEATURES:

- Tractor PTO powers the main auger and Swing-Out hopper.
- Transporting is safe and simple because the hopper folds up and out of the way until the auger is in place.
- Hydraulic lift winch provides fast and easy raising and lowering.
- Heavy-duty undercarriage design allows maximum reach and clearance over structures.
- Heavy-duty hitch jack is provided for hookup assistance.
- Maximum-protection safety equipment is part of every unit.
- Hopper incorporates a flexible auger connector to keep hopper almost horizontal at all times.
- Heavy-duty 50° CV PTO Driveline for smooth operation, C.E. Certified
- Long lasting galvanized or powder coat finish
- Adjustable width axle for 82', 92' & 102' models.



13" x 102' Auger shown with GEAR DRIVE FLEX HOPPER that allows the hopper to remain almost horizontal at all operating angles.



	13" x 62' & 72'	13" x 82' & 92'	13" x 102'
Tractor Hydraulics for Auger Lift	1500 PSI (10500 kPa)	1500 PSI (10500 kPa)	1500 PSI (10500 kPa)
Approx. P.T.O. Power	100 HP (75 kw)	110 HP (85 kw)	120 HP (90 kw)

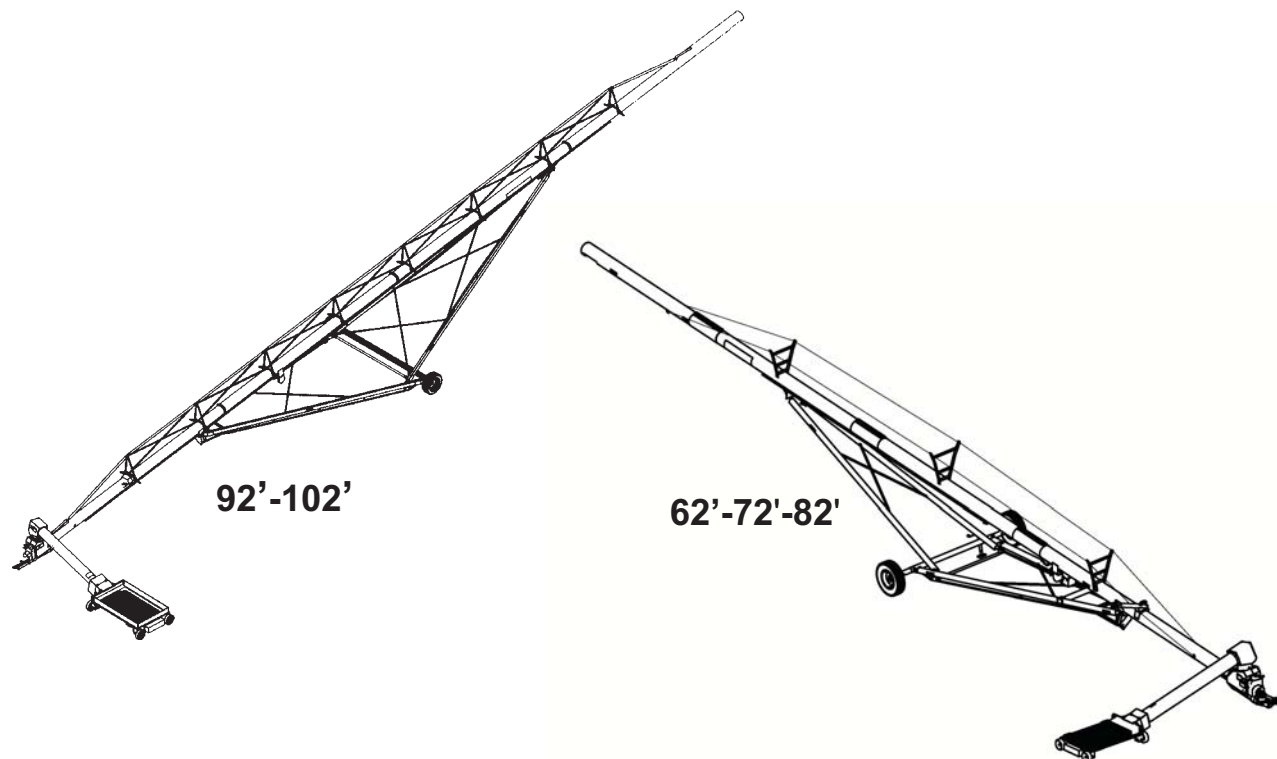
#### SPECIFICATIONS

- CAPACITY:** 9000 BPH (243 TPH)
- UNDERCARRIAGE:** Rectangular high strength tubing w/hydraulic winch lifting mechanism
- AUGER SHAFT:** High strength 2-7/8" (73 mm) O.D. tubing
- FLIGHT GAUGE:** 7 Ga. (4.5 mm) Standard  
1/4" (6 mm) Optional
- AUGER LENGTHS:** 62', 72', 82', 92' & 102'
- AUGER TUBE:** 13" (33.0 cm) O.D. 12 ga. (2.66 mm) steel tube
- DIRECT DRIVE :** 540 PTO w/50° CV and Shear Mechanism
- SIDE DRIVE:** Reduction gearbox with 1-3/8" (35 mm) x 21 spline or 1-3/4" (44 mm) 20 spline 1000 PTO w/shear mechanism

#### INCLUDES:

- 12 GA. (2.66 mm) HOUSING
- HEAVY-DUTY JACK
- HYDRAULIC WINCH LIFT UNDERCARRIAGE
- TAPERED ROLLER WHEEL BEARINGS
- 50° CV 540 PTO DRIVELINE ON DIRECT DRIVE UNIT - C.E. CERTIFIED
- 16" (406 mm) RIMS (LESS TIRES)
- DOUBLE FLIGHT AT MAIN AUGER INLET
- 1/4" (6 mm) FLIGHT IN SWING-AWAY HOPPER & INCLINE TUBE

### 13" SWING-AWAY GEAR DRIVE AUGER



To order Hutchinson augers, add "H", i.e. H13102803L; Mayrath use existing Catalog No.

#### GALVANIZED TUBE

AUGER SIZE	Catalog No.	PTO	Weight	List Price
13" x 62'	1362803L	540	4200 lbs. (1905 kg)	\$18,783.00
13" x 72'	1372803L	540	4590 lbs. (2082 kg)	20,127.00
13" x 82'	1382803L	540	5020 lbs. (2277 kg)	22,142.00
13" x 92'	1392803L	540	6150 lbs. (2790 kg)	25,997.00
13" x 102'	13102803L	540	6970 lbs. (3162 kg)	27,697.00

#### PAINTED TUBE

AUGER SIZE	Catalog No.	PTO	Weight	List Price
13" x 62'	1362805L	540	4300 lbs. (1950 kg)	\$18,236.00
13" x 72'	1372805L	540	4690 lbs. (2127 kg)	19,541.00
13" x 82'	1382805L	540	5120 lbs. (2322 kg)	21,497.00
13" x 92'	1392805L	540	6250 lbs. (2835 kg)	25,240.00
13" x 102'	13102805L	540	7070 lbs. (3207 kg)	26,891.00

#### Optional Equipment

**TIRES** - Add "8" to Catalog No., i.e. 1372803L8. Add \$550.00 to List Price. Includes 6" (15.2 cm) wide wheels, with 235/85R16 - 10 ply tires.

**1/4" (6 mm) FLIGHT** - Add "7" to Catalog No., i.e. 1382803L7. Add \$8.00/ft of auger length to List Price.

**Intermediate Flight Bearings** - Add "5" to Catalog No., i.e. 1382803L5. Add \$21.00/ft. to List Price.

**Electric Winch (5 HP, 220V, 3-phase)** - Add "3" to Catalog No., i.e. 1382803L3. Add \$660.00 to List Price.

**NOTE:** - For 1000 RPM PTO Speed Reducer - See Page 7.

**Side Drive Model** - Add "K" to Catalog No., i.e. 1382803LK. Add \$2,920.00 to List Price.

**Side Drive Model with 1-3/4" (44 mm) - 20 Spline PTO** - Add "K-175" to Catalog No., i.e. 1372803LK-175. Add \$3,106.00 to List Price.