

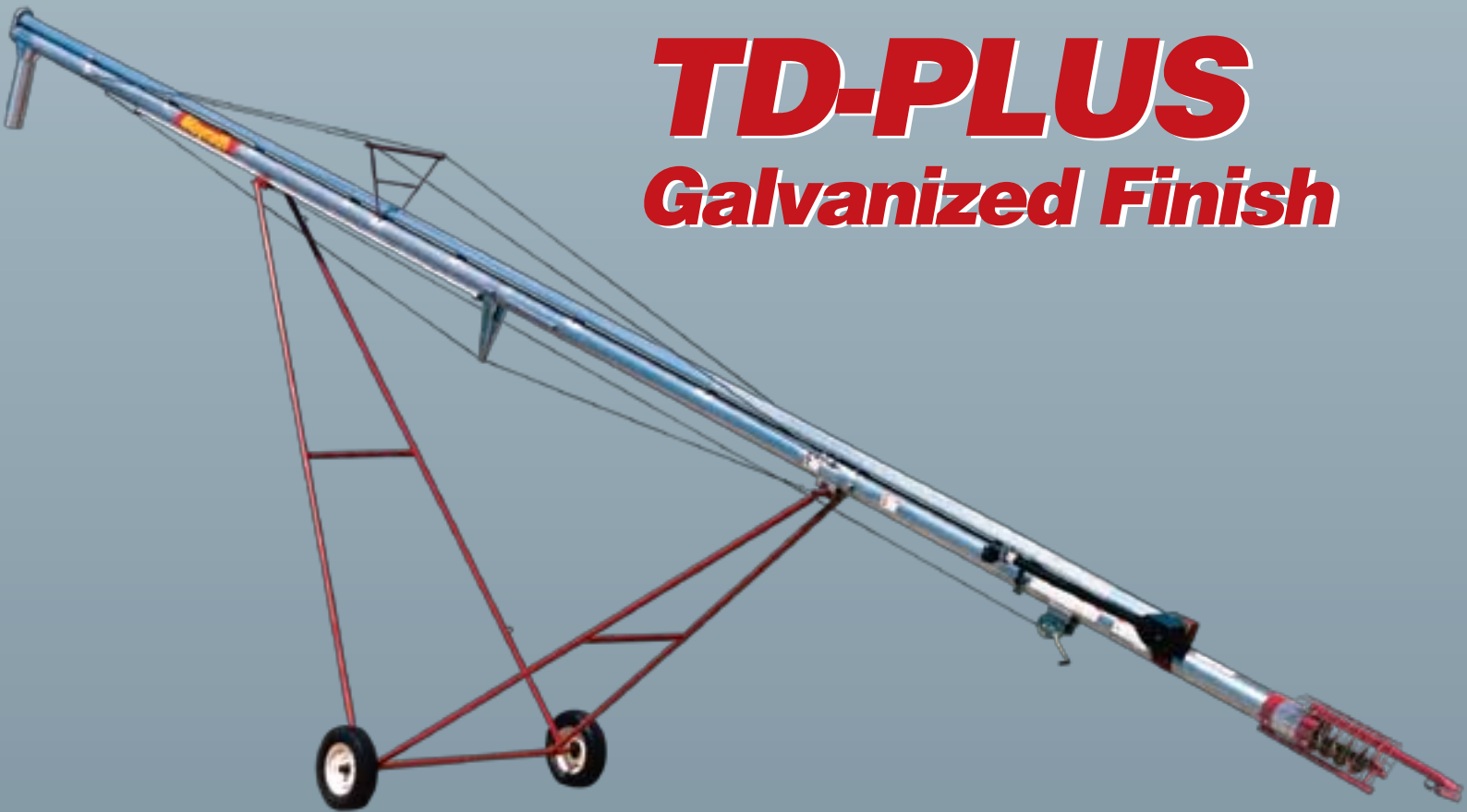
Mayrath

TD

Painted Finish

TD-PLUS

Galvanized Finish



***Available in Painted Finish or
Galvanized Finish.***

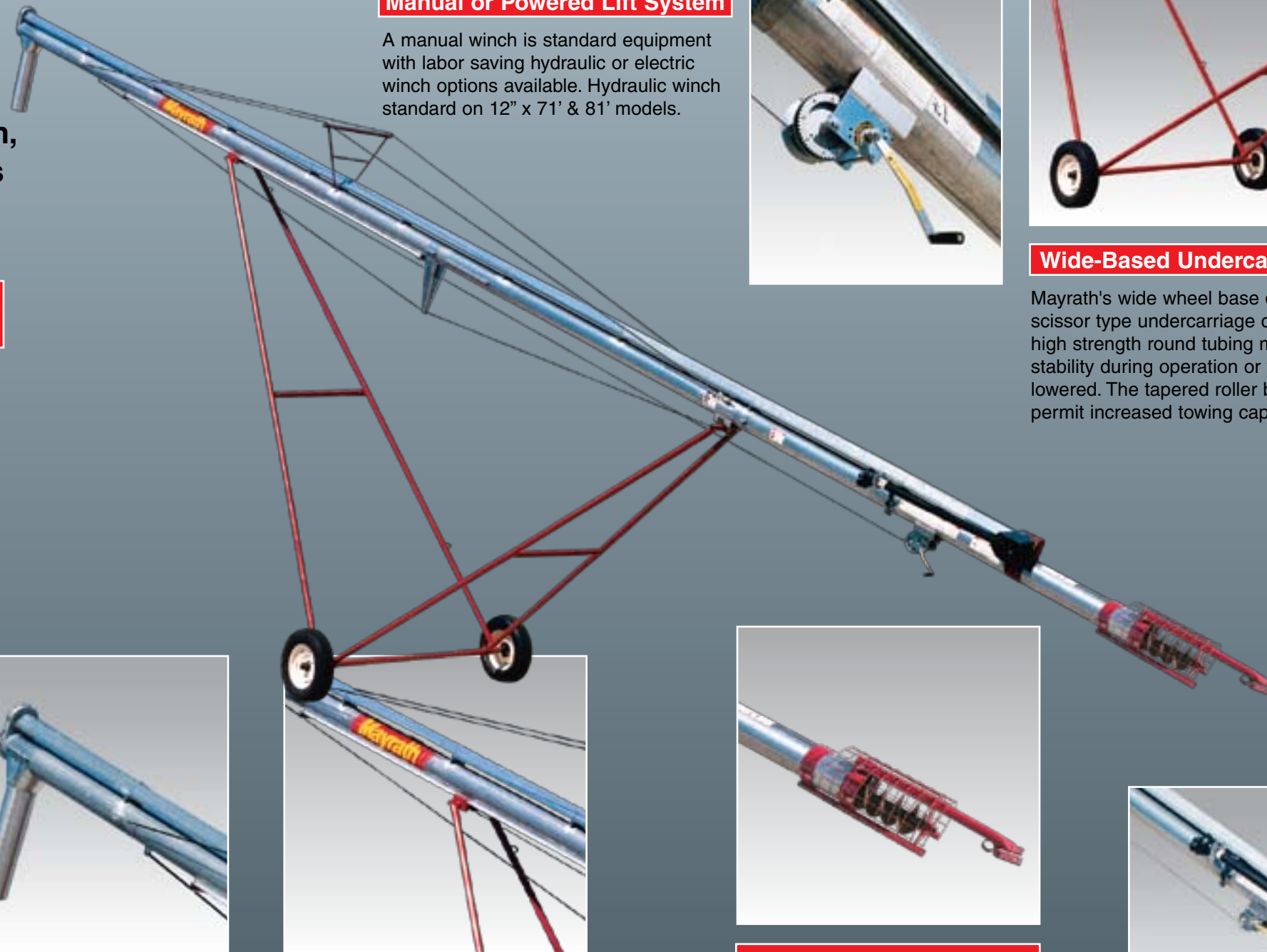
Mayrath

The Mayrath TD & TD-PLUS deliver the most impressive collection of operating and construction features available on any portable grain auger today.

The TD & TD-Plus Mayrath auger lines offer a wide range of model lengths in painted or galvanized finishes. In addition, the TD-PLUS galvanized line is loaded with optional choices.

TD-PLUS- OPTIONS

- Internal bearings on 6", 8" and 10" models. (Standard on 12")
- Heavy gauge flight on 6", 8", 10" and 12" models.
- Corn screens available on 8" and 10" models.



Manual or Powered Lift System

A manual winch is standard equipment with labor saving hydraulic or electric winch options available. Hydraulic winch standard on 12" x 71' & 81' models.



Wide-Based Undercarriage Design

Mayrath's wide wheel base design and scissor type undercarriage constructed of high strength round tubing means greater stability during operation or while being lowered. The tapered roller bearing hubs permit increased towing capability.



Elevates and Lowers Smoothly

The undercarriage slides on four nylon rollers for smoother operation and reduced winch strain. The dual angle iron track is welded to the tube for additional strength on the 6", 8" and 10" models. A box channel is used on the 12" model.



Sealed Oil Bath Drive

The sealed oil bath drive adds years of life to the drive chain and sprocket as a result of constant self-lubrication. All drivelines are solid steel and supported by low maintenance sealed bearings. Not available on 12".



High Capacity Discharge

Optional discharge spouts and accessories are available to meet your operational needs. Heavy duty bearings and components throughout will result in years of trouble free service.



Tough Galvanized Finish

The main tube of the TD-PLUS is a durable galvanized finish. Heavy-duty aircraft cable with trussing aid in supporting the main auger.



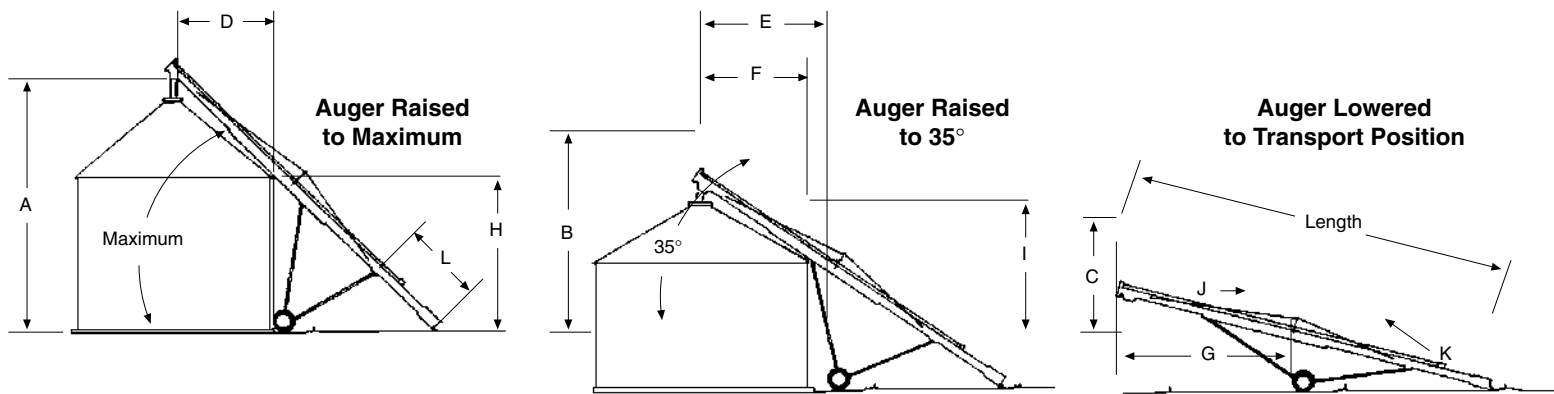
Maximum Capacity Intake

The open design of the auger intake provides maximum capacity while insuring the safest operation. Heavy duty flighting maximizes screw life.



Choice of Drives

Your choice of PTO or Electric Drive (Electric not shown). The PTO drive can be driven from either side of the auger. A shear mechanism is incorporated in the PTO driveline for component protection. A band-on support provides a convenient method to carry the driveline during transport.



TD & TD-PLUS AUGERS

OPERATING HEIGHTS AND GENERAL DIMENSIONS

	A	B	C	D	E	F	G	H	I	J	K	L	
Auger Diameter and Length	Discharge Height at Maximum	Discharge Height at 35°	Overall Height During Transport*	Closest Point to Bin at Maximum	Closest Point to Bin at 35° (ground level)	Closest Point to Bin at 35° (eave level)	Closest Point to Bin at Transport Position	Free Clearance Above Wheels at Max.	Free Clearance Above Wheels at 35°	Length of Upper Under-carriage Arm	Length of Lower Under-carriage Arm	Dist. From Intake to Under-carriage Mount	Tread Width Center of Tire
6" x 31'	21'-8"	17'-8"	9'-4"	8'-3"	9'-11"	10'-1"	12'-9"	13'-4"	10'-8"	9'-7"	8'-0"	9'-0"	6'-5 1/2"
6" x 41'	29'-2"	23'-4"	10'-10"	11'-10"	13'-7"	13'-4"	17'-8"	17'-5"	13'-10"	12'-11"	11'-0"	10'-11"	6'-5 1/2"
6" x 51'	34'-8"	29'-2"	13'-1"	15'-1"	17'-4"	17'-4"	21'-8"	20'-5"	16'-9"	16'-0"	14'-0"	13'-3"	7'-5 1/2"
6" x 61'	43'-5"	34'-10"	13'-6"	17'-11"	21'-9"	19'-11"	26'-10"	30'-6"	20'-8"	20'-0"	16'-0"	17'-0"	7'-5 1/2"
8" x 33'	22'-6"	18'-4"	11'-9"	9'-8"	12'-2"	10'-8"	12'-6"	13'-3"	11'-5"	10'-0"	8'-6"	10'-10"	5'-10 1/2"
8" x 41'	26'-0"	23'-0"	12'-0"	13'-9"	15'-0"	16'-9"	17'-8"	15'-0"	13'-2"	11'-0"	10'-0"	11'-6"	6'-5 1/2"
8" x 47'	32'-0"	26'-5"	13'-2"	15'-5"	15'-10"	17'-4"	19'-2"	18'-5"	16'-0"	14'-0"	12'-9"	13'-1"	6'-5 1/2"
8" x 53'	34'-0"	29'-10"	13'-5"	17'-9"	17'-11"	20'-3"	21'-6"	18'-7"	17'-11"	15'-3"	14'-2"	15'-3"	7'-5 1/2"
8" x 57'	36'-6"	32'-1"	13'-5"	18'-6"	17'-7"	19'-0"	24'-0"	21'-2"	19'-0"	18'-0"	15'-6"	15'-6"	8'-2"
8" x 59'	40'-0"	33'-4"	13'-6"	18'-0"	19'-9"	18'-5"	23'-8"	23'-11"	20'-10"	20'-0"	16'-0"	15'-7"	8'-1/4"
8" x 62'	41'-0"	35'-0"	13'-3"	18'-9"	20'-11"	21'-0"	26'-6"	25'-0"	21'-0"	20'-0"	17'-2"	16'-9"	8'-8"
8" x 65'	43'-0"	36'-10"	14'-6"	20'-0"	22'-7"	23'-6"	27'-0"	24'-10"	21'-7"	20'-0"	17'-2"	19'-0"	8'-8"
8" x 71'	49'-0"	40'-2"	17'-9"	21'-9"	24'-1"	24'-2"	29'-6"	28'-11"	24'-0"	23'-0"	18'-9"	20'-11"	8'-8"
10" x 31'	19'-6"	17'-4"	11'-0"	11'-11"	11'-0"	11'-5"	11'-5"	10'-11"	10'-3"	9'-0"	7'-0"	10'-11"	6'-7"
10" x 41'	26'-0"	23'-0"	12'-10"	14'-0"	14'-11"	16'-8"	17'-7"	15'-0"	13'-3"	11'-0"	10'-0"	11'-8"	7'-3"
10" x 51'	34'-0"	28'-9"	14'-4"	15'-3"	16'-9"	19'-0"	20'-6"	20'-6"	17'-7"	16'-0"	14'-2"	14'-2"	8'-2"
10" x 57'	37'-0"	32'-2"	14'-2"	19'-9"	20'-7"	21'-2"	23'-10"	20'-3"	18'-5"	17'-0"	14'-2"	17'-2"	8'-8"
10" x 61'	41'-6"	34'-6"	15'-0"	18'-0"	20'-4"	20'-3"	25'-6"	25'-4"	21'-0"	20'-0"	17'-0"	16'-6"	8'-8"
10" x 65'	43'-0"	36'-10"	15'-2"	21'-3"	22'-9"	22'-6"	26'-8"	24'-0"	21'-6"	20'-0"	17'-0"	19'-2"	8'-8"
10" x 71'	49'-0"	40'-3"	17'-9"	22'-0"	25'-0"	24'-5"	29'-3"	28'-7"	23'-10"	23'-0"	18'-9"	21'-2"	11'-10 1/2"
12" x 31'	19'-6"	17'-4"	11'-4"	10'-9"	10'-9"	11'-3"	11'-5"	10'-11"	10'-3"	9'-0"	7'-0"	10'-11"	6'-7"
12" x 41'	26'-0"	23'-0"	13'-0"	13'-1"	14'-6"	11'-11"	17'-0"	15'-2"	13'-4"	11'-0"	10'-0"	12'-0"	7'-3"
12" x 51'	34'-0"	29'-0"	14'-5"	15'-0"	16'-7"	17'-9"	20'-0"	20'-6"	17'-9"	16'-0"	14'-2"	14'-7"	8'-2"
12" x 61'	41'-6"	34'-6"	15'-2"	17'-9"	20'-5"	20'-3"	25'-0"	25'-6"	20'-9"	20'-0"	17'-0"	16'-11"	8'-8"
12" x 65'	43'-0"	37'-0"	15'-3"	21'-6"	22'-6"	22'-2"	26'-6"	24'-0"	21'-7"	20'-0"	17'-0"	19'-6"	8'-8"
12" x 71'	49'-0"	40'-4"	17'-9"	22'-0"	24'-7"	24'-3"	28'-10"	28'-4"	23'-11"	23'-0"	18'-9"	21'-5"	11'-10 1/2"
12" x 81'	57'-0"	46'-0"	18'-0"	24'-3"	27'-11"	26'-8"	33'-5"	33'-4"	27'-11"	27'-0"	22'-0"	23'-7"	11'-10 1/2"

*Transport height will be slightly lower when attached to drawbar of towing vehicle.

IMPORTANT: Keep all shields and safety devices in place at all times. Observe all safety signs and warnings shown on the product and in the operator's manual.

Mayrath reserves the right to change design and/or specifications without notice or obligation.

TOLL FREE: (800) 523-6993



A Division of **GLOBAL** Industries, Inc.
 P.O. Box 629 • Clay Center, KS 67432
 Ph. (785) 632-2161 • FAX (785) 632-5964
www.hutchinson-mayrath.com

Distributed by: