

CENTURY II and AMERICAN PORTABLE AUGER

SPECIFICATIONS

6" MODEL: - 2000 BPH (54 TPH)

TUBE: 6" (15.2 cm) O.D. x 16 Ga. (1.52 mm) Wall (galvanized only)
FLIGHTING: 5" (12.7 cm) O.D. x 1-1/4" (32 mm) I.D. x 11 Ga. (3 mm) Thick
INTAKE FLIGHT: 4 3/4" (12.1 cm) O.D. x 1-1/4" (32 mm) I.D. x 11 Ga. (3 mm), 1/4" (6 mm) Thick Double
FLIGHT SHAFT: 1-1/4" (32 mm) O.D. Tubing x 12 Ga. (2.66 mm) Wall
DRIVE SHAFT: 1" (25 mm) Solid Shaft
TRACK: 1-1/4" (32 mm) x 1-1/4" (32 mm) x 1/8" (3 mm) Angle Iron
UNDERCARRIAGE: High Strength Tubing

8" MODEL: - 3200 BPH (86 TPH)

TUBE: 8" (20.3 cm) O.D. x 14 Ga. (1.9 mm) Wall (painted or galvanized)
FLIGHTING: 7" (17.8 cm) O.D. x 1.90" (48 mm) I.D. x 7 Ga. (4.5 mm) Thick
INTAKE FLIGHT: 7" (17.8 cm) O.D. x 1.90" (48 mm) I.D. x 7 Ga. (4.5 mm) Double
FLIGHT SHAFT: 1.90" (48 mm) O.D. Tubing x 11 Ga. (3 mm) Wall
DRIVE SHAFT: 1" (25 mm) Solid Shaft
TRACK: 1-1/2" (38 mm) x 1-1/2" (38 mm) x 3/16" (5 mm) Angle Iron
UNDERCARRIAGE: High Strength Tubing

10" MODEL: - 4500 BPH (122 TPH)

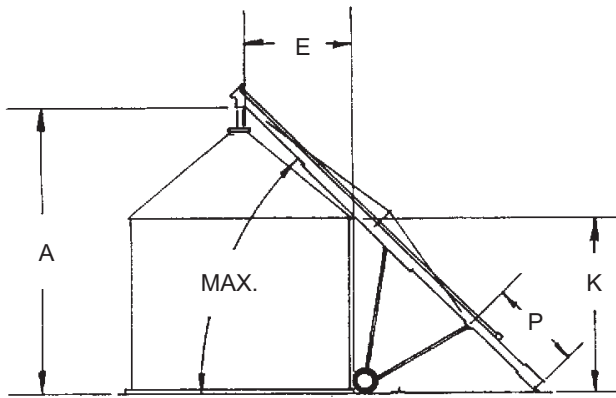
TUBE: 10" (25.4 cm) O.D. x 14 Ga. (1.9 mm) Wall (painted or galvanized)
FLIGHTING: 9" (22.9 cm) O.D. x 1.90" (48 mm) I.D. x 7 Ga. (4.5 mm) Thick
INTAKE FLIGHT: 9" (22.9 cm) O.D. x 1.90" (48 mm) I.D. x 7 Ga. (4.5 mm) Double
FLIGHT SHAFT: 1.90" (48 mm) O.D. Tubing x 11 Ga. (3 mm) Wall & 2-3/8" (60 mm) O.D. for Internal Bearing
DRIVE SHAFT: 1" (25 mm) Solid Shaft
TRACK: 1-1/2" (38 mm) x 1-1/2" (38 mm) x 3/16" (5 mm) Angle
UNDERCARRIAGE: High Strength Tubing

12" MODEL: - 5500 BPH (149 TPH)

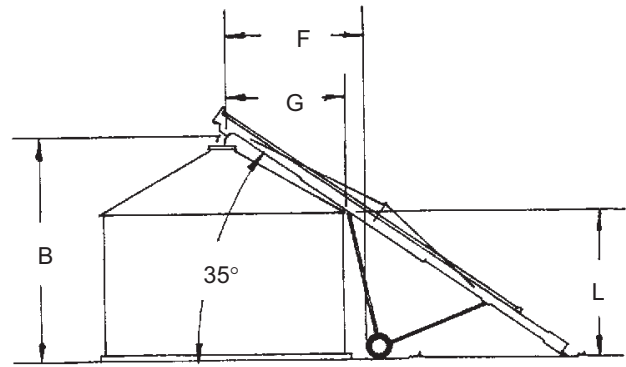
TUBE: 12" (30.5 cm) O.D. x 12 Ga. (2.66 mm) (painted or galvanized)
FLIGHTING: 7 Ga. (4.5 mm) - 3/8" (10 mm) Double Flight on Inlet End
FLIGHT SHAFT: 2-7/8" (73 mm) O.D. High Strength Tube
DRIVE SHAFT: 1.25" (32 mm) Solid Steel Shaft
HEAD DRIVE: #100 Chain & Hardened Sprockets

CENTURY II and AMERICAN PORTABLE AUGERS

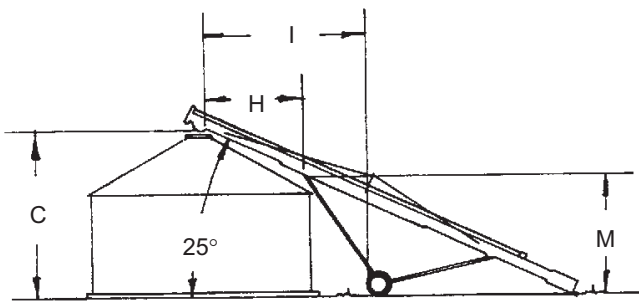
OPERATING HEIGHTS AND GENERAL DIMENSIONS



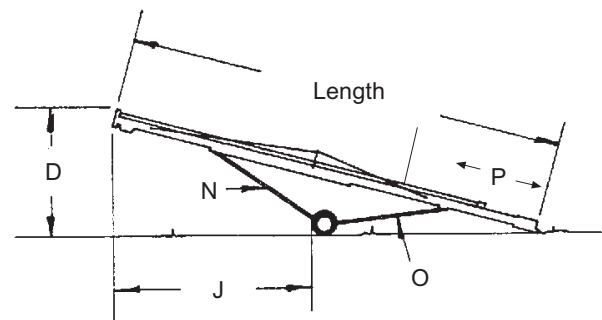
Auger Raised to Maximum Position



Auger Raised to 35°



Auger Raised to 25°



Auger in Transport Position

See chart on following page for dimensions.

CENTURY II and AMERICAN PORTABLE AUGERS OPERATING HEIGHTS AND GENERAL DIMENSIONS

	A	B	C	D	E	F	G	H
Auger Diameter and Length	Discharge Height at Maximum	Discharge Height at 35°	Discharge Height at 25°	Overall Height During Transport*	Closest Point to Bin at Maximum	Closest Point to Bin at 35° (ground level)	Closest Point to Bin at 35° (eave level)	Closest Point to Bin at 25° (eave level)
6" x 31'	21'-8" (6.60 m)	17'-8" (5.28 m)	13'-1" (3.99 m)	9'-4" (2.84 m)	8'-3" (2.51 m)	9'-11" (3.02 m)	10'-1" (3.07 m)	7'-9" (2.36 m)
6" x 41'	29'-2" (8.89 m)	23'-4" (7.11 m)	17'-3" (5.26 m)	10'-10" (3.30 m)	11'-10" (3.61 m)	13'-7" (4.14 m)	13'-4" (4.06 m)	10'-3" (3.12 m)
6" x 51'	34'-8" (10.57 m)	29'-2" (8.89 m)	21'-6" (6.55 m)	13'-1" (3.99 m)	15'-1" (4.60 m)	17'-4" (5.28 m)	17'-4" (5.28 m)	13'-5" (4.09 m)
6" x 61'	43'-5" (13.23 m)	34'-10" (10.62 m)	25'-9" (7.77 m)	13'-6" (4.11 m)	17'-11" (5.46 m)	21'-9" (6.63 m)	19'-11" (6.07 m)	15'-7" (4.75 m)
8" x 33'	22'-6" (6.86 m)	18'-4" (5.59 m)	13'-5" (4.09 m)	11'-9" (3.58 m)	9'-8" (2.95 m)	12'-2" (3.71 m)	10'-8" (3.25 m)	8'-8" (2.64 m)
8" x 41'	26'-0" (7.92 m)	23'-0" (7.01 m)	16'-10" (5.13 m)	12'-0" (3.66 m)	13'-9" (4.19 m)	15'-0" (4.57 m)	16'-9" (5.11 m)	13'-5" (4.09 m)
8" x 47'	32'-0" (9.75 m)	26'-5" (8.05 m)	19'-5" (5.92 m)	13'-2" (4.01 m)	15'-5" (4.70 m)	15'-10" (4.83 m)	17'-4" (5.28 m)	13'-3" (4.04 m)
8" x 53'	34'-0" (10.36 m)	29'-10" (9.09 m)	21'-10" (6.65 m)	13'-5" (4.09 m)	17'-9" (5.41 m)	17'-11" (5.46 m)	20'-3" (6.17 m)	15'-6" (4.72 m)
8" x 57'	36'-6" (11.13 m)	32'-1" (9.78 m)	23'-6" (7.16 m)	13'-5" (4.09 m)	18'-6" (5.64 m)	17'-7" (5.36 m)	19'-0" (5.79 m)	15'-1" (4.60 m)
8" x 59'	40'-0" (12.19 m)	33'-4" (10.16 m)	24'-4" (7.42 m)	13'-6" (4.11 m)	18'-0" (5.49 m)	19'-9" (6.02 m)	18'-5" (5.61 m)	13'-5" (4.09 m)
8" x 62'	41'-0" (12.50 m)	35'-0" (10.67 m)	25'-8" (7.82 m)	13'-3" (4.04 m)	18'-9" (5.72 m)	20'-11" (6.38 m)	21'-0" (6.40 m)	16'-0" (4.88 m)
8" x 65'	43'-0" (13.11 m)	36'-10" (11.23 m)	26'-11" (8.20 m)	14'-6" (4.42 m)	20'-0" (6.10 m)	22'-7" (6.88 m)	23'-6" (7.16 m)	17'-9" (5.41 m)
8" x 71'	49'-0" (14.94 m)	40'-2" (12.24 m)	29'-5" (8.97 m)	17'-9" (5.41 m)	21'-9" (6.63 m)	24'-1" (7.59 m)	24'-2" (7.37 m)	18'-2" (5.54 m)

	I	J	K	L	M	N	O	P	
Auger Diameter and Length	Closest Point to Bin at 25° (ground level)	Closest Point to Bin at Transport Position	Free Clearance Above Wheels at Maximum	Free Clearance Above Wheels at 35°	Free Clearance Above Wheels at 25°	Length of Upper Under-carriage Arm	Length of Lower Under-carriage Arm	Distance From Intake to Under-carriage Mount	Tread Width Center of Tire
6" x 31'	11'-2" (3.40 m)	12'-9" (3.89 m)	13'-4" (4.06 m)	10'-8" (3.25 m)	9'-3" (2.82 m)	9'-7" (2.92 m)	8'-0" (2.44 m)	9'-0" (2.74 m)	6'-5 1/2" (1.97 m)
6" x 41'	15'-6" (4.72 m)	17'-8" (5.38 m)	17'-5" (5.31 m)	13'-10" (4.22 m)	12'-4" (3.76 m)	12'-11" (3.94 m)	11'-0" (3.35 m)	10'-11" (3.33 m)	6'-5 1/2" (1.97 m)
6" x 51'	19'-8" (5.99 m)	21'-8" (6.60 m)	20'-5" (6.22 m)	16'-9" (5.11 m)	15'-1" (4.60 m)	16'-0" (4.88 m)	14'-0" (4.27 m)	13'-3" (4.04 m)	7'-5 1/2" (2.27 m)
6" x 61'	24'-6" (7.47 m)	26'-10" (8.18 m)	30'-6" (9.30 m)	20'-8" (6.30 m)	18'-3" (5.56 m)	20'-0" (6.10 m)	16'-0" (4.88 m)	17'-0" (5.18 m)	7'-5 1/2" (2.27 m)
8" x 33'	8'-11" (2.72 m)	12'-6" (3.81 m)	13'-3" (4.04 m)	11'-5" (3.48 m)	10'-0" (3.05 m)	10'-0" (3.05 m)	8'-6" (2.59 m)	10'-10" (3.30 m)	5'-10 1/2" (1.79 m)
8" x 41'	16'-9" (5.11 m)	17'-8" (5.38 m)	15'-0" (4.57 m)	13'-2" (4.01 m)	11'-2" (3.40 m)	11'-0" (3.35 m)	10'-0" (3.05 m)	11'-6" (3.51 m)	6'-5 1/2" (1.97 m)
8" x 47'	18'-0" (5.49 m)	19'-2" (5.84 m)	18'-5" (5.61 m)	16'-0" (4.88 m)	13'-9" (4.19 m)	14'-0" (4.27 m)	12'-9" (3.89 m)	13'-1" (3.99 m)	6'-5 1/2" (1.97 m)
8" x 53'	20'-0" (6.10 m)	21'-6" (6.55 m)	18'-7" (5.66 m)	17'-11" (5.46 m)	15'-1" (4.60 m)	15'-3" (4.65 m)	14'-2" (4.32 m)	15'-3" (4.65 m)	7'-5 1/2" (2.27 m)
8" x 57'	22'-0" (6.71 m)	24'-0" (7.32 m)	21'-2" (6.45 m)	19'-0" (5.79 m)	17'-0" (5.18 m)	18'-0" (5.49 m)	15'-6" (4.72 m)	15'-6" (4.72 m)	8'-2" (2.49 m)
8" x 59'	21'-10" (6.65 m)	23'-8" (7.21 m)	23'-11" (7.29 m)	20'-10" (6.35 m)	18'-6" (5.64 m)	20'-0" (6.10 m)	16'-0" (4.88 m)	15'-7" (4.75 m)	8'-1/4" (2.44 m)
8" x 62'	21'-0" (6.40 m)	26'-6" (8.08 m)	25'-0" (7.62 m)	21'-0" (6.40 m)	18'-10" (5.74 m)	20'-0" (6.10 m)	17'-2" (5.23 m)	16'-9" (5.11 m)	8'-8" (2.64 m)
8" x 65'	25'-0" (7.62 m)	27'-0" (8.23 m)	24'-10" (7.57 m)	21'-7" (6.58 m)	19'-2" (5.84 m)	20'-0" (6.10 m)	17'-2" (5.23 m)	19'-0" (5.79 m)	8'-8" (2.64 m)
8" x 71'	27'-3" (8.31 m)	28'-6" (8.99 m)	28'-11" (8.81 m)	24'-0" (7.32 m)	21'-8" (6.60 m)	23'-0" (7.01 m)	18'-9" (5.72 m)	20'-11" (6.38 m)	8'-8" (2.64 m)

*Transport height will be slightly lower when attached to drawbar of towing vehicle.

CENTURY II and AMERICAN PORTABLE AUGERS OPERATING HEIGHTS AND GENERAL DIMENSIONS

	A	B	C	D	E	F	G	H
Auger Diameter and Length	Discharge Height at Maximum	Discharge Height at 35°	Discharge Height at 25°	Overall Height During Transport*	Closest Point to Bin at Maximum	Closest Point to Bin at 35° (ground level)	Closest Point to Bin at 35° (eave level)	Closest Point to Bin at 25° (eave level)
10" x 31'	19'-6" (5.94 m)	17'-4" (5.28 m)	12'-8" (3.86 m)	11'-0" (3.35 m)	11'-11" (3.63 m)	11'-0" (3.35 m)	11'-5" (3.48 m)	8'-9" (2.67 m)
10" x 35'	21'-6" (6.55 m)	19'-6" (5.94 m)	14'-5" (4.39 m)	12'-6" (3.81 m)	10'-6" (3.20 m)	11'-3" (3.43 m)	11'-3" (3.43 m)	9'-0" (2.74 m)
10" x 41'	26'-0" (7.92 m)	23'-0" (7.01 m)	16'-10" (5.13 m)	12'-10" (3.91 m)	14'-0" (4.27 m)	14'-11" (4.55 m)	16'-8" (5.08 m)	13'-4" (4.06 m)
10" x 51'	34'-0" (10.36 m)	28'-9" (8.76 m)	21'-1" (6.43 m)	14'-4" (4.37 m)	15'-3" (4.65 m)	16'-9" (5.11 m)	19'-0" (5.79 m)	13'-2" (4.01 m)
10" x 57'	37'-0" (11.28 m)	32'-2" (9.80 m)	23'-6" (7.16 m)	14'-2" (4.32 m)	19'-9" (6.02 m)	20'-7" (6.27 m)	21'-2" (6.45 m)	16'-5" (5.00 m)
10" x 61'	41'-6" (12.65 m)	34'-6" (10.52 m)	25'-2" (7.67 m)	15'-0" (4.57 m)	18'-0" (5.49 m)	20'-4" (6.20 m)	20'-3" (6.17 m)	15'-3" (4.65 m)
10" x 65'	43'-0" (13.11 m)	36'-10" (11.23 m)	26'-11" (8.20 m)	15'-2" (4.62 m)	21'-3" (6.48 m)	22'-9" (6.93 m)	22'-6" (6.86 m)	17'-11" (5.46 m)
10" x 71'	49'-0" (14.94 m)	40'-3" (12.27 m)	29'-6" (8.99 m)	17'-9" (5.41 m)	22'-0" (6.71 m)	25'-0" (7.62 m)	24'-5" (7.44 m)	18'-3" (5.56 m)
12" x 31'	19'-6" (5.94 m)	17'-4" (5.28 m)	12'-8" (3.86 m)	11'-4" (3.45 m)	10'-9" (3.28 m)	10'-9" (3.28 m)	11'-3" (3.43 m)	8'-6" (2.59 m)
12" x 41'	26'-0" (7.92 m)	23'-0" (7.01 m)	16'-10" (5.13 m)	13'-0" (3.96 m)	13'-1" (3.99 m)	14'-6" (4.42 m)	11'-11" (3.63 m)	13'-1" (3.99 m)
12" x 51'	34'-0" (10.36 m)	29'-0" (8.84 m)	21'-1" (6.43 m)	14'-5" (4.39 m)	15'-0" (4.57 m)	16'-7" (5.05 m)	17'-9" (5.41 m)	13'-1" (3.99 m)
12" x 61'	41'-6" (12.65 m)	34'-6" (10.52 m)	25'-2" (7.67 m)	15'-2" (4.62 m)	17'-9" (5.41 m)	20'-5" (6.22 m)	20'-3" (6.17 m)	15'-0" (4.57 m)
12" x 65'	43'-0" (13.11 m)	37'-0" (11.28 m)	27'-0" (8.23 m)	15'-3" (4.65 m)	21'-6" (6.55 m)	22'-6" (6.86 m)	22'-2" (6.76 m)	17'-7" (5.36 m)
12" x 71'	49'-0" (14.94 m)	40'-4" (12.29 m)	29'-7" (9.02 m)	17'-9" (5.41 m)	22'-0" (6.71 m)	24'-7" (7.49 m)	24'-3" (7.39 m)	18'-0" (5.49 m)
12" x 81'	57'-0" (17.37 m)	46'-0" (14.02 m)	33'-9" (10.29 m)	18'-0" (5.49 m)	24'-3" (7.39 m)	27'-11" (8.51 m)	26'-8" (8.13 m)	19'-10" (6.05 m)

	I	J	K	L	M	N	O	P	
Auger Diameter and Length	Closest Point to Bin at 25° (ground level)	Closest Point to Bin at Transport Position	Free Clearance Above Wheels at Maximum	Free Clearance Above Wheels at 35°	Free Clearance Above Wheels at 25°	Length of Upper Under-carriage Arm	Length of Lower Under-carriage Arm	Distance from Intake to Under-carriage Mount	Tread Width Center of Tire
10" x 31'	11'-2" (3.40 m)	11'-5" (3.48 m)	10'-11" (3.33 m)	10'-3" (3.12 m)	9'-2" (2.79 m)	9'-0" (2.74 m)	7'-0" (2.13 m)	10'-11" (3.33 m)	6'-7" (2.01 m)
10" x 35'	12'-10" (3.91 m)	15'-9" (4.80 m)	12'-10" (3.91 m)	11'-5" (3.48 m)	10'-1" (3.07 m)	9'-10" (3.0 m)	8'-5" (2.57 m)	9'-6" (2.9 m)	7'-3" (2.21 m)
10" x 41'	16'-9" (5.11 m)	17'-7" (5.36 m)	15'-0" (4.57 m)	13'-3" (4.04 m)	11'-2" (3.40 m)	11'-0" (3.35 m)	10'-0" (3.05 m)	11'-8" (3.56 m)	7'-3" (2.21 m)
10" x 51'	17'-8" (5.38 m)	20'-6" (6.25 m)	20'-6" (6.25 m)	17'-7" (5.36 m)	15'-5" (4.70 m)	16'-0" (4.88 m)	14'-2" (4.32 m)	14'-2" (4.32 m)	8'-2" (2.49 m)
10" x 57'	22'-3" (6.78 m)	23'-10" (7.26 m)	20'-3" (6.17 m)	18'-5" (5.61 m)	16'-6" (5.03 m)	17'-0" (5.18 m)	14'-2" (4.32 m)	17'-2" (5.23 m)	8'-8" (2.64 m)
10" x 61'	23'-3" (7.09 m)	25'-6" (7.77 m)	25'-4" (7.72 m)	21'-0" (6.40 m)	18'-9" (5.72 m)	20'-0" (6.10 m)	17'-0" (5.18 m)	16'-6" (5.03 m)	8'-8" (2.64 m)
10" x 65'	24'-10" (7.57 m)	26'-8" (8.13 m)	24'-0" (7.32 m)	21'-6" (6.55 m)	19'-2" (5.84 m)	20'-0" (6.10 m)	17'-0" (5.18 m)	19'-2" (5.84 m)	8'-8" (2.64 m)
10" x 71'	27'-3" (8.31 m)	29'-3" (8.92 m)	28'-7" (8.71 m)	23'-10" (7.26 m)	21'-7" (6.58 m)	23'-0" (7.01 m)	18'-9" (5.72 m)	21'-2" (6.45 m)	11'-10 1/2" (3.62 m)
12" x 31'	11'-2" (3.40 m)	11'-5" (3.48 m)	10'-11" (3.33 m)	10'-3" (3.12 m)	9'-2" (2.79 m)	9'-0" (2.74 m)	7'-0" (2.13 m)	10'-11" (3.33 m)	6'-7" (2.01 m)
12" x 41'	16'-0" (4.88 m)	17'-0" (5.18 m)	15'-2" (4.62 m)	13'-4" (4.06 m)	11'-2" (3.40 m)	11'-0" (3.35 m)	10'-0" (3.05 m)	12'-0" (3.66 m)	7'-3" (2.21 m)
12" x 51'	18'-7" (5.66 m)	20'-0" (6.10 m)	20'-6" (6.25 m)	17'-9" (5.41 m)	15'-6" (4.72 m)	16'-0" (4.88 m)	14'-2" (4.32 m)	14'-7" (4.45 m)	8'-2" (2.49 m)
12" x 61'	23'-0" (7.01 m)	25'-0" (7.62 m)	25'-6" (7.77 m)	20'-9" (6.32 m)	18'-9" (5.72 m)	20'-0" (6.10 m)	17'-0" (5.18 m)	16'-11" (5.16 m)	8'-8" (2.64 m)
12" x 65'	24'-8" (7.52 m)	26'-6" (8.08 m)	24'-0" (7.32 m)	21'-7" (6.58 m)	19'-3" (5.87 m)	20'-0" (6.10 m)	17'-0" (5.18 m)	19'-6" (5.94 m)	8'-8" (2.64 m)
12" x 71'	26'-11" (8.20 m)	28'-10" (8.79 m)	28'-4" (8.64 m)	23'-11" (7.29 m)	21'-8" (6.60 m)	23'-0" (7.01 m)	18'-9" (5.72 m)	21'-5" (6.53 m)	11'-10 1/2" (3.62 m)
12" x 81'	30'-10" (9.42 m)	33'-5" (10.19 m)	33'-4" (10.16 m)	27'-11" (8.51 m)	25'-0" (7.62 m)	27'-0" (8.23 m)	22'-0" (6.71 m)	23'-7" (7.19 m)	11'-10 1/2" (3.62 m)

*Transport height will be slightly lower when attached to drawbar of towing vehicle.

CENTURY II and AMERICAN AUGER POWER REQUIREMENTS

MODEL	BPH (tph) (Max.)	FLIGHT R.P.M. (# of Belts)			POWER REQUIREMENTS			ENGINE PULLEY (Outside Diameter)	MOTOR PULLEY
		Gas	Elec.	P.T.O.	Gas	Elec*.	P.T.O.		
6" x 31'	2000 BPH (54 tph)	740 (2)	650 (1)	685	8 HP (6 kw)	5 HP (4 kw)	P.T.O.	3.5" O.D. (89 mm)	3.5" O.D. (89 mm)
6" x 41'	2000 BPH (54 tph)	740 (2)	650 (2)	685	10 HP (8 kw)	5 HP (4 kw)	P.T.O.	3.5" O.D. (89 mm)	3.5" O.D. (89 mm)
6" x 51'	2000 BPH (54 tph)	740 (2)	650 (2)	685	12 HP (9 kw)	7 1/2 HP (5.5 kw)	P.T.O.	3.5" O.D. (89 mm)	3.5" O.D. (89 mm)
6" x 61'	2000 BPH (54 tph)	—	650 (2)	685	—	7 1/2-10 HP (5.5-7.5 kw)	P.T.O.	—	3.5" O.D. (89 mm)
8" x 33'	3200 BPH (86 tph)	583 (2)	525 (2)	540	9 HP (7 kw)	5 HP (4 kw)	P.T.O.	3.5" O.D. (89 mm)	4.5" O.D. (114 mm)
8" x 41'	3200 BPH (86 tph)	583 (2)	525 (2)	540	12 HP (9 kw)	5-7 1/2 HP (4-5.5 kw)	P.T.O.	3.5" O.D. (89 mm)	4.5" O.D. (114 mm)
8" x 47'	3200 BPH (86 tph)	583 (2)	525 (2)	540	12 HP (9 kw)	7 1/2 HP (5.5 kw)	P.T.O.	3.5" O.D. (89 mm)	4.5" O.D. (114 mm)
8" x 53'	3200 BPH (86 tph)	—	525 (2)	540	—	7 1/2-10 HP (5.5-7.5 kw)	P.T.O.	—	4.5" O.D. (114 mm)
8" x 57'	3200 BPH (86 tph)	—	525 (3)	540	—	7 1/2-10 HP (5.5-7.5 kw)	P.T.O.	—	4.5" O.D. (114 mm)
8" x 59'	3200 BPH (86 tph)	—	525 (3)	540	—	10-15 HP (7.5-11 kw)	P.T.O.	—	4.5" O.D. (114 mm)
8" x 62'	3200 BPH (86 tph)	—	525 (3)	540	—	10-15 HP (7.5-11 kw)	P.T.O.	—	4.5" O.D. (114 mm)
8" x 65'	3200 BPH (86 tph)	—	525 (3)	540	—	10-15 HP (7.5-11 kw)	P.T.O.	—	4.5" O.D. (114 mm)
8" x 71'	3200 BPH (86 tph)	—	525 (3)	540	—	15-20 HP (11-15 kw)	P.T.O.	—	4.5" O.D. (114 mm)
10" x 31'	4500 BPH (122 tph)	467 (2)	467 (3)	540	18 HP (14 kw)	7 1/2-10 HP (5.5-7.5 kw)	P.T.O.	3.5" O.D. (89 mm)	4.0" O.D. (102 mm)
10" x 35'	4500 BPH (122 tph)	—	467 (3)	540	—	10-15 HP (7.5-11 kw)	P.T.O.	—	4.0" O.D. (102 mm)
10" x 41'	4500 BPH (122 tph)	467 (2)	467 (3)	540	18 HP (14 kw)	10-15 HP (7.5-11 kw)	P.T.O.	—	4.0" O.D. (102 mm)
10" x 51'	4500 BPH (122 tph)	—	467 (3)	540	—	15-20 HP (11-15 kw)	P.T.O.	—	4.0" O.D. (102 mm)
10" x 57'	4500 BPH (122 tph)	—	443 (4)	540	—	15-20 HP (11-15 kw)	P.T.O.	—	4.0" O.D. (102 mm)
10" x 61'	4500 BPH (122 tph)	—	443 (4)	540	—	15-20 HP (11-15 kw)	P.T.O.	—	4.0" O.D. (102 mm)
10" x 65'	4500 BPH (122 tph)	—	443 (4)	540	—	20-25 HP (15-18.5 kw)	P.T.O.	—	4.0" O.D. (102 mm)
10" x 71'	4500 BPH (122 tph)	—	443 (4)	540	—	20-25 HP (15-18.5 kw)	P.T.O.	—	4.0" O.D. (102 mm)
12" x 31'	5500 BPH (149 tph)	—	410 (3)	337	—	10-15 HP (7.5-11 kw)	P.T.O.	—	4.5" O.D. (114 mm)
12" x 41'	5500 BPH (149 tph)	—	384 (4)	337	—	15-20 HP (11-15 kw)	P.T.O.	—	4.5" O.D. (114 mm)
12" x 51'	5500 BPH (149 tph)	—	384 (4)	337	—	15-20 HP (11-15 kw)	P.T.O.	—	4.5" O.D. (114 mm)
12" x 61'	5500 BPH (149 tph)	—	384 (4)	337	—	20-25 HP (15-18.5 kw)	P.T.O.	—	4.5" O.D. (114 mm)
12" x 65'	5500 BPH (149 tph)	—	384 (4)	337	—	20-25 HP (15-18.5 kw)	P.T.O.	—	4.5" O.D. (114 mm)
12" x 71'	5500 BPH (149 tph)	—	346 (5)	337	—	30 HP (22 kw)	P.T.O.	—	5.0" O.D. (127 mm)
12" x 81'	5500 BPH (149 tph)	—	346 (5)	337	—	30 HP (22 kw)	P.T.O.	—	5.0" O.D. (127 mm)

NOTE: For 6" augers equipped with intermediate flight bearings, Hutchinson/Mayrath recommends an operating speed not to exceed 500 R.P.M.

*Use a motor size at the lower end of the range for dry, shelled corn or wheat. For higher moisture grain (up to 25%), use the upper end of the horsepower range. For grain exceeding 25% moisture, the next size larger motor above the range listed may be used as a maximum.

For units with optional Reduction Drive, use a motor size at the lower end of the range or a size below the recommended range, depending on the capacity required.

6" GALVANIZED CENTURY II AUGER

Spouts -
see auger accessories

P.T.O. Drive:

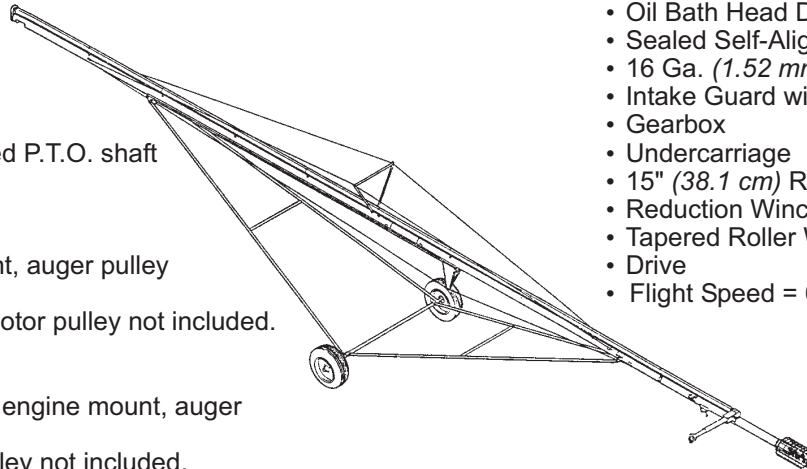
- Includes fully shielded P.T.O. shaft with shear bolt.

ELECTRIC DRIVE:

- Includes motor mount, auger pulley and belts.
- Electric motor and motor pulley not included.

GAS ENGINE DRIVE:

- Includes underslung engine mount, auger pulley and belts.
- Engine and drive pulley not included.



PRICE INCLUDES:

- Oil Bath Head Drive (1 to 1.27 Ratio)
- Sealed Self-Aligning Drive Shaft Bearings
- 16 Ga. (1.52 mm) **Galvanized Housing**
- Intake Guard with Hitch
- Gearbox
- Undercarriage
- 15" (38.1 cm) Rims (Less Tires)
- Reduction Winch
- Tapered Roller Wheel Bearings
- Drive
- Flight Speed = 650 RPM

PTO DRIVE SHOWN

To order Hutchinson augers, add "H", i.e. H631700P; Mayrath use existing Catalog No.

CATALOG NO.	DIAMETER	LENGTH	WT.	LIST PRICE
AUGER COMPLETE WITH POWER TAKE OFF (P.T.O.) DRIVE				
631700P	6" (15.2 cm)	31' (9.45 m)	604 lbs. (274 kg)	\$ 3,440.00
641700P	6" (15.2 cm)	41' (12.5 m)	701 lbs. (318 kg)	4,004.00
651700P	6" (15.2 cm)	51' (15.54 m)	910 lbs. (413 kg)	4,589.00
661700P	6" (15.2 cm)	61' (18.59 m)	1295 lbs. (587 kg)	5,620.00
AUGER COMPLETE WITH ELECTRIC MOTOR DRIVE				
631700E	6" (15.2 cm)	31' (9.45 m)	596 lbs. (270 kg)	3,109.00
641700E	6" (15.2 cm)	41' (12.5 m)	692 lbs. (314 kg)	3,673.00
651700E	6" (15.2 cm)	51' (15.54 m)	890 lbs. (404 kg)	4,290.00
661700E	6" (15.2 cm)	61' (18.59 m)	1273 lbs. (577 kg)	5,320.00
AUGER COMPLETE WITH UNDERSLUNG GAS ENGINE MOUNT				
631701G	6" (15.2 cm)	31' (9.45 m)	596 lbs. (270 kg)	3,543.00
641701G	6" (15.2 cm)	41' (12.5 m)	692 lbs. (314 kg)	4,361.00
651701G	6" (15.2 cm)	51' (15.54 m)	890 lbs. (404 kg)	4,774.00

OPTIONAL EQUIPMENT

Reduction Drive

Enclosed 1.27:1 Reduction Head Drive (Flight Speed = 450 RPM) - Add "R" to Catalog No., i.e. 631700ER. Add \$87.00 to List Price.

***Intermediate Flight Bearings** {Available only with 7 ga. (4.5 mm) flight mounted on 1.9" (48 mm) O.D. x 11ga. (3 mm) wall tube.} Add "56" to Catalog No., i.e. 631700P56. Add \$23.00/ft to List Price.

Flight Options:

7 Ga. (4.5 mm) Thick Flighting - Add "6" to Catalog No., i.e. 631700P6. Add \$4.75/ft to List Price.

TIRES -	Add Tire	Example	Add to List
8	Standard Implement	631700P8	\$170.00
88	Automotive Tire	631700P88	\$273.00

Use consecutive numbers when ordering several options. i.e. 631700P68 would be a PTO Drive Auger equipped with 7 Ga. (4.5 mm) flighting and tires mounted on rims.

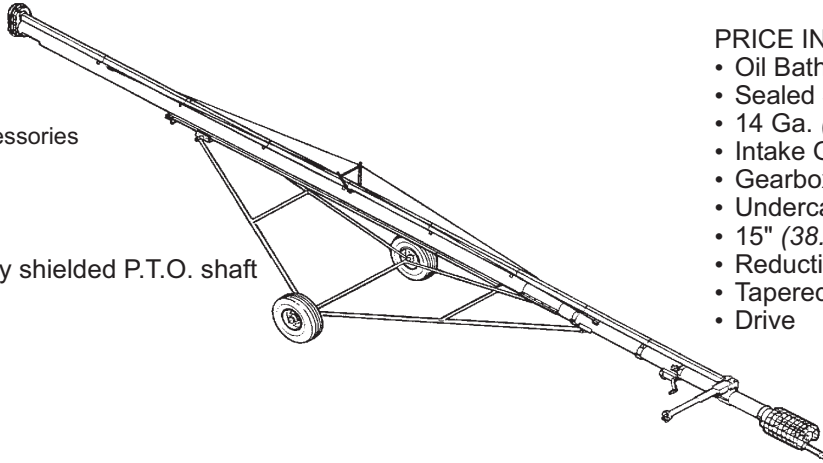
*Operating speed not to exceed 500 R.P.M.

8" GALVANIZED CENTURY II AUGER

Spouts -
see auger accessories

P.T.O. DRIVE:

- Includes fully shielded P.T.O. shaft



PRICE INCLUDES:

- Oil Bath Head Drive
- Sealed Self-Aligning Drive Shaft Bearings
- 14 Ga. (1.9 mm) **Galvanized Housing**
- Intake Guard with Hitch
- Gearbox
- Undercarriage
- 15" (38.1 cm) Rims (Less Tires)
- Reduction Winch
- Tapered Roller Wheel Bearings
- Drive

To order Hutchinson augers, add "H", i.e. H833701P; Mayrath use existing Catalog No.

CATALOG NO.	DIAMETER	LENGTH	WT.	LIST PRICE
AUGER COMPLETE WITH POWER TAKE OFF (P.T.O.) DRIVE- LESS CORN SCREENS				
833701P	8" (20.3 cm)	33' (10.06 m)	869 lbs. (394 kg)	\$ 3,682.00
841701P	8" (20.3 cm)	41' (12.5 m)	1093 lbs. (496 kg)	4,442.00
847701P	8" (20.3 cm)	47' (14.33 m)	1189 lbs. (539 kg)	5,040.00
853701P	8" (20.3 cm)	53' (16.15 m)	1386 lbs. (629 kg)	5,288.00
857701P	8" (20.3 cm)	57' (17.37 m)	1506 lbs. (683 kg)	5,760.00
859701P	8" (20.3 cm)	59' (17.98 m)	1578 lbs. (716 kg)	5,971.00
862701P	8" (20.3 cm)	62' (18.9 m)	1660 lbs. (753 kg)	6,590.00
865701P	8" (20.3 cm)	65' (19.81 m)	1944 lbs. (882 kg)	6,640.00
871701P	8" (20.3 cm)	71' (21.64 m)	2114 lbs. (959 kg)	7,770.00

Corn Screens are no longer available installed on 8" models. To order 8" Screen Kits for field installation, use part number 1001099. List price can be found in the Parts Price Book. However, Hutchinson/Mayrath strongly discourages customers from installing screens on 8" models, due to the increased chance for tube distortion during installation.

OPTIONAL EQUIPMENT

Winch Options:

110 Volt Electric Winch - Add "3" to Catalog No., i.e. 859701P3. Add \$1,850.00 to List Price.

Hydraulic Winch - Add "4" to Catalog No., i.e. 859701P4. Add \$1,475.00 to List Price.

Flight with Intermediate Flight Bearings

Add "5" to Catalog No., i.e. 859701P5. Add \$12.00/ft to List Price.

Flight Choices

1/4" (6 mm) Thick Flighting - Add "7" to Catalog No., i.e. 859701P7. Add \$5.50/ft to List Price.

TIRES -	Add Tire	Example	Add to List
	8 Standard Implement	859701P8	\$170.00
	88 Automotive Tire	859701P88	\$273.00

Drive Change Over Kits - See page 16.

2:1 Reduction Chain Drive - Add "R" to Catalog No., i.e. 859701ER. Add \$87.00 to List Price. (Electric Only)

In-Line Style - Intake Guard - Add "IG" to Catalog No., i.e. 859701PIG - N/C

Use consecutive numbers when ordering several options, i.e. 859701P458 would be a PTO Drive Auger equipped with hydraulic winch, intermediate flight bearings and tires mounted on rims.

8" GALVANIZED CENTURY II AUGER

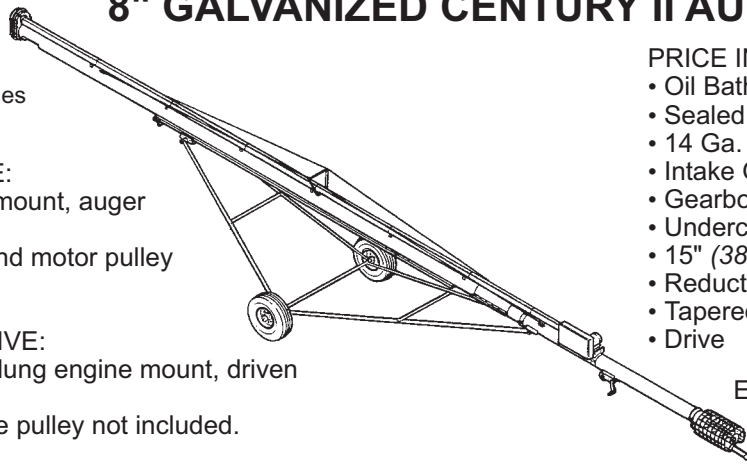
Spouts -
see auger accessories

ELECTRIC DRIVE:

- Includes motor mount, auger pulley and belts.
- Electric motor and motor pulley not included

GAS ENGINE DRIVE:

- Includes underslung engine mount, driven pulley and belts.
- Engine and drive pulley not included.



PRICE INCLUDES:

- Oil Bath Head Drive
- Sealed Self-Aligning Drive Shaft Bearings
- 14 Ga. (1.9 mm) Galvanized Housing
- Intake Guard with Hitch
- Gearbox
- Undercarriage
- 15" (38.1 cm) Rims (Less Tires)
- Reduction Winch
- Tapered Roller Wheel Bearings
- Drive

ELECTRIC DRIVE SHOWN

To order Hutchinson augers, add "H", i.e. H833701E; Mayrath use existing Catalog No.

CATALOG NO.	DIAMETER	LENGTH	WT.	LIST PRICE
AUGER COMPLETE WITH ELECTRIC MOTOR DRIVE- LESS CORN SCREENS				
833701E	8" (20.3 cm)	33' (10.06 m)	831 lbs. (377 kg)	\$ 3,455.00
841701E	8" (20.3 cm)	41' (12.5 m)	1093 lbs. (496 kg)	4,195.00
847701E	8" (20.3 cm)	47' (14.33 m)	1162 lbs. (527 kg)	4,811.00
853701E	8" (20.3 cm)	53' (16.15 m)	1347 lbs. (611 kg)	5,055.00
857701E	8" (20.3 cm)	57' (17.37 m)	1472 lbs. (668 kg)	5,675.00
859701E	8" (20.3 cm)	59' (17.98 m)	1532 lbs. (695 kg)	5,704.00
862701E	8" (20.3 cm)	62' (18.9 m)	1617 lbs. (733 kg)	6,309.00
865701E	8" (20.3 cm)	65' (19.81 m)	1909 lbs. (866 kg)	6,395.00
871701E	8" (20.3 cm)	71' (21.64 m)	2114 lbs. (959 kg)	7,484.00
<p>Corn Screens are no longer available installed on 8" models. To order 8" Screen Kits for field installation, use part number 1001099. List price can be found in the Parts Price Book. However, Hutchinson/Mayrath strongly discourages customers from installing screens on 8" models, due to the increased chance for tube distortion during installation.</p>				
AUGER COMPLETE WITH UNDERSLUNG GAS ENGINE MOUNT				
833703G	8" (20.3 cm)	33' (10.06 m)	875 lbs. (397 kg)	3,986.00
841703G	8" (20.3 cm)	41' (12.5 m)	1105 lbs. (501 kg)	4,851.00
847703G	8" (20.3 cm)	47' (14.33 m)	1195 lbs. (542 kg)	5,311.00

OPTIONAL EQUIPMENT

Winch Options:

110 Volt Electric Winch - Add "3" to Catalog No., i.e. 859701E3. Add \$1,850.00 to List Price.

Hydraulic Winch - Add "4" to Catalog No., i.e. 859701E4. Add \$1,475.00 to List Price.

Intermediate Flight Bearings - Add "5" to Catalog No., i.e. 859701E5. Add \$12.00/ft to List Price.

Flight Choices

1/4" (6 mm) Thick Flighting - Add "7" to Catalog No., i.e. 859701E7. Add \$5.50/ft to List Price.

TIRES -	Add Tire	Example	Add to List
8	Standard Implement	859701E8	\$170.00
88	Automotive Tire	859701E88	\$273.00

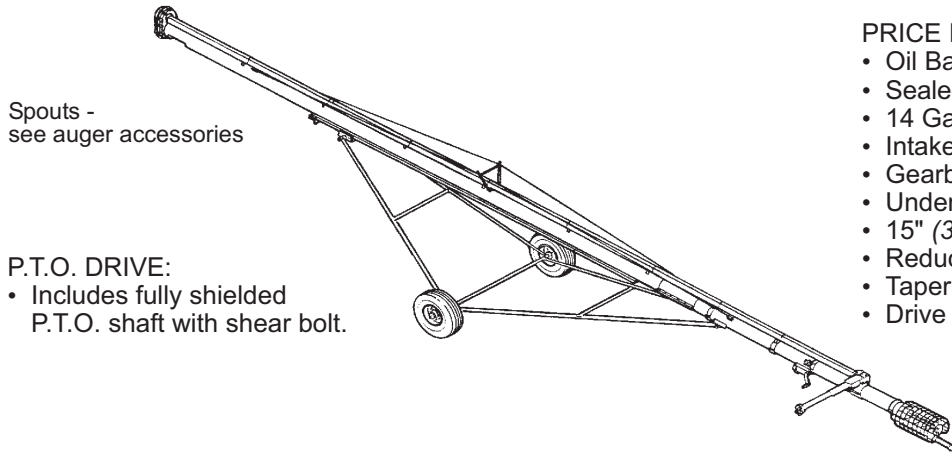
Drive Change Over Kits - See page 16.

2:1 Reduction Chain Drive - Add "R" to Catalog No., i.e. 859701ER. Add \$87.00 to List Price. (Electric Only)

In-Line Style - Intake Guard - Add "IG" to Catalog No., i.e. 859701PIG - N/C

Use consecutive numbers when ordering several options, i.e. 859701E458 would be an Electric Drive Auger equipped with hydraulic winch, intermediate flight bearings and tires mounted on rims.

8" AMERICAN - PAINTED AUGER



PRICE INCLUDES:

- Oil Bath Head Drive
- Sealed Self-Aligning Drive Shaft Bearings
- 14 Ga. (1.9 mm) **Painted Housing**
- Intake Guard with Hitch
- Gearbox
- Undercarriage
- 15" (38.1 cm) Rims (Less Tires)
- Reduction Winch
- Tapered Roller Wheel Bearings
- Drive

To order Hutchinson augers, add "H", i.e. H833700P; Mayrath use existing Catalog No.

CATALOG NO.	DIAMETER	LENGTH	WT. - LBS.	LIST PRICE
AUGER COMPLETE WITH POWER TAKE OFF (P.T.O.) DRIVE - LESS CORN SCREENS				
833700P	8" (20.3 cm)	33' (10.6 m)	869 lbs. (394 kg)	\$ 3,682.00
841700P	8" (20.3 cm)	41' (12.5 m)	1093 lbs. (496 kg)	4,442.00
847700P	8" (20.3 cm)	47' (14.33 m)	1189 lbs. (539 kg)	5,040.00
853700P	8" (20.3 cm)	53' (16.15 m)	1386 lbs. (629 kg)	5,288.00
857700P	8" (20.3 cm)	57' (17.37 m)	1506 lbs. (683 kg)	5,760.00
859700P	8" (20.3 cm)	59' (17.98 m)	1578 lbs. (716 kg)	5,971.00
862700P	8" (20.3 cm)	62' (18.9 m)	1660 lbs. (753 kg)	6,590.00
865700P	8" (20.3 cm)	65' (19.81 m)	1944 lbs. (882 kg)	6,640.00
871700P	8" (20.3 cm)	71' (21.64 m)	2114 lbs. (959 kg)	7,770.00

Corn Screens are no longer available installed on 8" models. To order 8" Screen Kits for field installation, use part number 1001099. List price can be found in the Parts Price Book. However, Hutchinson/Mayrath strongly discourages customers from installing screens on 8" models, due to the increased chance for tube distortion during installation.

OPTIONAL EQUIPMENT

Winch Options:

110 Volt Electric Winch - Add "3" to Catalog No., i.e. 859700P3. Add \$1,850.00 to List Price.

Hydraulic Winch - Add "4" to Catalog No., i.e. 859700P4. Add \$1,475.00 to List Price.

TIRES -	Add	Tire	Example	Add to List
	8	Standard Implement	859700P8	\$170.00
	88	Automotive Tire	859700P88	\$273.00

Drive Change Over Kits - See page 16.

Use consecutive numbers when ordering several options. i.e. 859700P48 would be an auger equipped with hydraulic winch and tires mounted on rims.

8" AMERICAN - PAINTED AUGER

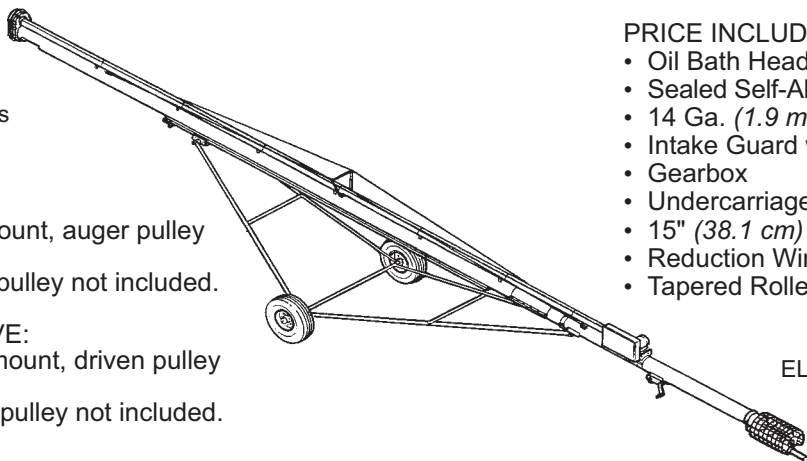
Spouts -
see auger accessories

ELECTRIC DRIVE:

- Includes motor mount, auger pulley and belts.
- Motor and motor pulley not included.

GAS ENGINE DRIVE:

- Includes engine mount, driven pulley and belts.
- Engine and drive pulley not included.



PRICE INCLUDES:

- Oil Bath Head Drive
- Sealed Self-Aligning Drive Shaft Bearings
- 14 Ga. (1.9 mm) **Painted Housing**
- Intake Guard with Hitch
- Gearbox
- Undercarriage
- 15" (38.1 cm) Rims (Less Tires)
- Reduction Winch
- Tapered Roller Wheel Bearings

ELECTRIC DRIVE SHOWN

To order Hutchinson augers, add "H", i.e. H833700E; Mayrath use existing Catalog No.

CATALOG NO.	DIAMETER	LENGTH	WT.	LIST PRICE
AUGER COMPLETE WITH ELECTRIC MOTOR DRIVE- LESS CORN SCREENS				
833700E	8" (20.3 cm)	33' (10.06 m)	831 lbs. (377 kg)	\$ 3,455.00
841700E	8" (20.3 cm)	41' (12.5 m)	1062 lbs. (482 kg)	4,195.00
847700E	8" (20.3 cm)	47' (14.33 m)	1162 lbs. (527 kg)	4,811.00
853700E	8" (20.3 cm)	53' (16.15 m)	1347 lbs. (611 kg)	5,005.00
857700E	8" (20.3 cm)	57' (17.37 m)	1472 lbs. (668 kg)	5,675.00
859700E	8" (20.3 cm)	59' (17.98 m)	1532 lbs. (695 kg)	5,704.00
862700E	8" (20.3 cm)	62' (18.9 m)	1617 lbs. (733 kg)	6,309.00
865700E	8" (20.3 cm)	65' (19.81 m)	1909 lbs. (866 kg)	6,395.00
871700E	8" (20.3 cm)	71' (21.64 m)	2061 lbs. (935 kg)	7,484.00
<p>Corn Screens are no longer available installed on 8" models. To order 8" Screen Kits for field installation, use part number 1001099. List price can be found in the Parts Price Book. However, Hutchinson/Mayrath strongly discourages customers from installing screens on 8" models, due to the increased chance for tube distortion during installation.</p>				
AUGER COMPLETE WITH UNDERSLUNG GAS ENGINE MOUNT				
833702G	8" (20.3 cm)	33' (10.06 m)		3,986.00
841702G	8" (20.3 cm)	41' (12.5 m)		4,851.00
847702G	8" (20.3 cm)	47' (14.33 m)		5,311.00

OPTIONAL EQUIPMENT

Winch Options:

110 Volt Electric Winch - Add "3" to Catalog No., i.e. 859700P3. Add \$1,850.00 to List Price.

Hydraulic Winch - Add "4" to Catalog No., i.e. 859700P4. Add \$1,475.00 to List Price.

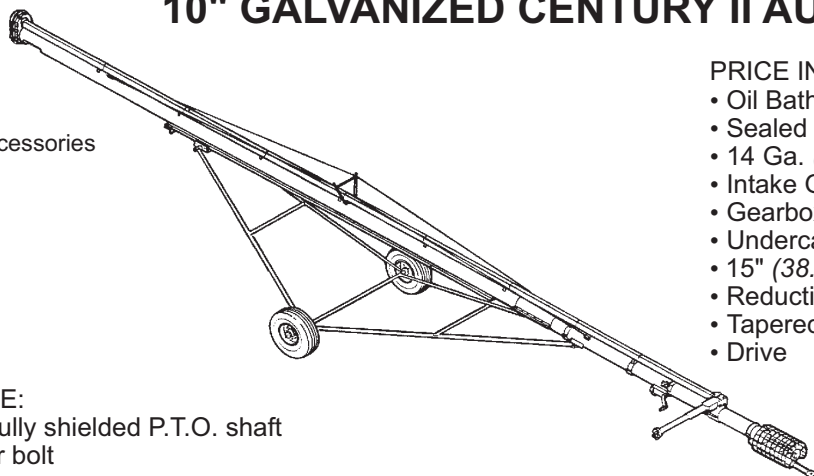
TIRES -	Add	Tire	Example	Add to List
	8	Standard Implement	859700E8	\$170.00
	88	Automotive Tire	859700E88	\$273.00

Drive Change Over Kits - See page 16.

Use consecutive numbers when ordering several options. i.e. 859700E48 would be an Electric Drive Auger equipped with hydraulic winch and tires mounted on rims.

10" GALVANIZED CENTURY II AUGER

Spouts -
see auger accessories



PRICE INCLUDES:

- Oil Bath Head Drive
- Sealed Self-Aligning Drive Shaft Bearings
- 14 Ga. (1.9 mm) **Galvanized Housing**
- Intake Guard with Hitch
- Gearbox
- Undercarriage
- 15" (38.1 cm) Rims (Less Tires)
- Reduction Winch
- Tapered Roller Wheel Bearings
- Drive

P.T.O. DRIVE:

- Includes fully shielded P.T.O. shaft with shear bolt

To order Hutchinson augers, add "H", i.e. H1031701P; Mayrath use existing Catalog No.

CATALOG NO.	DIAMETER	LENGTH	WT.	LIST PRICE
AUGER COMPLETE WITH POWER TAKE OFF (P.T.O.) DRIVE- LESS CORN SCREENS				
1031701P	10" (25.4 cm)	31' (9.45 m)	1102 lbs. (500 kg)	\$ 4,680.00
1035701P	10" (25.4 cm)	35' (10.67 m)	1260 lbs. (572kg)	5,290.00
1041701P	10" (25.4 cm)	41' (12.5 m)	1505 lbs. (683 kg)	5,740.00
1051701P	10" (25.4 cm)	51' (15.54 m)	1930 lbs. (875 kg)	6,558.00
1057701P	10" (25.4 cm)	57' (17.37 m)	2270 lbs. (1030 kg)	7,386.00
1061701P	10" (25.4 cm)	61' (18.59 m)	2498 lbs. (1133 kg)	7,961.00
1065701P	10" (25.4 cm)	65' (19.81 m)	2780 lbs. (1261 kg)	8,751.00
1071701P	10" (25.4 cm)	71' (21.64 m)	3196 lbs. (1450 kg)	9,501.00

Corn Screens are no longer available installed in the auger. To order 10" Screen Kits for field installation, use part number 1001100. List price can be found in the Parts Price Book.

OPTIONAL EQUIPMENT

Winch Options

110 Volt Electric Winch - Add "3" to Catalog No., i.e. 1061701P3. Add \$1,850.00 to List Price.

Hydraulic Winch - Add "4" to Catalog No., i.e. 1061701P4. Add \$1,475.00 to List Price.

* **Intermediate Flight Bearings**

Add "5" to Catalog No., i.e. 1061701P5. Add \$15.00/ft to List Price.

* 1/4" (6 mm) Thick Flighting - Add "7" to Catalog No., i.e. 1061701P7. Add \$5.50/ft to List Price.

TIRES -	Add Tire	Example	Add to List
	8 Standard Implement	1061701P8	\$170.00
	88 Automotive Tire	1061701P88	\$273.00

12 Ga. (2.66 mm) Housing -

Add "9" to Catalog No., i.e. 1061701P9. Add \$9.50/ft to List Price.

Drive Change Over Kits - See page 16.

In-Line Style Intake Guard - Add "IG" to Catalog No., i.e. 1061701PIG - N/C

Use consecutive numbers when ordering several options. i.e. 1061701P458 would be a PTO Drive Auger equipped with hydraulic winch, intermediate flight bearings and tires mounted on rims.

* Flight will be mounted on 2 3/8" O.D. Flight Shaft.

10" GALVANIZED CENTURY II AUGER

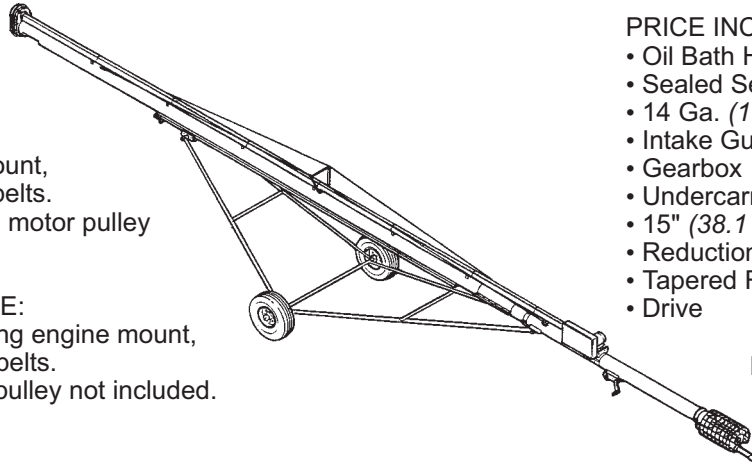
Spouts -
see auger accessories

ELECTRIC DRIVE:

- Includes motor mount, auger pulley and belts.
- Electric motor and motor pulley not included.

GAS ENGINE DRIVE:

- Includes underslung engine mount, driven pulley and belts.
- Engine and drive pulley not included.



PRICE INCLUDES:

- Oil Bath Head Drive
- Sealed Self-Aligning Drive Shaft Bearings
- 14 Ga. (1.9 mm) **Galvanized Housing**
- Intake Guard with Hitch
- Gearbox
- Undercarriage
- 15" (38.1 cm) Rims (Less Tires)
- Reduction Winch
- Tapered Roller Wheel Bearings
- Drive

ELECTRIC DRIVE SHOWN

To order Hutchinson augers, add "H", i.e. H1031701E; Mayrath use existing Catalog No.

CATALOG NO.	DIAMETER	LENGTH	WT.	LIST PRICE
AUGER COMPLETE WITH ELECTRIC MOTOR DRIVE- LESS CORN SCREENS				
1031701E	10" (25.4 cm)	31' (9.45 m)	1071 lbs. (486 kg)	\$ 4,441.00
1035701E	10" (25.4 cm)	35' (10.67 m)	1245 lbs. (565 kg)	4,995.00
1041701E	10" (25.4 cm)	41' (12.5 m)	1489 lbs. (675 kg)	5,522.00
1051701E	10" (25.4 cm)	51' (15.54 m)	1905 lbs. (864 kg)	6,319.00
1057701E	10" (25.4 cm)	57' (17.37 m)	2260 lbs. (1025 kg)	7,357.00
1061701E	10" (25.4 cm)	61' (18.59 m)	2493 lbs. (1131 kg)	7,927.00
1065701E	10" (25.4 cm)	65' (19.81 m)	2775 lbs. (1259 kg)	8,564.00
1071701E	10" (25.4 cm)	71' (21.64 m)	3184 lbs. (1444 kg)	9,486.00
Corn Screens are no longer available installed in the auger. To order 10" Screen Kits for field installation, use part number 1001100. List price can be found in the Parts Price Book.				
AUGER COMPLETE WITH UNDERSLUNG GAS ENGINE MOUNT				
1031703G	10" (25.4 cm)	31' (9.45 m)	1071 lbs. (486 kg)	4,822.00
1041703G	10" (25.4 cm)	41' (12.5 m)	1489 lbs. (675 kg)	6,078.00
1051703GR	10" (25.4 cm)	51' (15.54 m)	1905 lbs. (864 kg)	7,250.00

OPTIONAL EQUIPMENT

Winch Options

110 Volt Electric Winch - Add "3" to Catalog No., i.e. 1061701E3. Add \$1,850.00 to List Price.

Hydraulic Winch - Add "4" to Catalog No., i.e. 1061701E4. Add \$1,475.00 to List Price.

* **Intermediate Flight Bearings**

Add "5" to Catalog No., i.e. 1061701E5. Add \$15.00/ft to List Price.

* **1/4" (6 mm) Thick Flighting** - Add "7" to Catalog No., i.e. 1061701E7. Add \$5.50/ft to List Price.

TIRES -

Add Tire	Example	Add to List
8 Standard Implement	1061701E8	\$170.00
88 Automotive Tire	1061701E88	\$273.00

12 Ga. (2.66 mm) Housing -

Add "9" to Catalog No., i.e. 1061701E9. Add \$9.50/ft. to List Price.

Drive Change Over Kits - See page 16.

2:1 Reduction Chain Drive (Electric Only) - Add "R" to Catalog No., i.e. 1061701ER - Add \$87.00 to List Price.

In-Line Style Intake Guard - Add "IG" to Catalog No., i.e. 1061701PIG - N/C

Use consecutive numbers when ordering several options. i.e. 1061701E458 would be an Electric Drive Auger equipped with hydraulic winch, intermediate flight bearings and tires mounted on rims.

* Flight will be mounted on 2 3/8" O.D. Flight Shaft.

10" AMERICAN - PAINTED AUGER

Spouts - see auger accessories

P.T.O. DRIVE:

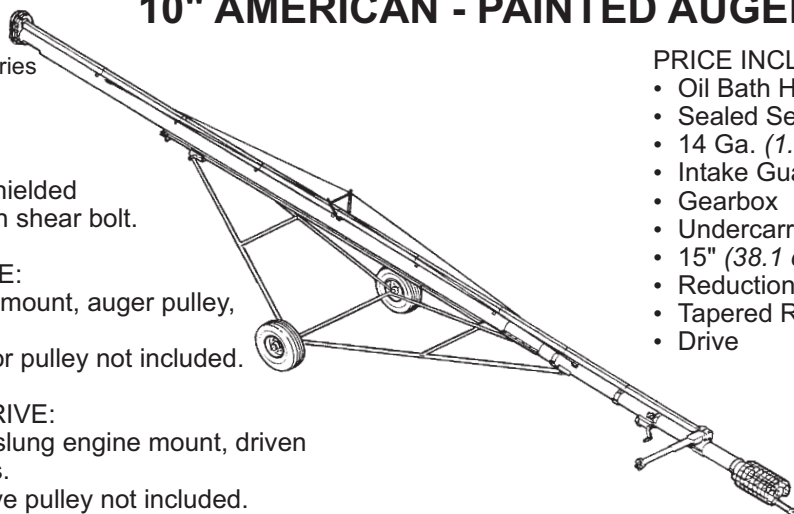
- Includes fully shielded P.T.O. shaft with shear bolt.

ELECTRIC DRIVE:

- Includes motor mount, auger pulley, and belts.
- Motor and motor pulley not included.

GAS ENGINE DRIVE:

- Includes underslung engine mount, driven pulley and belts.
- Engine and drive pulley not included.



PTO DRIVE SHOWN

PRICE INCLUDES:

- Oil Bath Head Drive
- Sealed Self-Aligning Drive Shaft Bearings
- 14 Ga. (1.9 mm) Painted Housing
- Intake Guard with Hitch
- Gearbox
- Undercarriage
- 15" (38.1 cm) Rims (Less Tires)
- Reduction Winch
- Tapered Roller Wheel Bearings
- Drive

To order Hutchinson augers, add "H", i.e. H1031700P; Mayrath use existing Catalog No.

CATALOG NO.	DIAMETER	LENGTH	WT.	LIST PRICE
AUGER COMPLETE WITH POWER TAKE OFF (P.T.O.) DRIVE - LESS CORN SCREENS				
1031700P	10" (25.4 cm)	31' (9.45 m)	1102 lbs. (500 kg)	\$ 4,680.00
1035700P	10" (25.4 cm)	35' (10.67 m)	1260 lbs. (572 kg)	5,290.00
1041700P	10" (25.4 cm)	41' (12.5 m)	1505 lbs. (683 kg)	5,740.00
1051700P	10" (25.4 cm)	51' (15.54 m)	1930 lbs. (875 kg)	6,558.00
1061700P	10" (25.4 cm)	61' (18.59 m)	2498 lbs. (1133 kg)	7,386.00
AUGER COMPLETE WITH ELECTRIC MOTOR DRIVE - LESS CORN SCREENS				
1031700E	10" (25.4 cm)	31' (9.45 m)	1071 lbs. (486 kg)	4,441.00
1035700E	10" (25.4 cm)	35' (10.67 m)	1245 lbs. (565 kg)	4,995.00
1041700E	10" (25.4 cm)	41' (12.5 m)	1489 lbs. (675 kg)	5,522.00
1051700E	10" (25.4 cm)	51' (15.54 m)	1905 lbs. (864 kg)	6,319.00
1061700E	10" (25.4 cm)	61' (18.59 m)	2493 lbs. (1131 kg)	7,927.00
Corn Screens are no longer available installed in the auger. To order 10" Screen Kits for field installation, use part number 1001100. List price can be found in the Parts Price Book.				
AUGER COMPLETE WITH UNDERSLUNG GAS ENGINE MOUNT				
1031702G	10" (25.4 cm)	31' (9.45 m)	1071 lbs. (486 kg)	4,822.00

OPTIONAL EQUIPMENT

Winch Options:

110 Volt Electric Winch - Add "3" to Catalog No., i.e. 1061700P3. Add \$1,850.00 to List Price.

Hydraulic Winch - Add "4" to Catalog No., i.e. 1061700P4. Add \$1,475.00 to List Price.

TIRES -	Add Tire	Example	Add to List
	8 Standard Implement	1061700P8	\$170.00
	88 Automotive Tire	1061700P88	\$273.00

Drive Change Over Kits - See page 16.

Use consecutive numbers when ordering several options. i.e. 1061700P48 would be a PTO Drive Auger equipped with hydraulic winch, and tires mounted on rims.

12" GALVANIZED CENTURY II AUGER

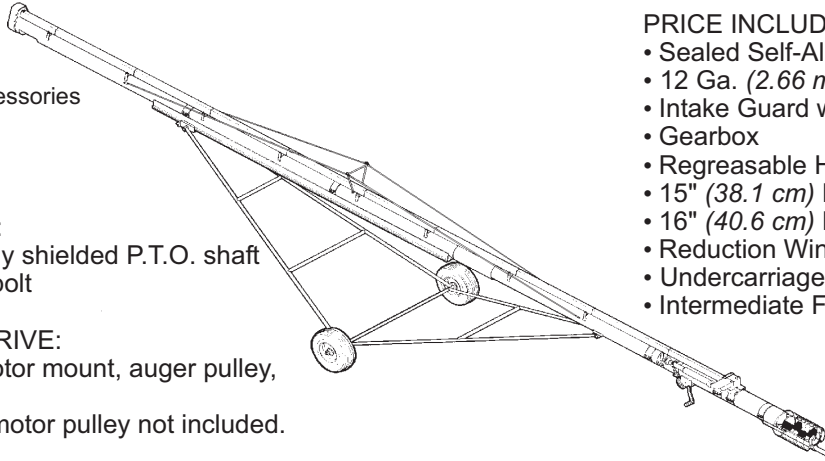
Spouts -
see auger accessories

P.T.O. DRIVE:

- Includes fully shielded P.T.O. shaft with shear bolt

ELECTRIC DRIVE:

- Includes motor mount, auger pulley, and belt
- Motor and motor pulley not included.



PRICE INCLUDES:

- Sealed Self-Aligning Drive Shaft Bearings
- 12 Ga. (2.66 mm) Galvanized Housing
- Intake Guard with Hitch
- Gearbox
- Regreasable Head Bearings
- 15" (38.1 cm) Rims (Less Tires)
- 16" (40.6 cm) Rims on 71' & 81' (Less Tires)
- Reduction Winch (Hydraulic Winch on 71' & 81')
- Undercarriage
- Intermediate Flight Bearings

PTO DRIVE SHOWN

To order Hutchinson augers, add "H", i.e. H1231701P; Mayrath use existing Catalog No.

CATALOG NO.	DIAMETER	LENGTH	WT.	LIST PRICE
AUGER COMPLETE WITH POWER TAKE OFF (P.T.O.) DRIVE				
1231701P	12" (30.5 cm)	31' (9.45 m)	1685 lbs. (764 kg)	\$ 8,289.00
1241701P	12" (30.5 cm)	41' (12.5 m)	2282 lbs. (1035 kg)	10,549.00
1251701P	12" (30.5 cm)	51' (15.54 m)	2798 lbs. (1269 kg)	12,229.00
1261701P	12" (30.5 cm)	61' (18.59 m)	3620 lbs. (1642 kg)	14,731.00
1265701P	12" (30.5 cm)	65' (19.81 m)	3748 lbs. (1700 kg)	15,607.00
1271701P	12" (30.5 cm)	71' (21.64 m)	4955 lbs. (2247 kg)	21,578.00
1281701P	12" (30.5 cm)	81' (24.69 m)	5644 lbs. (2560 kg)	24,245.00
AUGER COMPLETE WITH ELECTRIC MOTOR DRIVE				
1231701E	12" (30.5 cm)	31' (9.45 m)	1690 lbs. (767 kg)	8,125.00
1241701E	12" (30.5 cm)	41' (12.5 m)	2292 lbs. (1040 kg)	10,283.00
1251701E	12" (30.5 cm)	51' (15.54 m)	2793 lbs. (1267 kg)	11,921.00
1261701E	12" (30.5 cm)	61' (18.59 m)	3597 lbs. (1632 kg)	14,364.00
1265701E	12" (30.5 cm)	65' (19.81 m)	3706 lbs. (1681 kg)	15,192.00
1271701E	12" (30.5 cm)	71' (21.64 m)	4927 lbs. (2235 kg)	21,326.00
1281701E	12" (30.5 cm)	81' (24.69 m)	5658 lbs. (2566 kg)	24,100.00

OPTIONAL EQUIPMENT

Winch Options

110 Volt Electric Winch - Add "3" to Catalog No., i.e. 1261701P3. Add \$1,850.00 to List Price.

Available on 51', 61' and 65' lengths only.

Hydraulic Winch - Add "4" to Catalog No., i.e. 1261701P4. Add \$1,475.00 to List Price.

1/4" (6 mm) Thick Flighting -

Add "7" to Catalog No., i.e. 1261701P7. Add \$8.00/ft to List Price.

3/8" (10 mm) Thick Flighting -

Add "77" to Catalog No., i.e. 1261701P77. Add \$11.50/ft to List Price.

In-Line Style Intake Guard - Add "IG" to Catalog No., i.e. 1261701PIG. N/C

Tires Mounted on Rims -

Add "8" to Catalog No., i.e. 1261701P8. Add \$170.00 to List Price for 12" x 31'.

Add \$550.00 to List Price for 12" x 41' through 81'.

Drive Change Over Kits - See page 16.

Use consecutive numbers when ordering several options. i.e. 1261701P48 would be a PTO Drive Auger equipped with hydraulic winch and tires mounted on rims.

12" AMERICAN - PAINTED AUGER

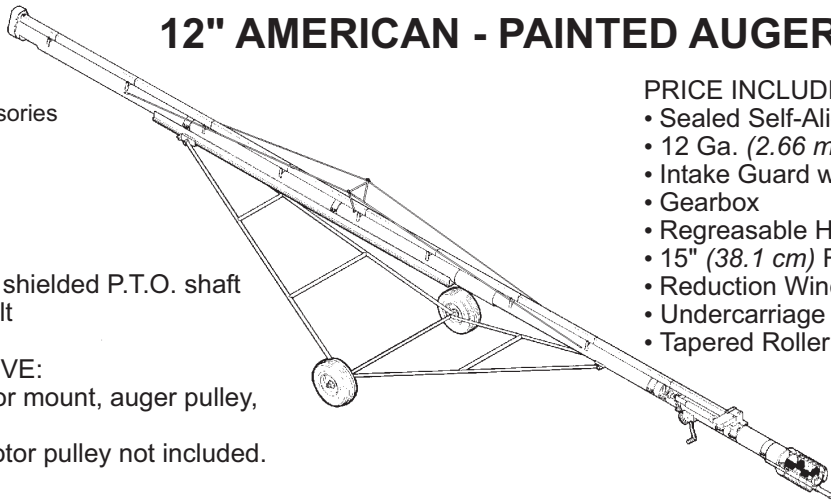
Spouts -
see auger accessories

P.T.O. DRIVE:

- Includes fully shielded P.T.O. shaft with shear bolt

ELECTRIC DRIVE:

- Includes motor mount, auger pulley, and belt
- Motor and motor pulley not included.



PRICE INCLUDES:

- Sealed Self-Aligning Drive Shaft Bearings
- 12 Ga. (2.66 mm) **Painted Housing**
- Intake Guard with Hitch
- Gearbox
- Regreasable Head Bearings
- 15" (38.1 cm) Rims (Less Tires)
- Reduction Winch
- Undercarriage
- Tapered Roller Wheel Bearings

PTO DRIVE SHOWN

To order Hutchinson augers, add "H", i.e. H1231700P; Mayrath use existing Catalog No.

CATALOG NO.	DIAMETER	LENGTH	WT.	LIST PRICE
AUGER COMPLETE WITH POWER TAKE OFF (P.T.O.) DRIVE				
1231700P	12" (30.5 cm)	31' (9.45 m)	1685 lbs. (764 kg)	\$ 7,750.00
1241700P	12" (30.5 cm)	41' (12.5 m)	2282 lbs. (1035 kg)	9,837.00
1251700P	12" (30.5 cm)	51' (15.54 m)	2798 lbs. (1269 kg)	11,343.00
1261700P	12" (30.5 cm)	61' (18.59 m)	3620 lbs. (1642 kg)	13,671.00
1265700P	12" (30.5 cm)	65' (19.81 m)	3748 lbs. (1700 kg)	14,479.00
AUGER COMPLETE WITH ELECTRIC MOTOR DRIVE				
1231700E	12" (30.5 cm)	31' (9.45 m)	1690 lbs. (767 kg)	7,586.00
1241700E	12" (30.5 cm)	41' (12.5 m)	2292 lbs. (1040 kg)	9,571.00
1251700E	12" (30.5 cm)	51' (15.54 m)	2793 lbs. (1267 kg)	11,034.00
1261700E	12" (30.5 cm)	61' (18.59 m)	3597 lbs. (1632 kg)	13,305.00
1265700E	12" (30.5 cm)	65' (19.81 m)	3706 lbs. (1681 kg)	14,063.00

OPTIONAL EQUIPMENT

Winch Options

110 Volt Electric Winch - Add **"3"** to Catalog No., i.e. 1261701P3. Add \$1,850.00 to List Price.

Available on 51', 61' and 65' lengths only.

Hydraulic Winch - Add **"4"** to Catalog No., i.e. 1261701P4. Add \$1,475.00 to List Price.

Intermediate Flight Bearings

Add **"5"** to Catalog No., i.e. 1261700P5. Add \$21.00/ft. to List Price.

Tires Mounted on Rims -

Add **"8"** to Catalog No., i.e. 1261701P8. Add \$170.00 to List Price for 12" x 31'.

Add \$550.00 to List Price for 12" x 41' through 81'.

Drive Change Over Kits - See page 16.

Use consecutive numbers when ordering several options. i.e. 1261700P48 would be a PTO Drive Auger equipped with hydraulic winch and tires mounted on rims.

CENTURY II & AMERICAN DRIVE CHANGE OVER KITS

TD and TD-PLUS Augers are sold complete with drive. The following kits are offered should the need arise to change from one drive type to another. All parts necessary for changeover are included. (Gas Engine Drive changeover kits not available.)

MODEL	CATALOG NO. PTO DR.	WT.	LIST PRICE*	CATALOG NO. ELECTRIC DR.	WT.	LIST PRICE*
6" x 31'	631711P	51 lbs. (23 kg)	\$ 679.00	631711E	43 lbs. (20 kg)	\$385.00
6" x 41'	641711P	59 lbs. (27 kg)	737.00	641711E	50 lbs. (23 kg)	466.00
6" x 51'	651711P	70 lbs. (32 kg)	746.00	651711E	50 lbs. (23 kg)	529.00
6" x 61'	661711P	75 lbs. (34 kg)	676.00	661711E	53 lbs. (24 kg)	392.00
8" x 33'	833711P	80 lbs. (36 kg)	658.00	833711E	42 lbs. (19 kg)	405.00
8" x 41'	841711P	73 lbs. (33 kg)	702.00	841711E	42 lbs. (19 kg)	422.00
8" x 47'	847711P	80 lbs. (36 kg)	637.00	847711E	53 lbs. (24 kg)	463.00
8" x 53'	853711P	78 lbs. (35 kg)	653.00	853711E	39 lbs. (18 kg)	392.00
8" x 57'	857711P	80 lbs. (36 kg)	687.00	857711E	46 lbs. (21 kg)	445.00
8" x 59'	859711P	93 lbs. (42 kg)	737.00	859711E	47 lbs. (21 kg)	454.00
8" x 62'	862711P	87 lbs. (39 kg)	725.00	862711E	44 lbs. (20 kg)	450.00
8" x 65'	865711P	78 lbs. (35 kg)	675.00	865711E	45 lbs. (20 kg)	440.00
8" x 71'	871711P	98 lbs. (44 kg)	739.00	871711E	46 lbs. (21 kg)	450.00
10" x 31'	1031711P	59 lbs. (27 kg)	712.00	1031711E	68 lbs. (31 kg)	446.00
10" x 41'	1041711P	68 lbs. (31 kg)	683.00	1041711E	72 lbs. (33 kg)	462.00
10" x 51'	1051711P	84 lbs. (38 kg)	772.00	1051711E	96 lbs. (44 kg)	526.00
10" x 57'	1057711P	91 lbs. (41 kg)	729.00	1057711E	93 lbs. (42 kg)	599.00
10" x 61'	1061711P	86 lbs. (39 kg)	691.00	1061711E	92 lbs. (42 kg)	590.00
10" x 65'	1065711P	100 lbs. (45 kg)	770.00	1065711E	94 lbs. (43 kg)	597.00
10" x 71'	1071711P	95 lbs. (43 kg)	751.00	1071711E	94 lbs. (43 kg)	597.00
12" x 31'	1231711P	93 lbs. (42 kg)	841.00	1231711E	100 lbs. (45 kg)	482.00
12" x 41'	1241711P	95 lbs. (43 kg)	1,000.00	1241711E	105 lbs. (48 kg)	662.00
12" x 51'	1251711P	105 lbs. (48 kg)	1,067.00	1251711E	100 lbs. (45 kg)	608.00
12" x 61'	1261711P	128 lbs. (58 kg)	1,105.00	1261711E	105 lbs. (48 kg)	662.00
12" x 65'	1265711P	161 lbs. (73 kg)	1,270.00	1265711E	119 lbs. (54 kg)	752.00
12" x 71'	1271711P	157 lbs. (71 kg)	1,192.00	1271711E	129 lbs. (59 kg)	760.00
12" x 81'	1281711P	110 lbs. (50 kg)	1,229.00	1281711E	124 lbs. (56 kg)	760.00